

# SDH

## STRATEGOS® ROOFTOP UNITS

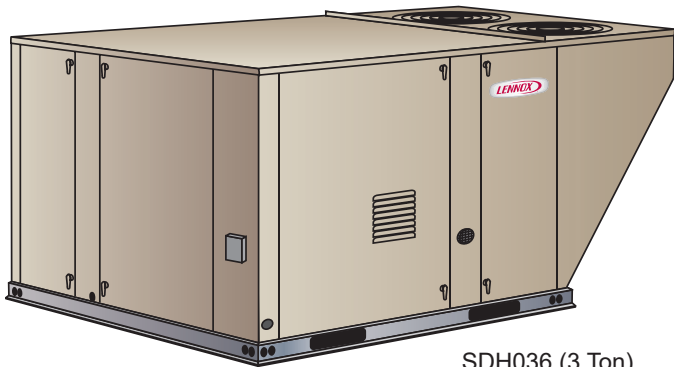
Ultra-High Efficiency | Dual-Fuel | Lennox® CORE Controller | **R-454B** | 60Hz



### COMMERCIAL PRODUCT SPECIFICATIONS (EHB)

3 to 20 Tons

Net Cooling Capacity - 36,000 to 230,000 Btuh  
Net Heating Capacity - 34,000 to 230,000 Btuh  
Gas Input Heat Capacity - 70,000 to 480,000 Btuh



SDH036 (3 Ton)  
SDH060 (5 Ton)



SDH092 (7.5 Ton)  
SDH120 (10 Ton)

### SMART WIRE™ SYSTEM



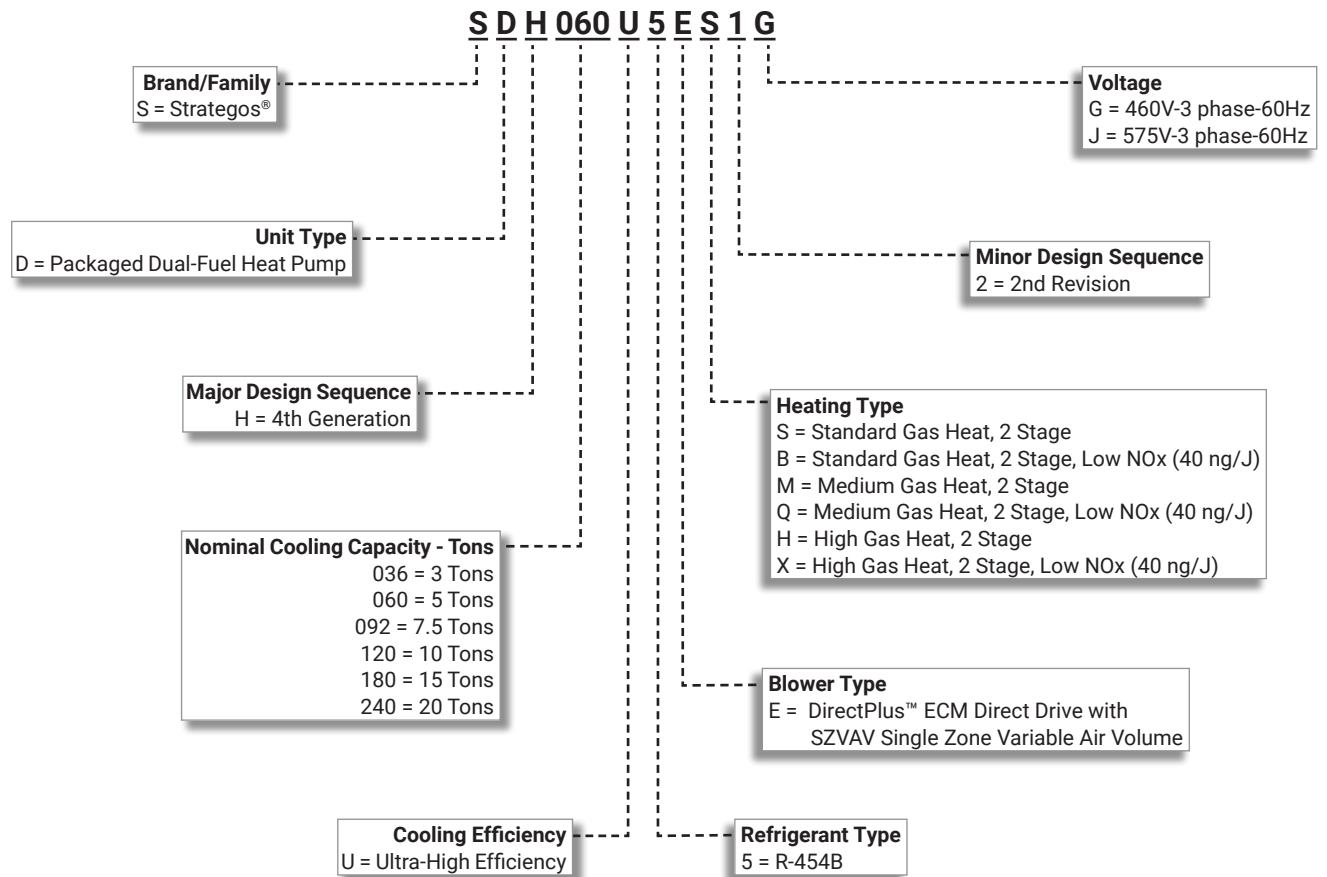
ASHRAE  
Standard  
**90.1**



SDH180 (15 Ton)  
SDH240 (20 Ton)



## MODEL NUMBER IDENTIFICATION

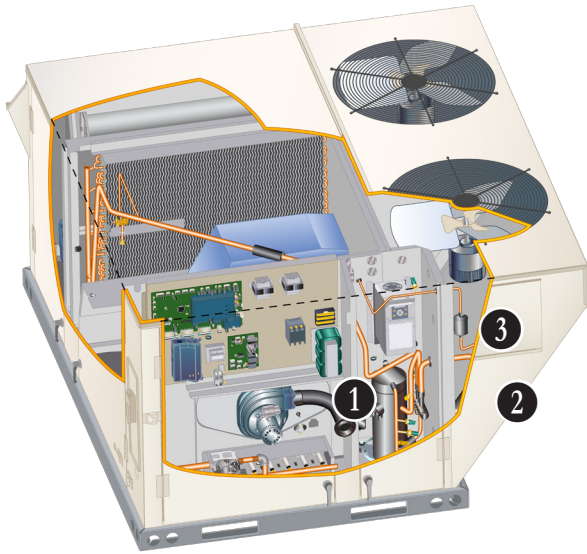


## CONTENTS

|                                       |    |
|---------------------------------------|----|
| Approvals And Warranty . . . . .      | 4  |
| Blower Data . . . . .                 | 23 |
| Control System . . . . .              | 9  |
| Cooling / Heating Ratings . . . . .   | 20 |
| Dimensions - Accessories . . . . .    | 35 |
| Dimensions - Unit . . . . .           | 32 |
| - SDH036U   SDH060U . . . . .         | 32 |
| - SDH092U   SDH120U . . . . .         | 33 |
| - SDH180U   SDH240U . . . . .         | 34 |
| Electrical Data . . . . .             | 28 |
| Features And Benefits . . . . .       | 4  |
| Model Number Identification . . . . . | 2  |
| Options / Accessories . . . . .       | 12 |
| Outdoor Sound Data . . . . .          | 30 |
| Specifications . . . . .              | 15 |
| - 3 Ton   5 Ton . . . . .             | 15 |
| - 7.5 Ton   10 Ton . . . . .          | 16 |
| - 15 Ton   20 Ton . . . . .           | 17 |
| Specifications - Gas Heat . . . . .   | 18 |
| Unit Clearances . . . . .             | 30 |
| Weight Data . . . . .                 | 31 |

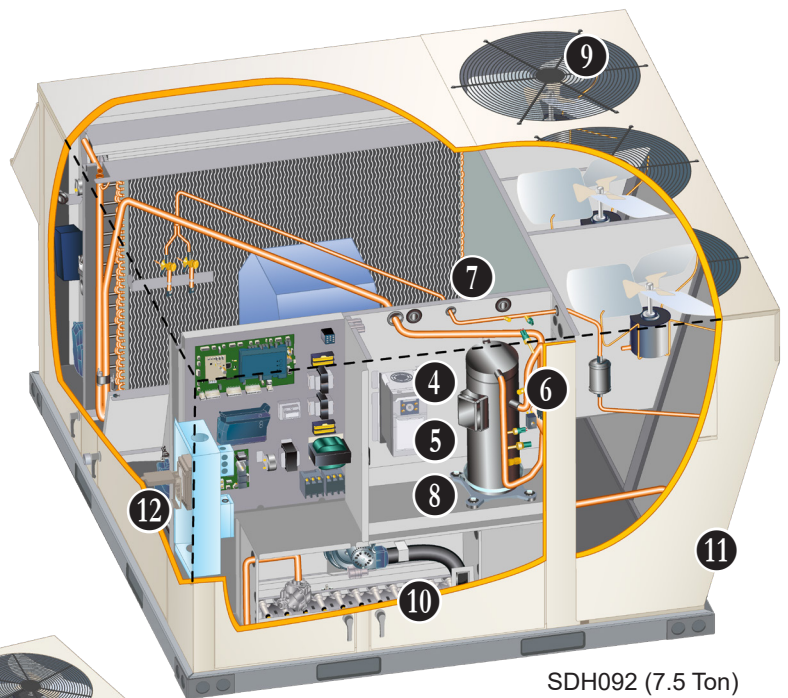
## FEATURE HIGHLIGHTS

Lennox' Strategos® packaged rooftop unit product line was created to save energy with intelligence by offering some of the highest energy efficiency ratings available with a powerful, easy to use unit controller. This makes Strategos® rooftop units perfect for business owners looking for an HVAC product with the lowest total cost of ownership



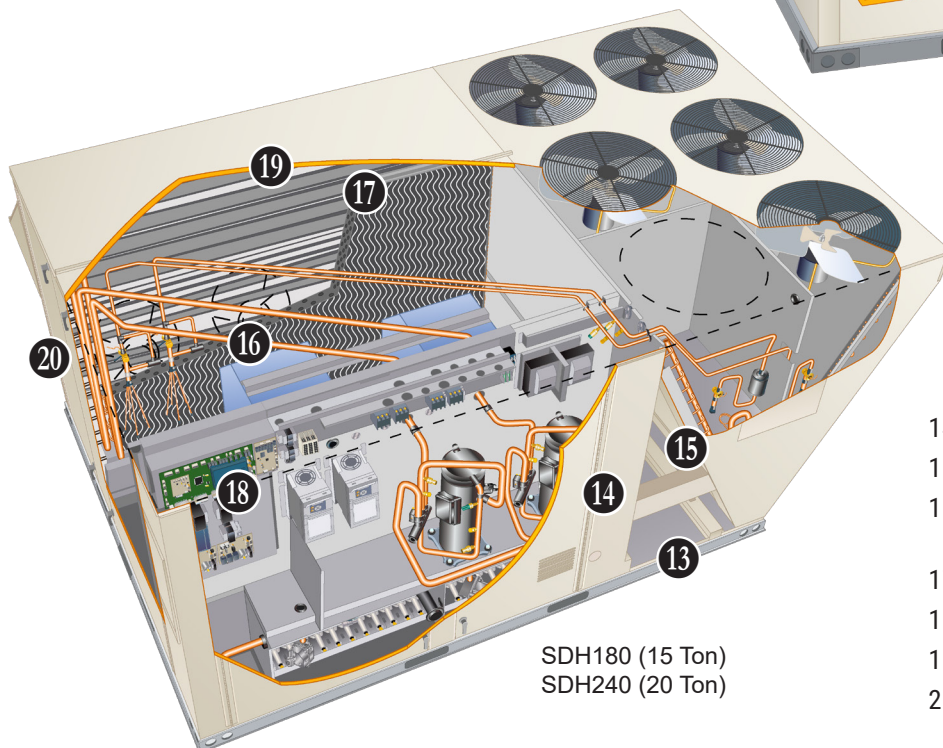
SDH036 (3 Ton)  
SDH060 (5 Ton)

1. Variable-Speed Scroll Compressor
2. Thermal Expansion Valve
3. Filter/Drier
4. High Pressure Switch
5. High Pressure Transducer
6. Low Pressure Transducer
7. Liquid Pressure Transducer
8. Discharge Line Thermistor



SDH092 (7.5 Ton)  
SDH120 (10 Ton)

9. Variable Speed ECM Outdoor Coil Fan Motors
10. Stainless steel Heat Exchanger/Inshot burners
11. Heavy Gauge Steel Cabinet
12. Power Entry
13. Fully Insulated



SDH180 (15 Ton)  
SDH240 (20 Ton)

14. Hinged Access Panels
15. Grille Guards
16. DirectPlus™ ECM Direct Drive with SZVAV Single Zone Variable Air Volume
17. Air Filters
18. Lennox® CORE Unit Controller
19. Economizer (option)
20. Power Exhaust Fans (option)

## APPROVALS AND WARRANTY

### APPROVALS

- All 3 and 5 ton models are AHRI Standard 210/240-2023 certified
- All 7.5-20 ton models are AHRI Standard 340/360-2023 certified
- All models are ENERGY STAR® certified
- ETL and CSA listed
- All models are ASHRAE 90.1-2022 compliant
- All models meet DOE 2023 energy efficiency standards
- All models are listed to UL 60335-1 & 60335-2-40 and meet the Refrigerant Detection and Dissipation Requirements
- Components are bonded for grounding to meet safety standards for servicing required by ETL, NEC and CEC
- ISO 9001 Registered Manufacturing Quality System
- All 7.5- 20 ton models meet California Code of Regulations, Title 24 and ASHRAE 90.1-2022 Section 6.4.3.10 requirements for staged airflow
- All models have FSA approval and are compliant with standard ASCE 7-22 (ASD) and the Florida Building Code Eighth Edition (2023)
- All models are fully charged and run tested to verify unit operation and functionality

### WARRANTY

- Stainless Steel Heat Exchange - Limited fifteen years
- Compressors - Limited five years
- Lennox CORE® Unit Controller - Limited three years
- High Performance Economizers (optional) - Limited five years
- All other covered components - Limited one year

## FEATURES AND BENEFITS

### DUAL-FUEL OPERATION

#### (Heating Mode)

- Operates the heat pump for 1st stage heating
  - If 1st stage heat settings are not met, 2nd stage activates gas heating (secondary heat source)
- Mechanical heat pump operation automatically terminates on gas heat start-up
- Lennox® CORE Control System automatically changes blower speeds between heat pump heating and gas heating
- Blower operates in high speed during 1st stage (heat pump) operation and terminates during changeover to gas heat operation
- Blower starts when heat exchanger is warm, and runs in high speed during 2nd stage (gas heat) operation
  - If continuous blower operation is available on the thermostat, a change in blower speed automatically occurs during heat pump to gas heat changeover

### COOLING/HEATING SYSTEM

- Designed to maximize sensible and latent cooling and heating performance at design conditions
- Mechanical cooling operates from 0°F to 125°F
- Mechanical heating operates down to 35°F ambient (default dual fuel balance point) adjustable 10°F to 65°F
- Mechanical heating operates at ambient temperatures above 10°F
- Gas heating operates from 35°F down to -40°F (default dual fuel balance point) adjustable 10°F to 65°F

**NOTE** - Optional Low Temperature Vestibule Heater extends gas heat operation down to -60°F.

#### **R-454B Refrigerant**

- Low GWP (Global Warming Potential)
- Zero ODP (Ozone Depletion Potential)
- Low Toxicity/Lower Flammability - A2L
- Unit is factory pre-charged

#### **Scroll Compressors**

- Cooling system consists of variable capacity scroll compressors (one for 036, 060, 092 and 120 models, two for 180-240 models)

#### **1 Variable-Speed Scroll Compressor**

- High performance, reliability and quiet operation
- Operates on a variable-frequency determined to vary capacity based on the cooling load required

#### **Compressor Operation**

- Two involute spiral scrolls matched together to generate a series of crescent shaped gas pockets between them
- During compression, one scroll remains stationary while the other scroll orbits around it
- Gas is drawn into the outer pocket, the pocket is sealed as the scroll rotates
- As the spiral movement continues, gas pockets are pushed to the center of the scrolls
- Volume between the pockets is simultaneously reduced

## FEATURES AND BENEFITS

### **COOLING/HEATING SYSTEM (continued)**

- When the pocket reaches the center, gas is now at high pressure and is forced out of a port located in the center of the fixed scrolls
- During compression, several pockets are compressed simultaneously resulting in a smooth continuous compression cycle
- Continuous flank contact, maintained by centrifugal force, minimizes gas leakage and maximizes efficiency
- Compressor is tolerant to the effects of slugging and contaminants
- If this occurs, scrolls separate, allowing liquid or contaminants to be worked toward the center and discharged

### **Compressor Crankcase Heater**

- Protects against refrigerant migration that can occur during low ambient operation or during extended off cycles

### **DC Inverter Control**

- Converts AC line voltage into filtered variable DC voltage
- Provides continuous compressor operation, while adjusting the capacity according to discharge air temperature
- Adjusts compressor output in increments as small as 1%
- Prevents frequent changes in capacity and ensures efficient, economical operation
- Two LEDs (red and green) indicate inverter operating status and aid in troubleshooting
- External noise filter reduces unwanted electromagnetic interference (EMI)

### **2 Thermal Check/Expansion Valves**

- Ensures optimal performance throughout the application range
- Removable element head

### **Reversing Valves**

- 4-way interchange reversing valve rapidly changes the direction of refrigerant flow resulting in quick changeover from cooling to heating and vice versa

### **3 Filter/Drier**

- High capacity filter/drier protects the system from dirt and moisture

### **4 High Pressure Switch**

- Protects the compressor from overload conditions such as dirty condenser coils, blocked refrigerant flow or loss of outdoor fan operation

### **5 High Pressure Transducer**

- Monitors the compressor discharge pressures and protects from abnormal conditions

### **6 Low Pressure Transducer**

- Monitors the suction pressures and protects from abnormal conditions

### **7 Liquid Pressure Transducer**

- Monitors the liquid pressures and protects from abnormal conditions

### **8 Discharge Line Thermistor**

- Monitors and protects the compressor from excessive temperatures

### **Indoor Coil Freeze Protection**

- Protects the evaporator coil from damaging ice build-up due to conditions such as low/no airflow, or low refrigerant charge

### **Outdoor Coil**

- Copper tube construction
- Enhanced rippled-edge aluminum fins
- Flared shoulder tubing connections
- Silver soldered construction
- Factory leak tested

### **Indoor Coil**

- Copper tube construction
- Enhanced rippled-edge aluminum fins
- Flared shoulder tubing connections
- Silver soldered construction for improved heat transfer
- Factory leak tested
- Row-split coils on multi-stage air volume models
- Cross row circuiting with rifled tubing optimizes both sensible and latent cooling capacity

### **Antimicrobial Condensate Drain Pan**

- Composite pan, sloped to meet drainage requirements per ASHRAE 62.1
- Anti-Microbial additive prevents growth of mold and mildew, which improves indoor air quality and reduces drain line blockage
- Drain connection extends outside unit

### **Condensate Drain Trap**

- EPDM high density rubber material

### **9 Variable-Speed ECM Outdoor Coil Fan Motors**

- Fan speed is controlled by the Lennox® CORE unit controller
- Thermal overload protected
- Totally enclosed
- Permanently lubricated ball bearings
- Shaft up
- Wire basket mount

### **Required Selections**

#### **Cooling Capacity**

- Specify nominal cooling capacity

### **Options/Accessories**

#### **Factory or Field Installed**

#### **Drain Pan Overflow Switch**

- Monitors condensate level in drain pan
- Shuts down unit if drain becomes clogged

## FEATURES AND BENEFITS

### **LOW GWP REFRIGERANT DETECTION SYSTEM (RDS)**

- Complies with UL 60335-2-40 approved standard
- Required for all systems using R-454B refrigerant
- Factory installed on all units
- Consists of a leak detection sensor(s) and a mitigation control
- Ensures safe operation for systems equipped with R-454B refrigerant
- Sensor(s) monitors indoor coil area for any refrigerant leaks if they occur
- If a leak is detected the refrigerant detection system will prevent compressor and heating operation until a leak is no longer detected
- Refrigeration detection system energizes blower while a leak is detected to mitigate any concentrations of refrigerant from the unit and the system

### **HEATING SYSTEM**

#### **10** Heat Exchanger

- Tubular construction, Stainless steel Heat Exchanger
- Life-cycle tested
- Aluminized steel inshot burners
- Direct spark ignition
- Electronic flame sensor
- Combustion air inducer
- Redundant automatic dual stage gas valve with manual shut-off

#### Electronic Pilot Ignition

- Electronic spark igniter provides positive direct ignition of burners on each operating cycle
- Permits main gas valve to stay open only when the burners are proven to be lit
- If loss of flame occurs, gas valve closes, shutting off the gas to the burners
- LED indicates status and aids in troubleshooting
- Watchguard circuit on module automatically resets ignition controls after one hour of continuous thermostat demand after unit lockout, eliminating nuisance service calls
- Factory installed in the gas heating compartment

#### Limit Controls

- Redundant limit controls with fixed temperature setting
- Protects heat exchanger and other components from overheating

#### Safety Switches

- Flame roll-out switch
- Flame sensor
- Combustion air inducer proving switch
- Protects system operation

#### Required Selections

**NOTE** - All gas heating for 036-060 models is only available as Low NOx (40 ng/J).

### **Gas Input Choice - Order one:**

#### 3 ton models

- Standard Gas Heat (2 Stage, Low NOX/40 ng/J)  
53,000/70,000 Btuh
- Medium Gas Heat (2 Stage, Low NOX/40 ng/J)  
81,000/108,000 Btuh

#### 5 ton models

- Standard Gas Heat (2 Stage, Low NOX/40 ng/J)  
53,000/70,000 Btuh
- Medium Gas Heat (2 Stage, Low NOX/40 ng/J)  
81,000/108,000 Btuh
- High Gas Heat (2 Stage, Low NOX/40 ng/J)  
113,000/150,000 Btuh

#### 7.5 and 10 ton models

- Standard Gas Heat (2 Stage)  
84,500/130,000 Btuh
- Medium Gas Heat (2 Stage)  
117,000/180,000 Btuh
- High Gas Heat (2 Stage)  
156,000/240,000 Btuh

#### 15 and 20 ton models

- Standard Gas Heat (2 Stage)  
169,000/260,000 Btuh
- Medium Gas Heat (2 Stage)  
234,000/360,000 Btuh
- High Gas Heat (2 Stage)  
312,000/480,000 Btuh

**NOTE** - Natural gas values shown above.

#### Options/Accessories

#### **Factory Installed**

##### Stainless Steel Heat Exchanger

- Required if mixed air temperature is below 45°F
- CSA certified to allow operation of unit down to -60°F

#### **Field Installed**

##### Combustion Air Intake Extensions

- Recommended for use with existing flue extension kits in areas where high snow drifts can block intake air

##### Fresh Air Tempering

- Provides heating and cooling as needed to maintain the supply air temperature within a comfort range, regardless of the thermostat demand

**NOTE** - Requires field installed sensor kit and unit controller parameter change in the field to activate this mode of operation

##### Low Temperature Vestibule Heater

- Electric heater automatically controls minimum temperature in gas burner compartment when temperature is below -40°F

##### LPG/Propane Kit

- Conversion kit to field change over units from Natural Gas to LPG/Propane

##### Vertical Vent Extension Kit

- Exhausts flue gases vertically above unit

## FEATURES AND BENEFITS

### **CABINET**

#### **11 Construction**

- Heavy-gauge steel panels
- Full perimeter heavy-gauge galvanized steel base rail (provides structural integrity for transportation, handling, and installation)
- Base rails have rigging holes
- Fork slots (two sides on the 3 and 5 ton models, three sides on the 7.5 through 20 ton models)
- Raised edges around duct and power entry openings in the bottom of the unit for water protection

#### **Airflow**

- Units are shipped in downflow (vertical) configuration

#### **12 Power/Gas Entry**

- Electrical/gas lines can be routed through the unit base or through horizontal access knock-outs

#### **Exterior Panels**

- Constructed of heavy-gauge, galvanized steel
- Textured pre-paint with polyurethane finish
- Cyclic salt fog and UV exposure up to 1680 hours per ASTM D5894

#### **13 Insulation**

- Fully insulated with non-hygroscopic fiberglass insulation (conditioned areas)
- Unit base is fully insulated
- Base insulation serves as an air seal to the roof curb, eliminating the need to add a seal during installation

#### **14 Hinged Access Panels**

- Economizer/filter section
- Blower section
- Compressor/controls/heat section
- Hinges are constructed of galvanized-steel
- Panel seals and quarter-turn latching handles provide a tight air and water seal

#### **15 Grille Guards**

- Protects space between outdoor coils and main cabinet

### **Options/Accessories**

#### **Factory Installed**

##### **Corrosion Protection**

- Completely flexible immersed coating
- Electrodeposited dry film process
- AST ElectroFin E-Coat
- ASTM B117 / DIN 53167 Salt Spray - 15,000+ hours
- ASTM G85 Annex A3 SWAAT Modified Salt Spray - 3000 hours
- VA Master Construction Specification Division 23 for High Humidity Installations
- CID AA-52474A (GSA)

#### **Option 1:**

- Coated indoor and outdoor coil assemblies (including tube sheets)
- Painted cabinet interior

#### **Option 2:**

- Coated outdoor coil assembly (including tube sheets)

#### **Field Installed**

##### **Combination Coil/Hail Guards**

- Heavy gauge steel frame
- Painted to match cabinet
- Expanded metal mesh protects outdoor coil

#### **BLOWER**

#### **16 DirectPlus™ ECM Direct Drive Blower System with SZVAV Single Zone Variable Air Volume**

- High-efficiency, variable-speed ECM (electronically commutated) motor
- Eliminates the need for a separate variable-frequency drive
- SZVAV Single Zone Variable Air Volume control modulates the amount of supply blower airflow according to cooling demand, heating demand, ventilation demand or smoke alarm
- The amount of airflow for each stage can be set according to a parameter in the Lennox® CORE Unit Controller
- Unit is shipped from the factory with preset airflows
- Fully variable speed motor modulates to maximize system efficiency
- Dual blowers on 180/240 models
- Combines the motor and electronics into one unit
- Aerodynamically optimized impeller
- Backward curved blades mounted directly onto the rotor



- Air inlet grill reduces indoor sound levels without affecting air performance

#### **Blower Proving**

- Monitors blower operation
- Shuts down unit if blower stops

## FEATURES AND BENEFITS

### ELECTRICAL

#### SmartWire™ System

- Advanced wiring connectors
- Keyed and color-coded to prevent miswiring
- Wire coloring scheme is standardized across all models
- Each connection is intuitively labeled to make troubleshooting and servicing quick and easy

#### Circuit Breakers

- HACR type
- For overload and short circuit protection
- Factory wired
- Current sensitive and temperature activated
- Manual reset
- Mounted in the power entry panel

#### Electrical Plugs

- Positive connection electrical plugs connect common accessories and maintenance parts for easy removal or installation

#### GFI Service Outlets (2)

- 115V ground fault circuit interrupter (GFCI) type
- 20 amp non-powered, field-wired (all voltages)

#### Short-Circuit Current Rating (SCCR)

- Higher short circuit protection up to 35kA

### Required Selections

#### Voltage Choice

- Specify when ordering base unit

### Options/Accessories

#### Field Installed

##### GFI Weatherproof Cover

- Single-gang cover
- Heavy-duty UV-resistant polycarbonate case construction
- Hinged base cover with gasket

### INDOOR AIR QUALITY

### Options/Accessories

#### Factory or Field Installed

##### **17** Standard Air Filters

- MERV 8 (Minimum Efficiency Reporting Value) based on ASHRAE 52.2 efficiency
- Disposable
- 2 inch pleated

##### Healthy Climate® MERV 13 High Efficiency Air Filters

- MERV 13 (Minimum Efficiency Reporting Value) based on ASHRAE 52.2 efficiency
- Disposable
- 2 inch pleated

#### Field Installed

##### Indoor Air Quality (CO<sub>2</sub>) Sensor

- Monitors CO<sub>2</sub> levels and reports to unit controller which adjusts economizer dampers as needed
- SZVAV Single Zone Variable Air Volume units with an economizer require a CO<sub>2</sub> sensor to modulate the economizer damper and maintain the desired minimum amount of fresh outdoor air
- CO<sub>2</sub> sensor can be installed in either the occupied zone or the return air duct

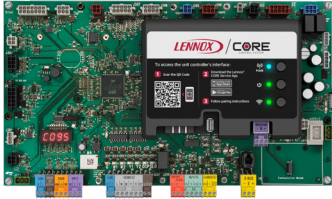
#### Field Installed

##### Replacement Filter Media Kit With Frame (180-240 Only)

- Replaces existing pleated filter media
- Includes washable metal mesh screen and metal frame
- Clip holds replaceable non-pleated filter

## CONTROL SYSTEM

### LENNOX® CORE CONTROL SYSTEM



- 18 The Lennox® CORE Control System is designed to accelerate equipment install and service. Standard with all Strategos® rooftop units, control system integrates key technologies that lower installation costs, drive system efficiency, and protect your investments.

The Lennox® CORE Unit Controller is a microprocessor-based controller that provides flexible control of all unit functions.

#### CORE Mobile Service App

- Guided Setup with progress indicators, detailed help, and exportable summaries to manage simple, trouble-free setup, reducing commissioning times
- Enhanced Test Functionality provides real-time sensor readings, trending, and reports that enable easy troubleshooting
- Ability to set and configure parameters of the CORE Control System to manage sequence of operation
- Economizer test function ensures economizer is operating correctly



#### Additional Features:

- Built-In 7-Segment Display shows Unit Status and active alarms for easy troubleshooting
- Buttons for test and clearing delays
- SmartWire™ System with keyed and removable screw terminals ensure correct field wiring
- Built-in BACnet MS/TP and IP allow open integration to building management systems.
- Two-port Ethernet Switch enables daisy chaining for BACnet IP and automatic firmware updates

**NOTE** - Unit Internet Connection required.

- Profile setup copies key settings between units with the same configuration to reduce setup time
- USB port allows a technician to download and transfer unit information to help verify service was performed
- USB software updates on the Lennox® CORE Unit Controller enhance functionality without the need to change components
- Unit Controller Software

#### Configurable Built-In Functions

- Discharge Air Cooling Control
- Up to three distinct Cooling Airflows in Thermostat Mode
- Programmable independent heating, ventilation and cooling blower speeds

- Discharge Air Heating Control
- Economizer Control Options (See Economizer / Exhaust Air / Outdoor Air sections)
- Exhaust Fan Control Modes for fresh air damper position
- Configurable Morning Warm-up
- Night Setback Mode
- Fresh Air Tempering for Improved Ventilation
- Demand Control Ventilation
- Low Ambient Controls for operation down to 0°F
- Two Defrost Control Methods (demand and timed - heat pumps only)

#### Component Protection / Unit Safeguards:

- Compressor Time-Off Delay
- Adjustable Blower On/Off Delay
- Return Air Temperature Limit Control
- Safety Switch Input allows Controller to respond to a external safety switch trip
- Service Relay Output
- Thermostat Bounce Delay
- Smoke Alarm Mode has four choices (unit off, positive pressure, negative pressure, purge)
- "Strike Three" Protection
- Gas Valve Time Delay Between First and Second Stage
- Minimum Compressor Run Time

#### Control Methods / Interfaces:

- DDC and 24V Thermostat
- BACnet MS/TP and IP
- LONTalk (Factory Option)
- Lennox S-BUS
- Zone Temperature Sensor Input
- Dehumidistat and Humidity Sensor Inputs
- Indoor Air Quality Inputs (2)
- Built-in Control Parameter Defaults
- Permanent Diagnostic Code Storage
- Field Adjustable Control Parameters (Over 200 settings)
- Multiple Configurable Digital Inputs
- LED Indicators
- PC Interface connects the Lennox® CORE Unit Controller to a PC with the Lennox Unit Controller Software

**NOTE** - Lennox® CORE Control System features vary with the type of rooftop unit in which the control is installed.

## CONTROL SYSTEM

### LENNOX® CORE CONTROL SYSTEM (Continued)

#### Control Options

#### **Factory Installed**

##### Dirty Filter Switch

- Senses static pressure increase indicating dirty filter condition

#### **Factory or Field Installed**

##### Smoke Detector

- Photoelectric type
- Installed in supply air section, return air section or both sections
- Available with power board and single sensor (supply or return) or power board and two sensors (supply and return)
- Power board located in unit control compartment

#### **Interoperability via BACnet® or LonTalk® Protocols**

- Communication compatible with third-party automation systems that support the BACnet Application Specific Controller device profile, LonMark® Space Comfort Controller functional profile, or LonMark Discharge Air Controller functional profile

## OPTIONS / ACCESSORIES

### **19** **ECONOMIZER**

#### **Factory or Field Installed**

- Economizer operation is set and controlled by the Lennox® CORE Unit Controller
- Simple plug-in connections from economizer to unit controller
- All Strategos rooftop units are equipped with factory installed CEC Title 24 approved sensors for outside, return and discharge air temperature monitoring

**NOTE** - Optional sensors may be used instead of unit sensors to determine whether outdoor air is suitable for free cooling. See Options/Accessories table.

#### **High Performance Economizer Features**

- Outdoor air hood is furnished
- Approved for California Title 24 building standards.
- Low leakage dampers are Air Movement and Control Association International (AMCA) Class 1A Certified - Maximum 3 CFM per sq. ft. leakage at 1 in. w.g.
- ASHRAE 90.1-2010 compliant
- Linked damper action
- High torque 24-volt fully-modulating spring return damper motor
- Return air and outdoor air dampers
- Plug-in connections to unit

**NOTE** - High Performance Economizers are not approved for use with enthalpy controls in Title 24 applications.

**NOTE** - The Free Cooling setpoint for Title 24 applications must be set based on the Climate Zone where the system is installed. See Section 140.4 "Prescriptive Requirements for Space Conditioning Systems" of the California Energy Commission's 2022 Building Energy Efficiency Standards.

**NOTE** - Refer to Installation Instructions for complete setup information.

#### Options / Accessories

#### **Factory or Field Installed**

##### **Differential Enthalpy Control (Not for Title 24)**

- Order two Single Enthalpy Controls
- One is field installed in the return air section
- One is installed in the outdoor air section
- Allows the economizer control to select between outdoor air or return air, whichever has lower enthalpy

#### **Field Installed**

##### **Global Control (Not for Title 24)**

- The unit controller communicates with a DDC system with one global sensor (enthalpy or sensible)
- Determines whether outside air is suitable for free cooling on all units connected to the control system
- Sensor must be field provided

## OPTIONS / ACCESSORIES

### EXHAUST AIR

#### **Factory Installed**

- 20** Power Exhaust Fan(s) (092 through 240 Models)
- Installs external on 092 -120 models with economizer option
  - Installs internal to 180-240 models with economizer option
  - Provides exhaust air pressure relief
  - Interlocked to run when supply air blower is operating
  - Fan runs when outdoor air dampers are 50% open (adjustable)
  - Fan motor is overload protected
  - 092-120 models include steel cabinet and hood painted to match unit

#### **092-120 Models**

- One, 1/2 hp motor
- Five fan blades
- Total power input - 300 Watts
- Total air volume of 4085 cfm at 0.05 in. w.g.

#### **180-240 Models**

- Three, 1/3 hp motors
- 20 in. diameter, five fan blades
- Total power input - 1200 Watts
- Total air volume of 10,200 cfm at 0 in. w.g.

#### **Barometric Relief Dampers**

- Allows relief of excess air
- Dampers prevent blow back and outdoor air infiltration during off cycle
- Outdoor air hood is furnished with field installed barometric relief dampers for 120-240 models with Power Exhaust
- See Options/Accessories table

### OUTDOOR AIR

#### **Factory Installed**

#### **Motorized Outdoor Air Dampers (180-240 Models)**

- Linked mechanical dampers
- Fully modulating spring return damper motor
- Installed in unit
- Outdoor air hood with bird screen included

#### **Manual Outdoor Air Dampers (180-240 Models)**

- Adjustable slide damper
- Installed in unit
- Outdoor air hood with bird screen included

### ROOF CURBS

#### **Factory Installed**

#### **Curb Alignment (180-240 Models)**

- Adapter plate mates new unit to existing roof curb for replacement of older L-Series® (LC/LG\*156, 180, 210, and 240) models

**NOTE** - No adapter plate is required for the original Strategos (SC/SG\*240), Emergence, or Enlight (LC/LG\*300/302) models.

#### **Field Installed**

#### **Hybrid Roof Curbs, Downflow**

- Interlocking tabs fasten corners together
- No tools required for assembly
- Can also be fastened together with furnished hardware
- Available in 14 and 24 inch heights
- See Options/Accessories table

## OPTIONS / ACCESSORIES

| Item Description                | Order Number                                                    | Size         |     |     |     |     |                |                |
|---------------------------------|-----------------------------------------------------------------|--------------|-----|-----|-----|-----|----------------|----------------|
|                                 |                                                                 | 036          | 060 | 092 | 120 | 180 | 240            |                |
| <b>COOLING SYSTEM</b>           |                                                                 |              |     |     |     |     |                |                |
| Corrosion Protection            | Coated indoor/outdoor coil assemblies, painted cabinet interior | Factory      | O   | O   | O   | O   | O              | O              |
|                                 | Coated outdoor coil assembly                                    | Factory      | O   | O   | O   | O   | O              | O              |
| Drain Pan Overflow Switch       |                                                                 | <b>21Z07</b> | OX  | OX  | OX  | OX  | OX             | OX             |
| <b>HEATING SYSTEM</b>           |                                                                 |              |     |     |     |     |                |                |
| Combustion Air Intake Extension |                                                                 | <b>20X99</b> | X   | X   |     |     |                |                |
|                                 |                                                                 | <b>33W62</b> |     |     | X   | X   |                |                |
|                                 | Oder two                                                        | <b>89L97</b> |     |     |     |     | X              | X              |
| Gas Heat Input                  | Standard 2 Stage - 53/70 kBtuh input (Low NOx)                  | Factory      | O   | O   |     |     |                |                |
|                                 | Medium 2 Stage - 81/108 kBtuh input (Low NOx)                   | Factory      | O   | O   |     |     |                |                |
|                                 | High 2 Stage - 113/150 kBtuh input (Low NOx)                    | Factory      |     | O   |     |     |                |                |
|                                 | Standard 2 Stage - 84.5/130 kBtuh input                         | Factory      |     |     | O   | O   |                |                |
|                                 | Medium 2 Stage - 117/180 kBtuh input                            | Factory      |     |     | O   | O   |                |                |
|                                 | High 2 Stage - 156/240 kBtuh input                              | Factory      |     |     | O   | O   |                |                |
|                                 | Standard 2 Stage - 169/260 kBtuh input                          | Factory      |     |     |     |     | O              | O              |
|                                 | Medium 2 Stage - 234/360 kBtuh input                            | Factory      |     |     |     |     | O              | O              |
|                                 | High 2 Stage - 312/480 kBtuh input                              | Factory      |     |     |     |     | O              | O              |
| LPG/Propane Kits                | 2 Stage Standard Heat                                           | <b>21Z24</b> | X   | X   |     |     |                |                |
|                                 | 2 Stage Medium and High Heat                                    | <b>21Z23</b> | X   | X   |     |     |                |                |
|                                 | Standard Heat                                                   | <b>14N28</b> |     |     | X   | X   | <sup>1</sup> X | <sup>1</sup> X |
|                                 | Medium Heat                                                     | <b>14N29</b> |     |     | X   | X   | <sup>1</sup> X | <sup>1</sup> X |
|                                 | High Heat                                                       | <b>14N30</b> |     |     | X   | X   | <sup>1</sup> X | <sup>1</sup> X |
| Stainless Steel Heat Exchanger  |                                                                 | Factory      | O   | O   | O   | O   | O              | O              |
| Vertical Vent Extension         |                                                                 | <b>31W62</b> | X   | X   |     |     |                |                |
|                                 |                                                                 | <b>42W16</b> |     |     | X   | X   | <sup>1</sup> X | <sup>1</sup> X |
| <b>CABINET</b>                  |                                                                 |              |     |     |     |     |                |                |
| Combination Coil/Hail Guards    |                                                                 | <b>19H54</b> | X   | X   |     |     |                |                |
|                                 |                                                                 | <b>19H55</b> |     |     | X   | X   |                |                |
|                                 |                                                                 | <b>13T16</b> |     |     |     |     | X              | X              |

<sup>1</sup> Order two kits.

NOTE - Order numbers shown are for ordering field installed accessories.

OX - Configure To Order (Factory Installed) or Field Installed

O = Configure To Order (Factory Installed)

X = Field Installed

## OPTIONS / ACCESSORIES

| Item Description                                                                                                    | Order Number                                    | Size         |     |     |     |     |     |    |
|---------------------------------------------------------------------------------------------------------------------|-------------------------------------------------|--------------|-----|-----|-----|-----|-----|----|
|                                                                                                                     |                                                 | 036          | 060 | 092 | 120 | 180 | 240 |    |
| <b>CONTROLS</b>                                                                                                     |                                                 |              |     |     |     |     |     |    |
| Commercial Control                                                                                                  | LonTalk® Module                                 | Factory      | O   | O   | O   | O   | O   | O  |
| Dirty Filter Switch                                                                                                 |                                                 | Factory      | OX  | OX  | OX  | OX  | OX  | OX |
| <sup>2</sup> Smoke Detectors                                                                                        | Supply or Return (Power board and one sensor)   | <b>10B40</b> | OX  | OX  |     |     |     |    |
|                                                                                                                     |                                                 | <b>10B42</b> |     |     | OX  | OX  | OX  | OX |
|                                                                                                                     | Supply and Return (Power board and two sensors) | <b>10B41</b> | OX  | OX  |     |     |     |    |
|                                                                                                                     |                                                 | <b>10B43</b> |     |     | OX  | OX  | OX  | OX |
| <b>ELECTRICAL</b>                                                                                                   |                                                 |              |     |     |     |     |     |    |
| Voltage<br>60 hz                                                                                                    | 460V - 3 phase                                  | Factory      | O   | O   | O   | O   | O   | O  |
|                                                                                                                     | 575V - 3 phase                                  | Factory      | O   | O   | O   | O   | O   | O  |
| Weatherproof Cover for GFI Service Outlets                                                                          |                                                 | <b>10C89</b> | X   | X   | X   | X   | X   | X  |
| <b>INDOOR AIR QUALITY</b>                                                                                           |                                                 |              |     |     |     |     |     |    |
| <b>Air Filters</b>                                                                                                  |                                                 |              |     |     |     |     |     |    |
| Standard Air Filters                                                                                                | MERV 8 (16 x 20 x 2 - Order 4 per unit)         | <b>54W20</b> | OX  | OX  |     |     |     |    |
|                                                                                                                     | MERV 8 (20 x 25 x 2 - Order 4 per unit)         | <b>50W61</b> |     |     | OX  | OX  |     |    |
|                                                                                                                     | MERV 8 (20 x 20 x 2 - Order 12 per unit)        | <b>54W21</b> |     |     |     |     | Ox  | OX |
| Healthy Climate®<br>High Efficiency Air Filters                                                                     | MERV 13 (16 x 20 x 2 - Order 4 per unit)        | <b>52W37</b> | OX  | OX  |     |     |     |    |
|                                                                                                                     | MERV 13 (20 x 25 x 2 - Order 4 per unit)        | <b>52W41</b> |     |     | OX  | OX  |     |    |
|                                                                                                                     | MERV 13 (20 x 20 x 2 - Order 12 per unit)       | <b>52W39</b> |     |     |     |     | OX  | OX |
| Replacement Media Filter With Metal Mesh Frame<br>20 x 20 x 2 Order 12 per unit (includes non-pleated filter media) |                                                 | <b>44N60</b> |     |     |     |     | X   | X  |
| <b>Indoor Air Quality (CO<sub>2</sub>) Sensors</b>                                                                  |                                                 |              |     |     |     |     |     |    |
| Sensor - Wall-mount, off-white plastic cover with LCD display                                                       |                                                 | <b>77N39</b> | X   | X   | X   | X   | X   | X  |
| Sensor - Wall-mount, off-white plastic cover, no display                                                            |                                                 | <b>87N53</b> | X   | X   | X   | X   | X   | X  |
| Sensor - Black plastic case, LCD display, rated for plenum mounting                                                 |                                                 | <b>87N52</b> | X   | X   | X   | X   | X   | X  |
| Sensor - Black plastic case, no display, rated for plenum mounting                                                  |                                                 | <b>87N54</b> | X   | X   | X   | X   | X   | X  |
| CO <sub>2</sub> Sensor Duct Mounting Kit - for downflow applications                                                |                                                 | <b>23Y47</b> | X   | X   | X   | X   | X   | X  |
| Aspiration Box - for duct mounting non-plenum rated CO <sub>2</sub> sensors ( <b>77N39</b> )                        |                                                 | <b>90N43</b> | X   | X   | X   | X   | X   | X  |

<sup>2</sup> Factory installed smoke detectors must be ordered for use with either 115V or 24V external power supply only.

NOTE - Order numbers shown are for ordering field installed accessories.

OX - Configure To Order (Factory Installed) or Field Installed

O = Configure To Order (Factory Installed)

X = Field Installed

## OPTIONS / ACCESSORIES

| Item Description                                                                                                                     | Order Number                  | Size |     |     |     |     |     |
|--------------------------------------------------------------------------------------------------------------------------------------|-------------------------------|------|-----|-----|-----|-----|-----|
|                                                                                                                                      |                               | 036  | 060 | 092 | 120 | 180 | 240 |
| <b>ECONOMIZER</b>                                                                                                                    |                               |      |     |     |     |     |     |
| <b>High Performance Economizer (Approved for California Title 24 Building Standards / AMCA Class 1A Certified)</b>                   |                               |      |     |     |     |     |     |
| Ultra-Low Leak Economizer - Includes Outdoor Air Hood<br>(Global Sensor, field provided, order Barometric Relief Dampers separately) | Factory<br><b>18X87</b>       | O    | O   | O   | O   |     |     |
|                                                                                                                                      |                               |      |     |     |     | OX  | OX  |
| <b>Economizer Controls</b>                                                                                                           |                               |      |     |     |     |     |     |
| Differential Enthalpy                                                                                                                | Order 2 <b>21Z09</b>          | OX   | OX  | OX  | OX  | OX  | OX  |
| Global Control                                                                                                                       | Sensor Field Provided Factory | O    | O   | O   | O   | O   | O   |
| <b>Barometric Relief Dampers</b>                                                                                                     |                               |      |     |     |     |     |     |
| Barometric Relief Dampers (No Exhaust Hood)                                                                                          | Factory                       | O    | O   |     |     |     |     |
| Barometric Relief Dampers With Power Exhaust Fans (Exhaust Hood Furnished)                                                           | Factory                       |      |     | O   | O   |     |     |
| Barometric Relief Dampers Without Power Exhaust Fans (No Exhaust Hood)                                                               | Factory                       |      |     | O   | O   |     |     |
| Barometric Relief Dampers Without Power Exhaust Fans (Exhaust Hood Furnished)                                                        | Factory                       |      |     |     |     | O   | O   |
| <b>POWER EXHAUST</b>                                                                                                                 |                               |      |     |     |     |     |     |
| Standard Static                                                                                                                      | Factory                       |      |     | O   | O   | O   | O   |
| <b>OUTDOOR AIR</b>                                                                                                                   |                               |      |     |     |     |     |     |
| Motorized Outdoor Air Dampers with Outdoor Air Hood and Bird Screen                                                                  | <b>18X89</b>                  |      |     |     |     | X   | X   |
| Manual Outdoor Air Damper with Outdoor Air Hood and Bird Screen                                                                      | <b>18X88</b>                  |      |     |     |     | X   | X   |
| <b>ROOF CURBS</b>                                                                                                                    |                               |      |     |     |     |     |     |
| Hybrid Roof Curbs, Downflow,<br>14 in. height                                                                                        | <b>11F70</b>                  | X    | X   |     |     |     |     |
|                                                                                                                                      | <b>11F72</b>                  |      |     | X   | X   |     |     |
|                                                                                                                                      | Full Perimeter <b>11F74</b>   |      |     |     |     | X   | X   |
| Hybrid Roof Curbs, Downflow<br>24 in. height                                                                                         | <b>11F71</b>                  | X    | X   |     |     |     |     |
|                                                                                                                                      | <b>11F73</b>                  |      |     | X   | X   |     |     |
|                                                                                                                                      | Full Perimeter <b>11F75</b>   |      |     |     |     | X   | X   |
| Curb Alignment (Adapter plate mates new unit to existing roof curb for older unit replacement)                                       | Factory                       |      |     |     |     |     | O   |

NOTE - Order numbers shown are for ordering field installed accessories.

OX - Configure To Order (Factory Installed) or Field Installed

O = Configure To Order (Factory Installed)

X = Field Installed

| SPECIFICATIONS                            |                                                 | 3 TON   5 TON                                 |                                               |
|-------------------------------------------|-------------------------------------------------|-----------------------------------------------|-----------------------------------------------|
| Model                                     |                                                 | SDH036U5E                                     | SDH060U5E                                     |
| <b>Nominal Tonnage</b>                    |                                                 | 3                                             | 5                                             |
| <b>Efficiency Type</b>                    |                                                 | Ultra-High                                    | Ultra-High                                    |
| <b>Blower Type</b>                        |                                                 | DirectPlus™<br>ECM Direct Drive<br>with SZVAV | DirectPlus™<br>ECM Direct Drive<br>with SZVAV |
| <b>Cooling Performance</b>                | Gross Cooling Capacity (Btuh)                   | 37,000                                        | 60,000                                        |
|                                           | <sup>1</sup> Net Cooling Capacity (Btuh)        | 35,000                                        | 57,000                                        |
|                                           | <sup>1</sup> AHRI Rated Air Flow (cfm-high/low) | 1400/1030                                     | 1800/900                                      |
|                                           | <sup>1</sup> SEER2 (Btuh/Watt)                  | 17.0                                          | 17.0                                          |
|                                           | <sup>1</sup> EER2 (Btuh/Watt)                   | 12.1                                          | 11.2                                          |
|                                           | Total Unit Power (kW)                           | 2.9                                           | 5.1                                           |
| <b>Heating Performance</b>                | <sup>1</sup> Total High Heating Capacity (Btuh) | 34,000                                        | 56,000                                        |
|                                           | <sup>1</sup> AHRI Rated Air Flow (cfm)          | 1500                                          | 1900                                          |
|                                           | <sup>1</sup> HSPF2 (Region IV)                  | 7.6                                           | 7.6                                           |
|                                           | HSPF2 (Region V)                                | 6.1                                           | 6.4                                           |
|                                           | <sup>1</sup> COP                                | 3.3                                           | 3.2                                           |
|                                           | Total Unit Power (kW)                           | 3.0                                           | 5.1                                           |
|                                           | <sup>1</sup> Total Low Heating Capacity (Btuh)  | 28,000                                        | 41,000                                        |
|                                           | <sup>1</sup> COP                                | 1.8                                           | 2.2                                           |
| <b>Refrigerant</b>                        | Refrigerant Type                                | R-454B                                        | R-454B                                        |
|                                           | Charge furnished                                | 19 lbs. 4 oz.                                 | 16 lbs. 9 oz.                                 |
| <b>Gas Heat Available</b>                 |                                                 | See page 18                                   |                                               |
| <b><sup>2</sup> Sound Rating Number</b>   | dBa                                             | 80                                            | 85                                            |
| <b>Compressor Type (number)</b>           |                                                 | Variable Speed Scroll                         | Variable Speed Scroll                         |
| <b>Outdoor Coils</b>                      | Net face area - ft. <sup>2</sup>                | 19.0                                          | 19.0                                          |
|                                           | Rows                                            | 3                                             | 3                                             |
|                                           | Fins - in.                                      | 20                                            | 20                                            |
| <b>Outdoor Coil Fans</b>                  | Motor HP (number and type)                      | (2) 1/3 (ECM)                                 | (2) 1/3 (ECM)                                 |
|                                           | Rpm                                             | 235-685                                       | 440-880                                       |
|                                           | Watts                                           | 70-240                                        | 80-440                                        |
|                                           | Diameter (Number) - in.                         | (2) 24                                        | (2) 24                                        |
|                                           | Blades                                          | 3                                             | 3                                             |
|                                           | Total Air volume - cfm                          | 5030                                          | 6300                                          |
| <b>Indoor Coils</b>                       | Net face area - ft. <sup>2</sup>                | 7.8                                           | 7.8                                           |
|                                           | Tube diameter - in.                             | 3/8                                           | 3/8                                           |
|                                           | Rows                                            | 4                                             | 4                                             |
|                                           | Fins - in.                                      | 14                                            | 14                                            |
|                                           | Condensate drain size (NPT) - in.               | (1) 1 NPT                                     | (1) 1 NPT                                     |
|                                           | Expansion device type                           | Balance Port TXV, non-removable head          |                                               |
| <b><sup>3</sup> Indoor Blower</b>         | Nominal motor HP                                | 1.5 (ECM)                                     | 1.5 (ECM)                                     |
|                                           | Blower wheel diameter x width - in.             | (1) 14 x 5                                    | (1) 14 x 5                                    |
| <b>Filters</b>                            | Type of filter                                  | MERV 8 or equivalent                          |                                               |
|                                           | Number and size - in.                           | (4) 16 x 20 x 2                               | (4) 16 x 20 x 2                               |
| <b>Line voltage data (Volts-Phase-Hz)</b> |                                                 | 460-3-60, 575-3-60                            |                                               |

NOTE - Net capacity includes evaporator blower motor heat deduction. Gross capacity does not include evaporator blower motor heat deduction.

<sup>1</sup> AHRI Certified to AHRI Standard 210/240:

**Cooling Ratings** - 95°F outdoor air temperature and 80°F db/67°F wb entering indoor coil air.

**High Temperature Heating Ratings** - 47°F db/43°F wb outdoor air temperature and 70°F entering indoor coil air.

**Low Temperature Heating Ratings** - 17°F db/15°F wb outdoor air temperature and 70°F entering indoor coil air.

<sup>2</sup> Sound Rating Number rated in accordance with test conditions included in AHRI Standard 270-95.

**SPECIFICATIONS**
**7.5 TON | 10 TON**

| Model                                     |                                                 | SDH092U5E                                     | SDH120U5E                                     |
|-------------------------------------------|-------------------------------------------------|-----------------------------------------------|-----------------------------------------------|
| <b>Nominal Tonnage</b>                    |                                                 | 7.5                                           | 10                                            |
| <b>Efficiency Type</b>                    |                                                 | Ultra-High                                    | Ultra-High                                    |
| <b>Blower Type</b>                        |                                                 | DirectPlus™<br>ECM Direct Drive<br>with SZVAV | DirectPlus™<br>ECM Direct Drive<br>with SZVAV |
| <b>Cooling Performance</b>                | Gross Cooling Capacity (Btuh)                   | 94,500                                        | 123,000                                       |
|                                           | <sup>1</sup> Net Cooling Capacity (Btuh)        | 89,000                                        | 116,000                                       |
|                                           | <sup>1</sup> AHRI Rated Air Flow (cfm-high/low) | 3400                                          | 4000                                          |
|                                           | <sup>1</sup> IEER (Btuh/Watt)                   | 21.0                                          | 20.5                                          |
|                                           | <sup>1</sup> EER (Btuh/Watt)                    | 12.1                                          | 11.9                                          |
|                                           | Total Unit Power (kW)                           | 7.3                                           | 9.7                                           |
| <b>Heating Performance</b>                | <sup>1</sup> Total High Heating Capacity (Btuh) | 85,000                                        | 114,000                                       |
|                                           | <sup>1</sup> AHRI Rated Air Flow (cfm)          | 3400                                          | 4600                                          |
|                                           | <sup>1</sup> COP                                | 3.6                                           | 3.5                                           |
|                                           | Total Unit Power (kW)                           | 6.7                                           | 9.6                                           |
|                                           | <sup>1</sup> Total Low Heating Capacity (Btuh)  | 51,500                                        | 72,000                                        |
|                                           | <sup>1</sup> COP                                | 2.4                                           | 2.4                                           |
| <b>Refrigerant</b>                        | Refrigerant Type                                | R-454B                                        | R-454B                                        |
|                                           | Circuit 1                                       | 26 lbs. 3 oz.                                 | 24 lbs. 0 oz.                                 |
| <b>Gas Heat Available</b>                 |                                                 | See page 18                                   |                                               |
| <sup>2</sup> <b>Sound Rating Number</b>   | dBA                                             | 89                                            | 89                                            |
| <b>Compressor Type (number)</b>           |                                                 | Variable Speed Scroll                         | Variable Speed Scroll                         |
| <b>Outdoor Coils</b>                      | Net face area - ft. <sup>2</sup>                | 23.5                                          | 23.5                                          |
|                                           | Rows                                            | 3                                             | 3                                             |
|                                           | Fins - in.                                      | 20                                            | 20                                            |
| <b>Outdoor Coil Fans</b>                  | Motor HP (number and type)                      | (3) 1/3 (ECM)                                 | (3) 1/3 (ECM)                                 |
|                                           | Rpm                                             | 945/500                                       | 945/500                                       |
|                                           | Watts (total)                                   | 184-1030                                      | 184-1030                                      |
|                                           | Diameter (Number) - in.                         | (3) 24                                        | (3) 24                                        |
|                                           | Blades                                          | 3                                             | 3                                             |
|                                           | Total Air volume - cfm                          | 4400                                          | 4400                                          |
| <b>Indoor Coils</b>                       | Net face area - ft. <sup>2</sup>                | 13.5                                          | 13.5                                          |
|                                           | Tube diameter - in.                             | 3/8                                           | 3/8                                           |
|                                           | Rows                                            | 4                                             | 4                                             |
|                                           | Fins - in.                                      | 14                                            | 14                                            |
|                                           | Condensate drain size (NPT) - in.               | (1) 1 NPT                                     | (1) 1 NPT                                     |
|                                           | Expansion device type                           | Balance Port TXV, non-removable head          |                                               |
| <sup>3</sup> <b>Indoor Blower</b>         | Nominal motor HP                                | 3.75 (ECM)                                    | 3.75 (ECM)                                    |
|                                           | Blower wheel diameter x width - in.             | (1) 22 x 9                                    | (1) 22 x 9                                    |
| <b>Filters</b>                            | Type of filter                                  | MERV 8 or equivalent                          |                                               |
|                                           | Number and size - in.                           | (4) 16 x 20 x 2                               | (4) 16 x 20 x 2                               |
| <b>Line voltage data (Volts-Phase-Hz)</b> |                                                 | 460-3-60, 575-3-60                            |                                               |

NOTE - Net capacity includes evaporator blower motor heat deduction. Gross capacity does not include evaporator blower motor heat deduction.

<sup>1</sup> AHRI Certified to AHRI Standard 340/360:

**Cooling Ratings** - 95°F outdoor air temperature and 80°F db/67°F wb entering indoor coil air.

**High Temperature Heating Ratings** - 47°F db/43°F wb outdoor air temperature and 70°F entering indoor coil air.

**Low Temperature Heating Ratings** - 17°F db/15°F wb outdoor air temperature and 70°F entering indoor coil air.

<sup>2</sup> Sound Rating Number rated in accordance with test conditions included in AHRI Standard 270-95.

| SPECIFICATIONS                            |                                                 | 15 TON   20 TON                               |                                               |
|-------------------------------------------|-------------------------------------------------|-----------------------------------------------|-----------------------------------------------|
| Model                                     |                                                 | SDH180U5E                                     | SDH240U5E                                     |
| <b>Nominal Tonnage</b>                    |                                                 | 15                                            | 20                                            |
| <b>Efficiency Type</b>                    |                                                 | Ultra-High                                    | Ultra-High                                    |
| <b>Blower Type</b>                        |                                                 | DirectPlus™<br>ECM Direct Drive<br>with SZVAV | DirectPlus™<br>ECM Direct Drive<br>with SZVAV |
| <b>Cooling Performance</b>                | Gross Cooling Capacity (Btuh)                   | 175,000                                       | 238,000                                       |
|                                           | <sup>1</sup> Net Cooling Capacity (Btuh)        | 170,000                                       | 230,000                                       |
|                                           | <sup>1</sup> AHRI Rated Air Flow (cfm-high/low) | 5600                                          | 7100                                          |
|                                           | <sup>1</sup> IEER (Btuh/Watt)                   | 21.0                                          | 20.0                                          |
|                                           | <sup>1</sup> EER (Btuh/Watt)                    | 12.1                                          | 11.1                                          |
|                                           | Total Unit Power (kW)                           | 14.2                                          | 20.7                                          |
| <b>Heating Performance</b>                | <sup>1</sup> Total High Heating Capacity (Btuh) | 172,000                                       | 230,000                                       |
|                                           | <sup>1</sup> AHRI Rated Air Flow (cfm)          | 5600                                          | 7500                                          |
|                                           | <sup>1</sup> COP                                | 3.4                                           | 3.4                                           |
|                                           | Total Unit Power (kW)                           | 15.2                                          | 20.1                                          |
|                                           | <sup>1</sup> Total Low Heating Capacity (Btuh)  | 100,000                                       | 132,000                                       |
|                                           | <sup>1</sup> COP                                | 2.1                                           | 2.1                                           |
| <b>Refrigerant</b>                        | Refrigerant Type                                | R-454B                                        | R-454B                                        |
|                                           | Circuit 1                                       | 25 lbs. 8 oz.                                 | 28 lbs. 0 oz.                                 |
|                                           | Circuit 2                                       | 24 lbs. 0 oz.                                 | 26 lbs. 8 oz.                                 |
| <b>Gas Heat Available</b>                 |                                                 | See page 18                                   |                                               |
| <sup>2</sup> Sound Rating Number          | dBA                                             | 90                                            | 90                                            |
| <b>Compressor Type (number)</b>           |                                                 | Variable Speed Scroll (2)                     | Variable Speed Scroll (2)                     |
| <b>Outdoor Coils</b>                      | Net face area - ft. <sup>2</sup>                | 55.1                                          | 55.1                                          |
|                                           | Rows                                            | 2                                             | 2                                             |
|                                           | Fins - in.                                      | 20                                            | 20                                            |
| <b>Outdoor Coil Fans</b>                  | Motor HP (number and type)                      | (6) 1/3 (ECM)                                 | (6) 1/3 (ECM)                                 |
|                                           | Rpm                                             | 176-947                                       | 176-947                                       |
|                                           | Watts                                           | 222-2400                                      | 222-2400                                      |
|                                           | Diameter (Number) - in.                         | (6) 24                                        | (6) 24                                        |
|                                           | Blades                                          | 3                                             | 3                                             |
|                                           | Total Air volume - cfm                          | 24300                                         | 24300                                         |
| <b>Indoor Coils</b>                       | Net face area - ft. <sup>2</sup>                | 26.0                                          | 26.0                                          |
|                                           | Tube diameter - in.                             | 3/8                                           | 3/8                                           |
|                                           | Rows                                            | 4                                             | 4                                             |
|                                           | Fins - in.                                      | 14                                            | 14                                            |
|                                           | Condensate drain size (NPT) - in.               | (1) 1 NPT                                     | (1) 1 NPT                                     |
|                                           | Expansion device type                           | Balance Port TXV, non-removable head          |                                               |
| <sup>3</sup> Indoor Blower                | Nominal motor HP                                | (2) 5 (ECM)                                   | (2) 5 (ECM)                                   |
|                                           | Blower wheel diameter x width - in.             | (2) 22 x 9                                    | (2) 22 x 9                                    |
| <b>Filters</b>                            | Type of filter                                  | MERV 8 or equivalent                          |                                               |
|                                           | Number and size - in.                           | (4) 16 x 20 x 2                               | (4) 16 x 20 x 2                               |
| <b>Line voltage data (Volts-Phase-Hz)</b> |                                                 | 460-3-60, 575-3-60                            |                                               |

NOTE - Net capacity includes evaporator blower motor heat deduction. Gross capacity does not include evaporator blower motor heat deduction.

<sup>1</sup> AHRI Certified to AHRI Standard 340/360:

**Cooling Ratings** - 95°F outdoor air temperature and 80°F db/67°F wb entering indoor coil air.

**High Temperature Heating Ratings** - 47°F db/43°F wb outdoor air temperature and 70°F entering indoor coil air.

**Low Temperature Heating Ratings** - 17°F db/15°F wb outdoor air temperature and 70°F entering indoor coil air.

<sup>2</sup> Sound Rating Number rated in accordance with test conditions included in AHRI Standard 270-95.

**SPECIFICATIONS - GAS HEAT** **3 TON | 5 TON**

| Model                                |                     | 036<br>060                    | 036<br>060                  | 060                       |
|--------------------------------------|---------------------|-------------------------------|-----------------------------|---------------------------|
| <b>Heat Input Type</b>               |                     | <b>Standard<br/>(2 Stage)</b> | <b>Medium<br/>(2 Stage)</b> | <b>High<br/>(2 Stage)</b> |
| Input Btuh                           | 1st Stage           | 53,000                        | 81,000                      | 113,000                   |
|                                      | 2nd Stage           | 70,000                        | 108,000                     | 150,000                   |
| Output Btuh                          | 2nd Stage           | 57,000                        | 87,000                      | 121,000                   |
| Temperature Rise Range - °F          |                     | 15-45                         | 25-55                       | 40-70                     |
| <sup>1</sup> Thermal Efficiency      |                     | 81%                           | 81%                         | 81%                       |
| Gas Supply Connections               |                     | 3/4 in. NPT                   | 3/4 in. NPT                 | 3/4 in. NPT               |
| Rec. Gas Supply Pressure - Nat./ LPG |                     | 7 in. w.g. / 11 in. w.g.      |                             |                           |
| Gas Supply Pressure Range            | Min./Max. (Natural) | 4.5 - 10.5 in. w.g.           |                             |                           |
|                                      | Min./Max. (LPG)     | 10.8 - 13.5 in. w.g.          |                             |                           |

NOTE - See page 27 for Minimum Air Volume Required for use with Gas Heat.

<sup>1</sup> Thermal Efficiency at full input.

**SPECIFICATIONS - GAS HEAT** **7.5 TON | 10 TON**

| Model                                 |                     | 092<br>120                    |                             |                           |
|---------------------------------------|---------------------|-------------------------------|-----------------------------|---------------------------|
| <b>Heat Input Type</b>                |                     | <b>Standard<br/>(2 Stage)</b> | <b>Medium<br/>(2 Stage)</b> | <b>High<br/>(2 Stage)</b> |
| Input Btuh                            | 1st Stage           | 85,000                        | 117,000                     | 156,000                   |
|                                       | 2nd Stage           | 130,000                       | 180,000                     | 240,000                   |
| Output Btuh                           | 2nd Stage           | 105,000                       | 146,000                     | 194,000                   |
| Temperature Rise Range - °F           |                     | 15-45                         | 30-70                       | 40-70                     |
| <sup>1</sup> Thermal Efficiency       |                     | 81%                           | 81%                         | 81%                       |
| Gas Supply Connections                |                     | 3/4 in. NPT                   | 3/4 in. NPT                 | 3/4 in. NPT               |
| Rec. Gas Supply Pressure - Nat. / LPG |                     | 7 in. w.g. / 11 in. w.g.      |                             |                           |
| Gas Supply Pressure Range             | Min./Max. (Natural) | 4.7 - 10.5 in. w.g.           |                             |                           |
|                                       | Min./Max. (LPG)     | 10.8 - 13.5 in. w.g.          |                             |                           |

NOTE - See page 27 for Minimum Air Volume Required for use with Gas Heat.

<sup>1</sup> Thermal Efficiency at full input.

**SPECIFICATIONS - GAS HEAT** **15 TON | 20 TON**

| Model                                 |                     | 180<br>240                    |                             |                           |
|---------------------------------------|---------------------|-------------------------------|-----------------------------|---------------------------|
| <b>Heat Input Type</b>                |                     | <b>Standard<br/>(2 Stage)</b> | <b>Medium<br/>(2 Stage)</b> | <b>High<br/>(2 Stage)</b> |
| Input Btuh                            | 1st Stage           | 169,000                       | 234,000                     | 312,000                   |
|                                       | 2nd Stage           | 260,000                       | 360,000                     | 480,000                   |
| Output Btuh                           | 2nd Stage           | 211,000                       | 292,000                     | 389,000                   |
| Temperature Rise Range - °F           |                     | 15-45                         | 30-70                       | 40-70                     |
| <sup>1</sup> Thermal Efficiency       |                     | 81%                           | 81%                         | 81%                       |
| Gas Supply Connections                |                     | 1 in. NPT                     | 1 in. NPT                   | 1 in. NPT                 |
| Rec. Gas Supply Pressure - Nat. / LPG |                     | 7 in. w.g. / 11 in. w.g.      |                             |                           |
| Gas Supply Pressure Range             | Min./Max. (Natural) | 4.7 - 10.5 in. w.g.           |                             |                           |
|                                       | Min./Max. (LPG)     | 10.8 - 13.5 in. w.g.          |                             |                           |

NOTE - See page 27 for Minimum Air Volume Required for use with Gas Heat.

<sup>1</sup> Thermal Efficiency at full input.

## HIGH ALTITUDE DERATE

NOTE - Units may be installed at altitudes up to 2000 ft. above sea level without any modifications.

At altitudes above 2000 ft. units must be derated to match information in the table shown.

036-060 Models - At altitudes above 4500 ft. unit must be derated 2% for each 1000 ft. above sea level.

120-240 Models - At altitudes above 4500 ft. unit must be derated 4% for each 1000 ft. above sea level.

NOTE - This is the only permissible derate for these units.

| Model      | Heat Input Type    | Altitude Feet | Gas Manifold Pressure - in. w.g. (min./max.) |             | Input Rate Natural Gas Btuh (min./max.) | Input Rate LPG/Propane Btuh (min./max.) |
|------------|--------------------|---------------|----------------------------------------------|-------------|-----------------------------------------|-----------------------------------------|
|            |                    |               | Natural Gas                                  | LPG/Propane |                                         |                                         |
| 036<br>060 | Standard (2 Stage) | 0 - 2000      | 2.0/3.5                                      | 5.9/10.5    | 53,000 / 70,000                         | 53,000 / 70,000                         |
|            |                    | 2001 - 4500   | 1.7/3.0                                      | 5.1/9.0     | 49,000 / 65,000                         | 49,000 / 65,000                         |
|            | Medium (2 Stage)   | 0 - 2000      | 2.0/3.5                                      | 5.9/10.5    | 81,000 / 108,000                        | 81,000 / 108,000                        |
|            |                    | 2001 - 4500   | 1.7/3.0                                      | 5.1/9.0     | 75,000 / 100,000                        | 75,000 / 100,000                        |
| 060 only   | High (2 Stage)     | 0 - 2000      | 2.0/3.5                                      | 5.9/10.5    | 113,000 / 150,000                       | 113,000 / 150,000                       |
|            |                    | 2001 - 4500   | 1.7/3.0                                      | 5.1/9.0     | 104,000 / 139,000                       | 104,000 / 139,000                       |
| 092<br>120 | Standard (2 Stage) | 0 - 2000      | 1.6/3.7                                      | 5.5/10.5    | 85,000 / 130,000                        | 94,000 / 130,000                        |
|            |                    | 2001 - 4500   | 1.6/3.1                                      | 5.5/8.9     | 85,000 / 120,000                        | 85,000 / 120,000                        |
|            | Medium (2 Stage)   | 0 - 2000      | 1.6/3.7                                      | 5.5/10.5    | 117,000 / 180,000                       | 130,000 / 180,000                       |
|            |                    | 2001 - 4500   | 1.6/3.1                                      | 5.5/8.9     | 117,000 / 166,000                       | 117,000 / 166,000                       |
|            | High (2 Stage)     | 0 - 2000      | 1.6/3.7                                      | 5.5/10.5    | 156,000 / 240,000                       | 173,000 / 240,000                       |
|            |                    | 2001 - 4500   | 1.6/3.1                                      | 5.5/8.9     | 156,000 / 221,000                       | 156,000 / 221,000                       |
| 180<br>240 | Standard (2 Stage) | 0 - 2000      | 1.6/3.7                                      | 5.5/10.5    | 169,000 / 260,000                       | 187,000 / 260,000                       |
|            |                    | 2001 - 4500   | 1.6/3.1                                      | 5.5/8.9     | 169,000 / 239,000                       | 169,000 / 239,000                       |
|            | Medium (2 Stage)   | 0 - 2000      | 1.6/3.7                                      | 5.5/10.5    | 234,000 / 360,000                       | 259,000 / 360,000                       |
|            |                    | 2001 - 4500   | 1.6/3.1                                      | 5.5/8.9     | 234,000 / 331,000                       | 234,000 / 331,000                       |
|            | High (2 Stage)     | 0 - 2000      | 1.6/3.7                                      | 5.5/10.5    | 312,000 / 480,000                       | 346,000 / 480,000                       |
|            |                    | 2001 - 4500   | 1.6/3.1                                      | 5.5/8.9     | 312,000 / 442,000                       | 312,000 / 442,000                       |

## COOLING / HEATING RATINGS

NOTE - For Temperatures and Capacities not shown in tables, see bulletin - Cooling Unit Rating Table Correction Factor Data in Miscellaneous Product Data section.

### 3 TON COOLING SDH036U5E (1 COMPRESSOR)

| Entering Wet Bulb Temperature | Total Air Volume | Outdoor Air Temperature Entering Outdoor Coil |                   |                               |      |       |                 |                   |                               |      |       |                 |                   |                               |      |       |                 |                   |                               |       |      |  |  |  |  |
|-------------------------------|------------------|-----------------------------------------------|-------------------|-------------------------------|------|-------|-----------------|-------------------|-------------------------------|------|-------|-----------------|-------------------|-------------------------------|------|-------|-----------------|-------------------|-------------------------------|-------|------|--|--|--|--|
|                               |                  | 85°F                                          |                   |                               |      |       |                 | 95°F              |                               |      |       |                 |                   | 105°F                         |      |       |                 |                   |                               | 115°F |      |  |  |  |  |
|                               |                  | Total Cool Cap.                               | Comp. Motor Input | Sensible To Total Ratio (S/T) |      |       | Total Cool Cap. | Comp. Motor Input | Sensible To Total Ratio (S/T) |      |       | Total Cool Cap. | Comp. Motor Input | Sensible To Total Ratio (S/T) |      |       | Total Cool Cap. | Comp. Motor Input | Sensible To Total Ratio (S/T) |       |      |  |  |  |  |
|                               |                  |                                               |                   | Dry Bulb                      |      |       |                 |                   | Dry Bulb                      |      |       |                 |                   | Dry Bulb                      |      |       |                 |                   | Dry Bulb                      |       |      |  |  |  |  |
| cfm                           | kBtuh            | kW                                            | 75°F              | 80°F                          | 85°F | kBtuh | kW              | 75°F              | 80°F                          | 85°F | kBtuh | kW              | 75°F              | 80°F                          | 85°F | kBtuh | kW              | 75°F              | 80°F                          | 85°F  |      |  |  |  |  |
| 63°F                          | 960              | 33.4                                          | 1.98              | .67                           | .83  | .99   | 30.4            | 2.28              | .67                           | .85  | 1.00  | 27.5            | 2.60              | .68                           | .87  | 1.00  | 24.3            | 2.95              | .69                           | .90   | 1.00 |  |  |  |  |
|                               | 1200             | 36.1                                          | 1.97              | .74                           | .93  | 1.00  | 32.9            | 2.29              | .75                           | .96  | 1.00  | 29.5            | 2.62              | .77                           | 1.00 | 1.00  | 26.3            | 2.97              | .79                           | 1.00  | 1.00 |  |  |  |  |
|                               | 1440             | 38.2                                          | 1.97              | .82                           | 1.00 | 1.00  | 34.9            | 2.29              | .84                           | 1.00 | 1.00  | 31.8            | 2.63              | .87                           | 1.00 | 1.00  | 28.6            | 3.00              | .91                           | 1.00  | 1.00 |  |  |  |  |
| 67°F                          | 960              | 36.7                                          | 1.97              | .53                           | .66  | .79   | 33.5            | 2.29              | .52                           | .66  | .81   | 30.3            | 2.62              | .51                           | .66  | .83   | 26.7            | 2.98              | .50                           | .67   | .86  |  |  |  |  |
|                               | 1200             | 39.1                                          | 1.97              | .58                           | .72  | .90   | 35.5            | 2.29              | .57                           | .74  | .93   | 32.1            | 2.63              | .57                           | .76  | .96   | 28.7            | 3.00              | .57                           | .78   | 1.00 |  |  |  |  |
|                               | 1440             | 40.6                                          | 1.96              | .62                           | .80  | 1.00  | 37.2            | 2.29              | .62                           | .82  | 1.00  | 33.7            | 2.64              | .63                           | .86  | 1.00  | 30.1            | 3.01              | .63                           | .89   | 1.00 |  |  |  |  |
| 71°F                          | 960              | 39.8                                          | 1.96              | .41                           | .52  | .64   | 36.6            | 2.29              | .39                           | .52  | .65   | 33.2            | 2.64              | .37                           | .51  | .65   | 29.8            | 3.01              | .34                           | .50   | .66  |  |  |  |  |
|                               | 1200             | 42.4                                          | 1.95              | .44                           | .57  | .71   | 38.9            | 2.29              | .42                           | .57  | .72   | 35.5            | 2.65              | .41                           | .57  | .74   | 31.7            | 3.02              | .39                           | .57   | .76  |  |  |  |  |
|                               | 1440             | 44.2                                          | 1.95              | .46                           | .62  | .79   | 40.6            | 2.29              | .46                           | .63  | .81   | 37.0            | 2.65              | .44                           | .63  | .84   | 33.1            | 3.03              | .43                           | .64   | .88  |  |  |  |  |

### 3 TON HEATING SDH036U5E

| Indoor Coil Air Volume 70°F Dry Bulb cfm | Air Temperature Entering Outdoor Coil |                   |                        |                   |                        |                   |                        |                   |                        |                   |
|------------------------------------------|---------------------------------------|-------------------|------------------------|-------------------|------------------------|-------------------|------------------------|-------------------|------------------------|-------------------|
|                                          | 65°F                                  |                   | 45°F                   |                   | 25°F                   |                   | 5°F                    |                   | -15°F                  |                   |
|                                          | Total Heating Capacity                | Comp. Motor Input | Total Heating Capacity | Comp. Motor Input | Total Heating Capacity | Comp. Motor Input | Total Heating Capacity | Comp. Motor Input | Total Heating Capacity | Comp. Motor Input |
|                                          | kBtuh                                 | kW                | kBtuh                  | kW                | kBtuh                  | kW                | kBtuh                  | kW                | kBtuh                  | kW                |
| 960                                      | 27.1                                  | 1.1               | 26.8                   | 1.4               | 23.6                   | 1.9               | 22.5                   | 2.6               | 20.6                   | 3.4               |
| 1200                                     | 31.8                                  | 1.3               | 33.8                   | 1.8               | 29.1                   | 2.4               | 27.2                   | 3.3               | 20.6                   | 3.4               |
| 1440                                     | 38.8                                  | 1.6               | 38.8                   | 2.1               | 35.3                   | 3.1               | 30.6                   | 3.8               | 20.6                   | 3.4               |

### 5 TON COOLING SDH060U5E (1 COMPRESSOR)

| Entering Wet Bulb Temperature | Total Air Volume | Outdoor Air Temperature Entering Outdoor Coil |                   |                               |      |       |                 |                   |                               |      |       |                 |                   |                               |      |       |                 |                   |                               |       |      |  |  |  |  |
|-------------------------------|------------------|-----------------------------------------------|-------------------|-------------------------------|------|-------|-----------------|-------------------|-------------------------------|------|-------|-----------------|-------------------|-------------------------------|------|-------|-----------------|-------------------|-------------------------------|-------|------|--|--|--|--|
|                               |                  | 85°F                                          |                   |                               |      |       |                 | 95°F              |                               |      |       |                 |                   | 105°F                         |      |       |                 |                   |                               | 115°F |      |  |  |  |  |
|                               |                  | Total Cool Cap.                               | Comp. Motor Input | Sensible To Total Ratio (S/T) |      |       | Total Cool Cap. | Comp. Motor Input | Sensible To Total Ratio (S/T) |      |       | Total Cool Cap. | Comp. Motor Input | Sensible To Total Ratio (S/T) |      |       | Total Cool Cap. | Comp. Motor Input | Sensible To Total Ratio (S/T) |       |      |  |  |  |  |
|                               |                  |                                               |                   | Dry Bulb                      |      |       |                 |                   | Dry Bulb                      |      |       |                 |                   | Dry Bulb                      |      |       |                 |                   | Dry Bulb                      |       |      |  |  |  |  |
| cfm                           | kBtuh            | kW                                            | 75°F              | 80°F                          | 85°F | kBtuh | kW              | 75°F              | 80°F                          | 85°F | kBtuh | kW              | 75°F              | 80°F                          | 85°F | kBtuh | kW              | 75°F              | 80°F                          | 85°F  |      |  |  |  |  |
| 63°F                          | 1600             | 57.3                                          | 3.49              | .68                           | .83  | .99   | 53.5            | 3.97              | .69                           | .85  | 1.00  | 49.0            | 4.47              | .70                           | .88  | 1.00  | 45.0            | 5.03              | .71                           | .91   | 1.00 |  |  |  |  |
|                               | 2000             | 60.8                                          | 3.52              | .74                           | .94  | 1.00  | 56.9            | 4.00              | .76                           | .97  | 1.00  | 52.4            | 4.52              | .78                           | 1.00 | 1.00  | 48.0            | 5.08              | .81                           | 1.00  | 1.00 |  |  |  |  |
|                               | 2400             | 63.8                                          | 3.53              | .82                           | 1.00 | 1.00  | 60.0            | 4.03              | .84                           | 1.00 | 1.00  | 55.6            | 4.57              | .87                           | 1.00 | 1.00  | 51.6            | 5.15              | .91                           | 1.00  | 1.00 |  |  |  |  |
| 67°F                          | 1600             | 61.9                                          | 3.52              | .54                           | .66  | .80   | 57.7            | 4.01              | .54                           | .67  | .82   | 53.4            | 4.54              | .54                           | .68  | .84   | 48.6            | 5.09              | .54                           | .69   | .88  |  |  |  |  |
|                               | 2000             | 65.3                                          | 3.54              | .58                           | .72  | .90   | 60.7            | 4.04              | .59                           | .74  | .93   | 56.2            | 4.57              | .59                           | .76  | .97   | 51.3            | 5.14              | .60                           | .79   | 1.00 |  |  |  |  |
|                               | 2400             | 67.5                                          | 3.55              | .62                           | .80  | 1.00  | 63.0            | 4.06              | .63                           | .82  | 1.00  | 58.4            | 4.60              | .64                           | .85  | 1.00  | 53.4            | 5.18              | .65                           | .90   | 1.00 |  |  |  |  |
| 71°F                          | 1600             | 66.8                                          | 3.55              | .42                           | .54  | .65   | 62.3            | 4.05              | .42                           | .54  | .66   | 57.8            | 4.60              | .41                           | .54  | .66   | 53.1            | 5.17              | .40                           | .54   | .68  |  |  |  |  |
|                               | 2000             | 70.5                                          | 3.56              | .45                           | .58  | .71   | 65.8            | 4.08              | .45                           | .58  | .72   | 61.0            | 4.63              | .44                           | .59  | .74   | 56.0            | 5.22              | .44                           | .60   | .77  |  |  |  |  |
|                               | 2400             | 73.2                                          | 3.57              | .47                           | .62  | .78   | 68.4            | 4.10              | .47                           | .63  | .80   | 63.1            | 4.66              | .47                           | .64  | .84   | 57.9            | 5.25              | .47                           | .66   | .88  |  |  |  |  |

### 5 TON HEATING SDH060U5E

| Indoor Coil Air Volume 70°F Dry Bulb cfm | Air Temperature Entering Outdoor Coil |                   |                        |                   |                        |                   |                        |                   |                        |                   |
|------------------------------------------|---------------------------------------|-------------------|------------------------|-------------------|------------------------|-------------------|------------------------|-------------------|------------------------|-------------------|
|                                          | 65°F                                  |                   | 45°F                   |                   | 25°F                   |                   | 5°F                    |                   | -15°F                  |                   |
|                                          | Total Heating Capacity                | Comp. Motor Input | Total Heating Capacity | Comp. Motor Input | Total Heating Capacity | Comp. Motor Input | Total Heating Capacity | Comp. Motor Input | Total Heating Capacity | Comp. Motor Input |
|                                          | kBtuh                                 | kW                | kBtuh                  | kW                | kBtuh                  | kW                | kBtuh                  | kW                | kBtuh                  | kW                |
| 1600                                     | 44.2                                  | 2.0               | 45.4                   | 3.3               | 39.5                   | 3.3               | 36.4                   | 4.4               | 32.2                   | 5.3               |
| 2000                                     | 54.1                                  | 2.5               | 56.6                   | 4.0               | 49.3                   | 4.4               | 46.7                   | 5.8               | 32.2                   | 5.2               |
| 2400                                     | 63.6                                  | 3.2               | 65.3                   | 3.3               | 56.6                   | 5.2               | 48.1                   | 5.9               | 32.2                   | 5.2               |

# COOLING / HEATING RATINGS

NOTE - For Temperatures and Capacities not shown in tables, see bulletin - Cooling Unit Rating Table Correction Factor Data in Miscellaneous Product Data section.

## 7.5 TON COOLING SDH092U5E (1 COMPRESSOR)

| Entering Wet Bulb Temperature | Total Air Volume | Outdoor Air Temperature Entering Outdoor Coil |                   |                               |      |       |                 |                   |                               |      |       |                 |                   |                               |      |       |                 |                   |                               |       |      |  |  |  |  |
|-------------------------------|------------------|-----------------------------------------------|-------------------|-------------------------------|------|-------|-----------------|-------------------|-------------------------------|------|-------|-----------------|-------------------|-------------------------------|------|-------|-----------------|-------------------|-------------------------------|-------|------|--|--|--|--|
|                               |                  | 85°F                                          |                   |                               |      |       |                 | 95°F              |                               |      |       |                 |                   | 105°F                         |      |       |                 |                   |                               | 115°F |      |  |  |  |  |
|                               |                  | Total Cool Cap.                               | Comp. Motor Input | Sensible To Total Ratio (S/T) |      |       | Total Cool Cap. | Comp. Motor Input | Sensible To Total Ratio (S/T) |      |       | Total Cool Cap. | Comp. Motor Input | Sensible To Total Ratio (S/T) |      |       | Total Cool Cap. | Comp. Motor Input | Sensible To Total Ratio (S/T) |       |      |  |  |  |  |
|                               |                  |                                               |                   | Dry Bulb                      |      |       |                 |                   | Dry Bulb                      |      |       |                 |                   | Dry Bulb                      |      |       |                 |                   | Dry Bulb                      |       |      |  |  |  |  |
| cfm                           | kBtuh            | kW                                            | 75°F              | 80°F                          | 85°F | kBtuh | kW              | 75°F              | 80°F                          | 85°F | kBtuh | kW              | 75°F              | 80°F                          | 85°F | kBtuh | kW              | 75°F              | 80°F                          | 85°F  |      |  |  |  |  |
| 63°F                          | 2400             | 83.9                                          | 4.53              | .71                           | .87  | 1.00  | 80.3            | 5.20              | .72                           | .91  | 1.00  | 77.4            | 5.93              | .74                           | .93  | 1.00  | 73.8            | 6.72              | .75                           | .97   | 1.00 |  |  |  |  |
|                               | 3000             | 87.9                                          | 4.55              | .77                           | 1.00 | 1.00  | 84.6            | 5.25              | .79                           | 1.00 | 1.00  | 81.0            | 5.99              | .82                           | 1.00 | 1.00  | 77.6            | 6.80              | .86                           | 1.00  | 1.00 |  |  |  |  |
|                               | 3600             | 91.9                                          | 4.58              | .86                           | 1.00 | 1.00  | 88.7            | 5.30              | .89                           | 1.00 | 1.00  | 85.1            | 6.07              | .93                           | 1.00 | 1.00  | 81.8            | 6.89              | .97                           | 1.00  | 1.00 |  |  |  |  |
| 67°F                          | 2400             | 89.1                                          | 4.56              | .57                           | .69  | .83   | 85.6            | 5.26              | .57                           | .70  | .86   | 82.0            | 6.01              | .58                           | .72  | .89   | 78.2            | 6.81              | .59                           | .73   | .92  |  |  |  |  |
|                               | 3000             | 93.3                                          | 4.60              | .60                           | .75  | .96   | 89.8            | 5.31              | .62                           | .77  | .99   | 85.3            | 6.07              | .63                           | .80  | 1.00  | 81.5            | 6.88              | .64                           | .83   | 1.00 |  |  |  |  |
|                               | 3600             | 96.0                                          | 4.62              | .64                           | .83  | 1.00  | 92.0            | 5.34              | .66                           | .87  | 1.00  | 88.2            | 6.11              | .67                           | .90  | 1.00  | 84.0            | 6.94              | .69                           | .94   | 1.00 |  |  |  |  |
| 71°F                          | 2400             | 94.6                                          | 4.61              | .44                           | .55  | .67   | 91.0            | 5.33              | .44                           | .56  | .68   | 87.3            | 6.10              | .45                           | .57  | .70   | 83.5            | 6.92              | .45                           | .58   | .71  |  |  |  |  |
|                               | 3000             | 99.1                                          | 4.64              | .47                           | .60  | .72   | 95.1            | 5.38              | .47                           | .61  | .75   | 91.0            | 6.17              | .47                           | .62  | .76   | 86.5            | 7.00              | .48                           | .64   | .80  |  |  |  |  |
|                               | 3600             | 102.3                                         | 4.67              | .48                           | .65  | .81   | 98.1            | 5.42              | .49                           | .65  | .84   | 93.4            | 6.20              | .50                           | .67  | .87   | 88.9            | 7.05              | .51                           | .68   | .92  |  |  |  |  |

## 7.5 TON HEATING SDH092U5E

| Indoor Coil Air Volume 70°F Dry Bulb cfm | Air Temperature Entering Outdoor Coil |                   |                        |                   |                        |                   |                        |                   |                        |                   |
|------------------------------------------|---------------------------------------|-------------------|------------------------|-------------------|------------------------|-------------------|------------------------|-------------------|------------------------|-------------------|
|                                          | 65°F                                  |                   | 45°F                   |                   | 25°F                   |                   | 5°F                    |                   | -15°F                  |                   |
|                                          | Total Heating Capacity                | Comp. Motor Input | Total Heating Capacity | Comp. Motor Input | Total Heating Capacity | Comp. Motor Input | Total Heating Capacity | Comp. Motor Input | Total Heating Capacity | Comp. Motor Input |
|                                          | kBtuh                                 | kW                | kBtuh                  | kW                | kBtuh                  | kW                | kBtuh                  | kW                | kBtuh                  | kW                |
| 2400                                     | 66.3                                  | 2.7               | 65.7                   | 3.4               | 59.2                   | 5.0               | 53.9                   | 7.2               | 43.8                   | 8.8               |
| 3000                                     | 81.9                                  | 3.4               | 82.9                   | 4.5               | 72.9                   | 6.7               | 65.7                   | 9.6               | 43.9                   | 8.7               |
| 3600                                     | 96.8                                  | 4.2               | 97.3                   | 5.5               | 84.3                   | 8.4               | 66.1                   | 9.4               | 43.9                   | 8.7               |

## 10 TON COOLING SDH120U5E (1 COMPRESSOR)

| Entering Wet Bulb Temperature | Total Air Volume | Outdoor Air Temperature Entering Outdoor Coil |                   |                               |      |       |                 |                   |                               |      |       |                 |                   |                               |      |       |                 |                   |                               |       |      |  |  |  |  |
|-------------------------------|------------------|-----------------------------------------------|-------------------|-------------------------------|------|-------|-----------------|-------------------|-------------------------------|------|-------|-----------------|-------------------|-------------------------------|------|-------|-----------------|-------------------|-------------------------------|-------|------|--|--|--|--|
|                               |                  | 85°F                                          |                   |                               |      |       |                 | 95°F              |                               |      |       |                 |                   | 105°F                         |      |       |                 |                   |                               | 115°F |      |  |  |  |  |
|                               |                  | Total Cool Cap.                               | Comp. Motor Input | Sensible To Total Ratio (S/T) |      |       | Total Cool Cap. | Comp. Motor Input | Sensible To Total Ratio (S/T) |      |       | Total Cool Cap. | Comp. Motor Input | Sensible To Total Ratio (S/T) |      |       | Total Cool Cap. | Comp. Motor Input | Sensible To Total Ratio (S/T) |       |      |  |  |  |  |
|                               |                  |                                               |                   | Dry Bulb                      |      |       |                 |                   | Dry Bulb                      |      |       |                 |                   | Dry Bulb                      |      |       |                 |                   | Dry Bulb                      |       |      |  |  |  |  |
| cfm                           | kBtuh            | kW                                            | 75°F              | 80°F                          | 85°F | kBtuh | kW              | 75°F              | 80°F                          | 85°F | kBtuh | kW              | 75°F              | 80°F                          | 85°F | kBtuh | kW              | 75°F              | 80°F                          | 85°F  |      |  |  |  |  |
| 63°F                          | 3200             | 112.7                                         | 6.50              | .68                           | .85  | 1.00  | 109.1           | 7.37              | .70                           | .87  | 1.00  | 104.2           | 8.31              | .71                           | .91  | 1.00  | 99.2            | 9.35              | .73                           | .95   | 1.00 |  |  |  |  |
|                               | 4000             | 118.0                                         | 6.54              | .74                           | .98  | 1.00  | 113.7           | 7.42              | .76                           | 1.00 | 1.00  | 109.0           | 8.37              | .79                           | 1.00 | 1.00  | 104.1           | 9.44              | .83                           | 1.00  | 1.00 |  |  |  |  |
|                               | 4800             | 122.5                                         | 6.58              | .83                           | 1.00 | 1.00  | 119.0           | 7.48              | .85                           | 1.00 | 1.00  | 113.9           | 8.45              | .89                           | 1.00 | 1.00  | 109.3           | 9.53              | .93                           | 1.00  | 1.00 |  |  |  |  |
| 67°F                          | 3200             | 119.2                                         | 6.55              | .55                           | .66  | .80   | 114.9           | 7.44              | .56                           | .67  | .83   | 110.4           | 8.40              | .56                           | .70  | .86   | 105.2           | 9.45              | .58                           | .71   | .90  |  |  |  |  |
|                               | 4000             | 124.7                                         | 6.60              | .58                           | .72  | .93   | 120.0           | 7.49              | .60                           | .74  | .97   | 115.0           | 8.46              | .60                           | .76  | 1.00  | 109.7           | 9.53              | .62                           | .80   | 1.00 |  |  |  |  |
|                               | 4800             | 128.9                                         | 6.63              | .62                           | .80  | 1.00  | 123.8           | 7.53              | .64                           | .83  | 1.00  | 118.5           | 8.50              | .65                           | .87  | 1.00  | 111.9           | 9.56              | .66                           | .92   | 1.00 |  |  |  |  |
| 71°F                          | 3200             | 126.4                                         | 6.61              | .43                           | .54  | .65   | 121.8           | 7.51              | .44                           | .55  | .66   | 117.0           | 8.48              | .44                           | .56  | .67   | 111.6           | 9.56              | .44                           | .58   | .70  |  |  |  |  |
|                               | 4000             | 132.2                                         | 6.66              | .44                           | .58  | .71   | 126.2           | 7.55              | .45                           | .59  | .72   | 120.7           | 8.53              | .46                           | .60  | .74   | 115.0           | 9.61              | .47                           | .62   | .78  |  |  |  |  |
|                               | 4800             | 135.2                                         | 6.68              | .46                           | .62  | .78   | 129.7           | 7.58              | .48                           | .64  | .81   | 123.9           | 8.57              | .50                           | .65  | .85   | 117.8           | 9.66              | .50                           | .65   | .89  |  |  |  |  |

## 10 TON HEATING SDH120U5E

| Indoor Coil Air Volume 70°F Dry Bulb cfm | Air Temperature Entering Outdoor Coil |                   |                        |                   |                        |                   |                        |                   |                        |                   |
|------------------------------------------|---------------------------------------|-------------------|------------------------|-------------------|------------------------|-------------------|------------------------|-------------------|------------------------|-------------------|
|                                          | 65°F                                  |                   | 45°F                   |                   | 25°F                   |                   | 5°F                    |                   | -15°F                  |                   |
|                                          | Total Heating Capacity                | Comp. Motor Input | Total Heating Capacity | Comp. Motor Input | Total Heating Capacity | Comp. Motor Input | Total Heating Capacity | Comp. Motor Input | Total Heating Capacity | Comp. Motor Input |
|                                          | kBtuh                                 | kW                | kBtuh                  | kW                | kBtuh                  | kW                | kBtuh                  | kW                | kBtuh                  | kW                |
| 3200                                     | 87.1                                  | 3.6               | 86.0                   | 4.6               | 78.1                   | 6.9               | 76.2                   | 11.0              | 65.3                   | 13.3              |
| 4000                                     | 110.6                                 | 5.0               | 112.0                  | 6.4               | 98.2                   | 9.5               | 93.9                   | 14.4              | 65.0                   | 13.2              |
| 4800                                     | 134.1                                 | 6.5               | 133.5                  | 8.1               | 117.5                  | 12.6              | 95.3                   | 14.5              | 65.1                   | 13.2              |

# COOLING / HEATING RATINGS

NOTE - For Temperatures and Capacities not shown in tables, see bulletin - Cooling Unit Rating Table Correction Factor Data in Miscellaneous Product Data section.

## 15 TON COOLING SDH180U5E (2 COMPRESSORS)

| Entering Wet Bulb Temperature | Total Air Volume<br>cfm | Outdoor Air Temperature Entering Outdoor Coil |                   |                               |      |      |                 |                   |                               |      |      |                 |                   |                               |      |      |                 |                   |                               |       |      |  |  |  |  |
|-------------------------------|-------------------------|-----------------------------------------------|-------------------|-------------------------------|------|------|-----------------|-------------------|-------------------------------|------|------|-----------------|-------------------|-------------------------------|------|------|-----------------|-------------------|-------------------------------|-------|------|--|--|--|--|
|                               |                         | 85°F                                          |                   |                               |      |      |                 | 95°F              |                               |      |      |                 |                   | 105°F                         |      |      |                 |                   |                               | 115°F |      |  |  |  |  |
|                               |                         | Total Cool Cap.                               | Comp. Motor Input | Sensible To Total Ratio (S/T) |      |      | Total Cool Cap. | Comp. Motor Input | Sensible To Total Ratio (S/T) |      |      | Total Cool Cap. | Comp. Motor Input | Sensible To Total Ratio (S/T) |      |      | Total Cool Cap. | Comp. Motor Input | Sensible To Total Ratio (S/T) |       |      |  |  |  |  |
|                               |                         |                                               |                   | Dry Bulb                      |      |      |                 |                   | Dry Bulb                      |      |      |                 |                   | Dry Bulb                      |      |      |                 |                   | Dry Bulb                      |       |      |  |  |  |  |
|                               |                         | 75°F                                          | 80°F              | 85°F                          |      |      | 75°F            | 80°F              | 85°F                          |      |      | 75°F            | 80°F              | 85°F                          |      |      | 75°F            | 80°F              | 85°F                          |       |      |  |  |  |  |
| 63°F                          | 4480                    | 164.8                                         | 8.84              | .74                           | .89  | 1.00 | 157.6           | 10.15             | .75                           | .91  | 1.00 | 150.9           | 11.55             | .77                           | .93  | 1.00 | 143.1           | 13.07             | .79                           | .95   | 1.00 |  |  |  |  |
|                               | 5600                    | 172.8                                         | 8.87              | .80                           | .97  | 1.00 | 165.4           | 10.20             | .82                           | .99  | 1.00 | 158.8           | 11.63             | .84                           | 1.00 | 1.00 | 152.1           | 13.20             | .86                           | 1.00  | 1.00 |  |  |  |  |
|                               | 6720                    | 181.2                                         | 8.88              | .86                           | 1.00 | 1.00 | 174.6           | 10.25             | .88                           | 1.00 | 1.00 | 167.7           | 11.71             | .90                           | 1.00 | 1.00 | 160.8           | 13.30             | .93                           | 1.00  | 1.00 |  |  |  |  |
| 67°F                          | 4480                    | 176.2                                         | 8.87              | .58                           | .71  | .85  | 168.4           | 10.22             | .59                           | .73  | .87  | 160.9           | 11.65             | .59                           | .74  | .89  | 153.3           | 13.21             | .61                           | .76   | .91  |  |  |  |  |
|                               | 5600                    | 184.0                                         | 8.89              | .61                           | .77  | .93  | 176.2           | 10.26             | .62                           | .79  | .95  | 168.4           | 11.72             | .63                           | .81  | .98  | 160.0           | 13.30             | .65                           | .83   | 1.00 |  |  |  |  |
|                               | 6720                    | 189.7                                         | 8.89              | .65                           | .84  | 1.00 | 181.7           | 10.28             | .66                           | .85  | 1.00 | 173.1           | 11.76             | .68                           | .88  | 1.00 | 164.6           | 13.35             | .69                           | .90   | 1.00 |  |  |  |  |
| 71°F                          | 4480                    | 187.1                                         | 8.89              | .43                           | .56  | .69  | 179.4           | 10.27             | .44                           | .57  | .70  | 171.7           | 11.75             | .44                           | .58  | .72  | 163.7           | 13.34             | .44                           | .59   | .74  |  |  |  |  |
|                               | 5600                    | 195.7                                         | 8.90              | .45                           | .60  | .75  | 187.5           | 10.31             | .45                           | .61  | .77  | 179.4           | 11.82             | .46                           | .62  | .79  | 170.7           | 13.44             | .46                           | .64   | .81  |  |  |  |  |
|                               | 6720                    | 201.5                                         | 8.91              | .46                           | .64  | .81  | 193.0           | 10.35             | .47                           | .65  | .83  | 184.3           | 11.87             | .47                           | .67  | .85  | 175.3           | 13.49             | .48                           | .68   | .88  |  |  |  |  |

## 15 TON HEATING SDH180U5E

| Indoor Coil Air Volume<br>70°F Dry Bulb<br>cfm | Air Temperature Entering Outdoor Coil |                         |                                 |                         |                                 |                         |                                 |                         |                                 |                         |
|------------------------------------------------|---------------------------------------|-------------------------|---------------------------------|-------------------------|---------------------------------|-------------------------|---------------------------------|-------------------------|---------------------------------|-------------------------|
|                                                | 65°F                                  |                         | 45°F                            |                         | 25°F                            |                         | 5°F                             |                         | -15°F                           |                         |
|                                                | Total Heating Capacity<br>kBtuh       | Comp. Motor Input<br>kW | Total Heating Capacity<br>kBtuh | Comp. Motor Input<br>kW | Total Heating Capacity<br>kBtuh | Comp. Motor Input<br>kW | Total Heating Capacity<br>kBtuh | Comp. Motor Input<br>kW | Total Heating Capacity<br>kBtuh | Comp. Motor Input<br>kW |
| 4480                                           | 118.9                                 | 4.7                     | 120.7                           | 6.6                     | 107.6                           | 9.8                     | 109.0                           | 15.5                    | 88.7                            | 16.8                    |
| 5600                                           | 151.1                                 | 6.1                     | 151.3                           | 8.8                     | 130.9                           | 12.8                    | 127.1                           | 19.3                    | 88.9                            | 16.1                    |
| 6720                                           | 182.3                                 | 7.8                     | 175.3                           | 10.6                    | 157.0                           | 16.9                    | 129.7                           | 18.6                    | 89.0                            | 15.7                    |

## 20 TON COOLING SDH240U5E (2 COMPRESSORS)

| Entering Wet Bulb Temperature | Total Air Volume<br>cfm | Outdoor Air Temperature Entering Outdoor Coil |                   |                               |     |      |                 |                   |                               |      |      |                 |                   |                               |      |      |                 |                   |                               |       |      |  |  |  |  |
|-------------------------------|-------------------------|-----------------------------------------------|-------------------|-------------------------------|-----|------|-----------------|-------------------|-------------------------------|------|------|-----------------|-------------------|-------------------------------|------|------|-----------------|-------------------|-------------------------------|-------|------|--|--|--|--|
|                               |                         | 85°F                                          |                   |                               |     |      |                 | 95°F              |                               |      |      |                 |                   | 105°F                         |      |      |                 |                   |                               | 115°F |      |  |  |  |  |
|                               |                         | Total Cool Cap.                               | Comp. Motor Input | Sensible To Total Ratio (S/T) |     |      | Total Cool Cap. | Comp. Motor Input | Sensible To Total Ratio (S/T) |      |      | Total Cool Cap. | Comp. Motor Input | Sensible To Total Ratio (S/T) |      |      | Total Cool Cap. | Comp. Motor Input | Sensible To Total Ratio (S/T) |       |      |  |  |  |  |
|                               |                         |                                               |                   | Dry Bulb                      |     |      |                 |                   | Dry Bulb                      |      |      |                 |                   | Dry Bulb                      |      |      |                 |                   | Dry Bulb                      |       |      |  |  |  |  |
|                               |                         | 75°F                                          | 80°F              | 85°F                          |     |      | 75°F            | 80°F              | 85°F                          |      |      | 75°F            | 80°F              | 85°F                          |      |      | 75°F            | 80°F              | 85°F                          |       |      |  |  |  |  |
| 63°F                          | 5680                    | 219.1                                         | 14.49             | .71                           | .85 | .97  | 210.5           | 16.28             | .73                           | .86  | .99  | 199.8           | 18.27             | .74                           | .89  | 1.00 | 190.3           | 20.51             | .76                           | .91   | 1.00 |  |  |  |  |
|                               | 7100                    | 229.2                                         | 14.59             | .77                           | .92 | 1.00 | 219.9           | 16.45             | .78                           | .94  | 1.00 | 209.5           | 18.41             | .80                           | .96  | 1.00 | 198.2           | 20.66             | .82                           | .99   | 1.00 |  |  |  |  |
|                               | 8520                    | 236.8                                         | 14.65             | .82                           | .99 | 1.00 | 227.6           | 16.52             | .84                           | 1.00 | 1.00 | 218.4           | 18.56             | .86                           | 1.00 | 1.00 | 208.7           | 20.84             | .88                           | 1.00  | 1.00 |  |  |  |  |
| 67°F                          | 5680                    | 232.3                                         | 14.62             | .56                           | .69 | .81  | 222.4           | 16.47             | .57                           | .70  | .83  | 212.9           | 18.48             | .58                           | .72  | .85  | 202.5           | 20.73             | .59                           | .73   | .87  |  |  |  |  |
|                               | 7100                    | 243.5                                         | 14.71             | .59                           | .74 | .89  | 233.5           | 16.59             | .60                           | .76  | .91  | 222.0           | 18.65             | .61                           | .78  | .93  | 210.3           | 20.86             | .63                           | .80   | .96  |  |  |  |  |
|                               | 8520                    | 250.4                                         | 14.76             | .63                           | .80 | .95  | 239.4           | 16.65             | .64                           | .81  | .98  | 228.0           | 18.73             | .65                           | .84  | 1.00 | 215.7           | 20.96             | .67                           | .86   | 1.00 |  |  |  |  |
| 71°F                          | 5680                    | 246.1                                         | 14.73             | .43                           | .55 | .66  | 236.3           | 16.61             | .43                           | .55  | .68  | 225.0           | 18.69             | .43                           | .56  | .69  | 214.5           | 20.93             | .44                           | .57   | .71  |  |  |  |  |
|                               | 7100                    | 257.6                                         | 14.81             | .44                           | .58 | .72  | 246.7           | 16.72             | .44                           | .59  | .73  | 234.9           | 18.82             | .45                           | .60  | .75  | 222.2           | 21.10             | .45                           | .62   | .77  |  |  |  |  |
|                               | 8520                    | 265.2                                         | 14.87             | .45                           | .61 | .77  | 253.7           | 16.79             | .46                           | .63  | .79  | 241.6           | 18.90             | .46                           | .64  | .82  | 228.1           | 21.19             | .47                           | .66   | .84  |  |  |  |  |

## 20 TON HEATING SDH240U5E

| Indoor Coil Air Volume<br>70°F Dry Bulb<br>cfm | Air Temperature Entering Outdoor Coil |                         |                                 |                         |                                 |                         |                                 |                         |                                 |                         |
|------------------------------------------------|---------------------------------------|-------------------------|---------------------------------|-------------------------|---------------------------------|-------------------------|---------------------------------|-------------------------|---------------------------------|-------------------------|
|                                                | 65°F                                  |                         | 45°F                            |                         | 25°F                            |                         | 5°F                             |                         | -15°F                           |                         |
|                                                | Total Heating Capacity<br>kBtuh       | Comp. Motor Input<br>kW | Total Heating Capacity<br>kBtuh | Comp. Motor Input<br>kW | Total Heating Capacity<br>kBtuh | Comp. Motor Input<br>kW | Total Heating Capacity<br>kBtuh | Comp. Motor Input<br>kW | Total Heating Capacity<br>kBtuh | Comp. Motor Input<br>kW |
| 5680                                           | 158.6                                 | 6.4                     | 153.4                           | 8.6                     | 143.3                           | 13.3                    | 140.5                           | 19.3                    | 132.6                           | 24.9                    |
| 7100                                           | 190.0                                 | 7.8                     | 198.1                           | 11.9                    | 183.7                           | 18.7                    | 179.6                           | 26.6                    | 128.3                           | 24.1                    |
| 8520                                           | 219.5                                 | 9.2                     | 220.5                           | 13.4                    | 221.7                           | 24.7                    | 188.2                           | 27.6                    | 126.9                           | 23.8                    |

**BLOWER DATA**

**SDH036U5E / SDH060U5E BLOWER PERFORMANCE**

NOTE - Blower Table Includes Resistance For Base Unit With Wet Indoor Coil And Air Filters In Place.

See page 26 for Factory Installed Options/Accessory Air Resistance Data.

See page 27 for Minimum Air Volume Required For Use With Gas Heat.

| Air Volume<br>cfm | EXTERNAL STATIC PRESSURE - In. w.g. |       |      |       |      |       |      |       |      |       |      |       |      |       |      |       |      |       |      |       |
|-------------------|-------------------------------------|-------|------|-------|------|-------|------|-------|------|-------|------|-------|------|-------|------|-------|------|-------|------|-------|
|                   | 0.1                                 |       | 0.2  |       | 0.3  |       | 0.4  |       | 0.5  |       | 0.6  |       | 0.7  |       | 0.8  |       | 0.9  |       | 1.0  |       |
|                   | RPM                                 | Watts | RPM  | Watts | RPM  | Watts | RPM  | Watts | RPM  | Watts | RPM  | Watts | RPM  | Watts | RPM  | Watts | RPM  | Watts | RPM  | Watts |
| 900               | 1163                                | 129   | 1253 | 148   | 1341 | 165   | 1428 | 181   | 1512 | 191   | 1587 | 206   | 1653 | 232   | 1714 | 266   | 1775 | 301   | 1835 | 333   |
| 1000              | 1315                                | 129   | 1396 | 152   | 1475 | 174   | 1552 | 195   | 1626 | 216   | 1692 | 242   | 1752 | 277   | 1810 | 316   | 1870 | 351   | 1928 | 382   |
| 1100              | 1463                                | 131   | 1531 | 164   | 1599 | 197   | 1666 | 229   | 1730 | 261   | 1791 | 295   | 1850 | 331   | 1907 | 367   | 1964 | 400   | 2021 | 432   |
| 1200              | 1576                                | 173   | 1640 | 210   | 1705 | 247   | 1769 | 283   | 1832 | 319   | 1893 | 353   | 1952 | 387   | 2010 | 420   | 2067 | 452   | 2124 | 485   |
| 1300              | 1683                                | 225   | 1749 | 263   | 1814 | 300   | 1878 | 337   | 1941 | 372   | 2002 | 407   | 2061 | 441   | 2119 | 474   | 2176 | 507   | 2235 | 538   |
| 1400              | 1796                                | 279   | 1862 | 317   | 1927 | 354   | 1991 | 391   | 2054 | 427   | 2114 | 463   | 2173 | 497   | 2231 | 530   | 2289 | 563   | 2345 | 595   |
| 1500              | 1912                                | 332   | 1977 | 371   | 2042 | 409   | 2105 | 446   | 2168 | 482   | 2228 | 517   | 2287 | 552   | 2345 | 585   | 2401 | 618   | 2453 | 652   |
| 1600              | 2037                                | 368   | 2100 | 410   | 2163 | 452   | 2224 | 492   | 2284 | 532   | 2343 | 570   | 2399 | 607   | 2454 | 643   | 2507 | 679   | 2553 | 716   |
| 1700              | 2161                                | 403   | 2221 | 453   | 2280 | 502   | 2338 | 548   | 2393 | 594   | 2445 | 637   | 2496 | 678   | 2545 | 718   | 2592 | 757   | 2633 | 798   |
| 1800              | 2271                                | 463   | 2329 | 519   | 2384 | 574   | 2437 | 625   | 2487 | 674   | 2533 | 721   | 2578 | 765   | 2621 | 808   | 2663 | 851   | 2701 | 892   |
| 1900              | 2372                                | 545   | 2429 | 602   | 2482 | 657   | 2533 | 709   | 2579 | 758   | 2623 | 805   | 2665 | 850   | 2705 | 893   | 2745 | 936   | 2782 | 977   |
| 2000              | 2475                                | 631   | 2530 | 687   | 2582 | 741   | 2631 | 792   | 2676 | 840   | 2718 | 886   | 2758 | 930   | 2797 | 973   | 2836 | 1015  | 2872 | 1056  |
| 2100              | 2582                                | 719   | 2635 | 774   | 2684 | 827   | 2731 | 876   | 2774 | 923   | 2814 | 968   | 2853 | 1011  | 2892 | 1054  | 2928 | 1095  | 2964 | 1136  |
| 2200              | 2694                                | 811   | 2742 | 863   | 2789 | 914   | 2833 | 962   | 2874 | 1007  | 2913 | 1051  | 2951 | 1094  | 2987 | 1136  | 3023 | 1176  | 3058 | 1216  |
| 2300              | 2807                                | 904   | 2852 | 954   | 2896 | 1002  | 2937 | 1048  | 2976 | 1093  | 3013 | 1136  | 3050 | 1177  | 3085 | 1218  | 3119 | 1258  | 3153 | 1298  |
| 2400              | 2921                                | 998   | 2963 | 1045  | 3003 | 1091  | 3042 | 1136  | 3079 | 1179  | 3114 | 1220  | 3149 | 1261  | 3183 | 1301  | 3216 | 1341  | 3249 | 1379  |
| Air Volume<br>cfm | 1.1                                 |       | 1.2  |       | 1.3  |       | 1.4  |       | 1.5  |       | 1.6  |       | 1.7  |       | 1.8  |       | 1.9  |       | 2.0  |       |
|                   | RPM                                 | Watts | RPM  | Watts | RPM  | Watts | RPM  | Watts | RPM  | Watts | RPM  | Watts | RPM  | Watts | RPM  | Watts | RPM  | Watts | RPM  | Watts |
|                   | 1892                                | 364   | 1946 | 393   | 1997 | 422   | 2047 | 449   | 2095 | 476   | 2141 | 501   | 2186 | 524   | 2229 | 546   | 2271 | 569   | 2313 | 592   |
| 1000              | 1983                                | 413   | 2036 | 442   | 2086 | 471   | 2136 | 498   | 2184 | 525   | 2232 | 550   | 2278 | 575   | 2322 | 600   | 2364 | 625   | 2403 | 653   |
| 1100              | 2076                                | 462   | 2128 | 492   | 2179 | 521   | 2229 | 549   | 2279 | 576   | 2328 | 603   | 2375 | 630   | 2418 | 659   | 2456 | 689   | 2489 | 721   |
| 1200              | 2180                                | 516   | 2233 | 546   | 2285 | 575   | 2336 | 604   | 2386 | 632   | 2434 | 660   | 2477 | 690   | 2515 | 721   | 2547 | 755   | 2574 | 791   |
| 1300              | 2291                                | 569   | 2343 | 600   | 2392 | 632   | 2437 | 663   | 2482 | 694   | 2524 | 726   | 2562 | 759   | 2595 | 793   | 2623 | 829   | 2648 | 866   |
| 1400              | 2397                                | 628   | 2440 | 663   | 2477 | 701   | 2511 | 739   | 2549 | 775   | 2585 | 810   | 2619 | 845   | 2651 | 880   | 2680 | 916   | 2709 | 952   |
| 1500              | 2496                                | 690   | 2529 | 732   | 2554 | 776   | 2580 | 820   | 2614 | 858   | 2648 | 895   | 2682 | 931   | 2715 | 965   | 2747 | 1000  | 2779 | 1034  |
| 1600              | 2589                                | 758   | 2616 | 803   | 2638 | 851   | 2662 | 895   | 2696 | 932   | 2735 | 958   | 2775 | 977   | 2814 | 996   | 2852 | 1018  | 2887 | 1046  |
| 1700              | 2667                                | 841   | 2694 | 886   | 2720 | 931   | 2747 | 974   | 2782 | 1008  | 2825 | 1022  | 2870 | 1026  | 2913 | 1035  | 2951 | 1056  | 2982 | 1096  |
| 1800              | 2736                                | 933   | 2769 | 974   | 2801 | 1014  | 2833 | 1054  | 2869 | 1087  | 2911 | 1102  | 2952 | 1115  | 2988 | 1143  | 3015 | 1195  | 3031 | 1277  |
| 1900              | 2818                                | 1017  | 2852 | 1055  | 2887 | 1094  | 2921 | 1132  | 2955 | 1167  | 2991 | 1197  | 3023 | 1238  | 3045 | 1303  | 3055 | 1400  | 3053 | 1529  |
| 2000              | 2907                                | 1095  | 2942 | 1134  | 2976 | 1173  | 3010 | 1211  | 3043 | 1248  | 3072 | 1295  | 3092 | 1366  | 3100 | 1469  | 3094 | 1608  | 3076 | 1780  |
| 2100              | 2999                                | 1175  | 3033 | 1214  | 3067 | 1252  | 3100 | 1290  | 3132 | 1330  | 3155 | 1394  | 3163 | 1494  | 3156 | 1635  | 3134 | 1817  | 3100 | 2032  |
| 2200              | 3092                                | 1255  | 3125 | 1294  | 3158 | 1331  | 3191 | 1369  | 3222 | 1411  | 3238 | 1492  | 3235 | 1622  | 3213 | 1801  | 3175 | 2026  | 3124 | 2283  |
| 2300              | 3186                                | 1336  | 3218 | 1373  | 3250 | 1411  | 3283 | 1448  | 3312 | 1493  | 3321 | 1590  | 3307 | 1750  | 3270 | 1967  | 3215 | 2234  | 3147 | 2535  |
| 2400              | 3280                                | 1417  | 3311 | 1453  | 3342 | 1490  | 3374 | 1526  | 3402 | 1574  | 3405 | 1689  | 3379 | 1878  | 3327 | 2134  | 3256 | 2443  | 3171 | 2787  |

**BLOWER DATA**

**SDH092U5E / SDH120U5E BLOWER PERFORMANCE**

NOTE - Blower Table Includes Resistance For Base Unit With Wet Indoor Coil And Air Filters In Place.

See page 26 for Factory Installed Options/Accessory Air Resistance Data.

See page 27 for Minimum Air Volume Required For Use With Gas Heat.

| Air Volume<br>cfm | EXTERNAL STATIC PRESSURE - In. w.g. |       |      |       |      |       |      |       |      |       |      |       |      |       |
|-------------------|-------------------------------------|-------|------|-------|------|-------|------|-------|------|-------|------|-------|------|-------|
|                   | 0.1                                 |       | 0.2  |       | 0.3  |       | 0.4  |       | 0.5  |       | 0.6  |       | 0.7  |       |
|                   | RPM                                 | Watts | RPM  | Watts | RPM  | Watts | RPM  | Watts | RPM  | Watts | RPM  | Watts | RPM  | Watts |
| 2000              | 731                                 | 241   | 775  | 292   | 820  | 342   | 865  | 392   | 910  | 443   | 954  | 494   | 998  | 547   |
| 2200              | 772                                 | 289   | 818  | 342   | 863  | 395   | 908  | 447   | 953  | 500   | 996  | 554   | 1038 | 610   |
| 2400              | 819                                 | 344   | 865  | 398   | 910  | 453   | 955  | 508   | 998  | 563   | 1040 | 620   | 1081 | 679   |
| 2600              | 871                                 | 403   | 916  | 460   | 960  | 516   | 1003 | 574   | 1046 | 632   | 1086 | 692   | 1125 | 755   |
| 2800              | 926                                 | 466   | 969  | 525   | 1012 | 584   | 1054 | 645   | 1095 | 706   | 1134 | 770   | 1171 | 836   |
| 3000              | 982                                 | 534   | 1024 | 596   | 1066 | 659   | 1106 | 723   | 1145 | 788   | 1182 | 856   | 1218 | 926   |
| 3200              | 1040                                | 610   | 1081 | 676   | 1121 | 743   | 1159 | 811   | 1197 | 881   | 1232 | 953   | 1267 | 1026  |
| 3400              | 1099                                | 697   | 1138 | 767   | 1177 | 838   | 1214 | 911   | 1249 | 985   | 1283 | 1061  | 1316 | 1138  |
| 3600              | 1158                                | 796   | 1196 | 870   | 1233 | 946   | 1268 | 1023  | 1302 | 1101  | 1334 | 1180  | 1365 | 1261  |
| 3800              | 1219                                | 908   | 1255 | 986   | 1290 | 1065  | 1323 | 1146  | 1355 | 1228  | 1385 | 1311  | 1415 | 1395  |
| 4000              | 1280                                | 1034  | 1314 | 1114  | 1346 | 1196  | 1377 | 1280  | 1407 | 1365  | 1436 | 1451  | 1464 | 1539  |
| 4200              | 1340                                | 1171  | 1372 | 1254  | 1402 | 1339  | 1431 | 1425  | 1459 | 1513  | 1486 | 1602  | 1512 | 1693  |
| 4400              | 1400                                | 1318  | 1429 | 1404  | 1457 | 1491  | 1484 | 1580  | 1509 | 1670  | 1534 | 1762  | 1559 | 1854  |
| 4600              | 1457                                | 1473  | 1484 | 1562  | 1509 | 1652  | 1534 | 1743  | 1558 | 1835  | 1582 | 1927  | 1605 | 2020  |
| 4800              | 1511                                | 1635  | 1536 | 1726  | 1559 | 1818  | 1582 | 1910  | 1605 | 2002  | 1628 | 2095  | 1651 | 2186  |
| Air Volume<br>cfm | 0.8                                 |       | 0.9  |       | 1.0  |       | 1.1  |       | 1.2  |       | 1.3  |       |      |       |
|                   | RPM                                 | Watts | RPM  | Watts | RPM  | Watts | RPM  | Watts | RPM  | Watts | RPM  | Watts | RPM  | Watts |
|                   | 2000                                | 1040  | 602  | 660   | 1119 | 720   | 1156 | 782   | 1192 | 844   | 1227 | 904   | 1227 | 904   |
|                   | 2200                                | 1079  | 668  | 730   | 1155 | 794   | 1191 | 859   | 1226 | 924   | 1260 | 988   | 1260 | 988   |
|                   | 2400                                | 1120  | 741  | 807   | 1193 | 875   | 1228 | 943   | 1261 | 1010  | 1294 | 1077  | 1294 | 1077  |
|                   | 2600                                | 1163  | 820  | 889   | 1233 | 959   | 1267 | 1030  | 1299 | 1101  | 1330 | 1171  | 1330 | 1171  |
|                   | 2800                                | 1207  | 905  | 976   | 1275 | 1050  | 1307 | 1123  | 1338 | 1198  | 1369 | 1272  | 1369 | 1272  |
|                   | 3000                                | 1253  | 998  | 1072  | 1318 | 1148  | 1348 | 1225  | 1379 | 1303  | 1408 | 1381  | 1408 | 1381  |
|                   | 3200                                | 1300  | 1102 | 1179  | 1362 | 1258  | 1391 | 1338  | 1421 | 1419  | 1449 | 1501  | 1449 | 1501  |
|                   | 3400                                | 1347  | 1217 | 1298  | 1407 | 1380  | 1435 | 1463  | 1464 | 1548  | 1491 | 1634  | 1491 | 1634  |
|                   | 3600                                | 1395  | 1343 | 1424  | 1427 | 1513  | 1480 | 1599  | 1507 | 1688  | 1533 | 1778  | 1533 | 1778  |
|                   | 3800                                | 1443  | 1480 | 1470  | 1567 | 1656  | 1524 | 1746  | 1550 | 1838  | 1575 | 1930  | 1575 | 1930  |
| 4000              | 1490                                | 1628  | 1516 | 1718  | 1809 | 1567  | 1902 | 1592  | 1995 | 1617  | 2088 | 1617  | 2088 |       |
| 4200              | 1537                                | 1784  | 1562 | 1876  | 1969 | 1611  | 2062 | 1636  | 2155 | 1660  | 2248 | 1660  | 2248 |       |
| 4400              | 1583                                | 1947  | 1607 | 2040  | 2132 | 1655  | 2225 | 1679  | 2316 | 1703  | 2407 | 1703  | 2407 |       |
| 4600              | 1629                                | 2112  | 1652 | 2204  | 2296 | 1699  | 2386 | 1723  | 2475 | 1747  | 2564 | 1747  | 2564 |       |
| 4800              | 1674                                | 2277  | 1698 | 2367  | 2457 | 1745  | 2545 | 1768  | 2632 | 1791  | 2719 | 1791  | 2719 |       |

**BLOWER DATA**

**SDH180U5E / SDH240U5E BLOWER PERFORMANCE**

NOTE - Blower Table Includes Resistance For Base Unit With Wet Indoor Coil And Air Filters In Place.

See page 26 for Factory Installed Options/Accessory Air Resistance Data.

See page 27 for Minimum Air Volume Required For Use With Gas Heat.

**EXTERNAL STATIC PRESSURE - In. w.g.**

| Air Volume<br>cfm | 0.1  |       | 0.2  |       | 0.3  |       | 0.4  |       | 0.5  |       | 0.6  |       | 0.7  |       | 0.8  |       | 0.9  |       | 1.0  |       | 1.1  |       | 1.2  |       | 1.3  |       |      |       |
|-------------------|------|-------|------|-------|------|-------|------|-------|------|-------|------|-------|------|-------|------|-------|------|-------|------|-------|------|-------|------|-------|------|-------|------|-------|
|                   | RPM  | Watts | RPM  | Watts | RPM  | Watts | RPM  | Watts | RPM  | Watts | RPM  | Watts | RPM  | Watts | RPM  | Watts | RPM  | Watts | RPM  | Watts | RPM  | Watts | RPM  | Watts | RPM  | Watts | RPM  | Watts |
| 2000              | 475  | 38    | 524  | 144   | 574  | 249   | 626  | 352   | 676  | 451   | 723  | 536   | 608  | 768   | 813  | 667   | 858  | 720   | 917  | 808   | 962  | 873   | 1004 | 952   | 1018 | 994   | 1059 | 1082  |
| 2200              | 486  | 64    | 535  | 170   | 586  | 275   | 637  | 379   | 688  | 479   | 735  | 565   | 637  | 781   | 637  | 697   | 872  | 752   | 931  | 843   | 976  | 912   | 1048 | 994   | 1073 | 1032  | 1073 | 1132  |
| 2400              | 499  | 91    | 548  | 197   | 598  | 303   | 650  | 408   | 700  | 508   | 748  | 595   | 668  | 795   | 668  | 840   | 729  | 886   | 784  | 931   | 843  | 976   | 912  | 1048  | 994  | 1073  | 1032 | 1073  |
| 2600              | 512  | 118   | 561  | 225   | 612  | 332   | 663  | 437   | 713  | 538   | 762  | 626   | 699  | 809   | 699  | 855   | 761  | 901   | 819  | 946   | 880  | 990   | 952  | 1032  | 1038 | 1073  | 1132 | 1184  |
| 2800              | 525  | 147   | 575  | 255   | 626  | 362   | 677  | 468   | 727  | 570   | 776  | 658   | 732  | 824   | 732  | 870   | 794  | 916   | 854  | 961   | 919  | 1005  | 995  | 1046  | 1085 | 1086  | 1184 | 1184  |
| 3000              | 540  | 178   | 590  | 286   | 641  | 394   | 692  | 500   | 742  | 602   | 791  | 691   | 765  | 839   | 765  | 885   | 829  | 931   | 891  | 976   | 959  | 1019  | 1039 | 1060  | 1135 | 1100  | 1238 | 1238  |
| 3200              | 556  | 209   | 606  | 318   | 657  | 427   | 708  | 534   | 758  | 637   | 807  | 726   | 800  | 865   | 800  | 902   | 866  | 947   | 930  | 992   | 1001 | 1035  | 1087 | 1075  | 1186 | 1113  | 1295 | 1295  |
| 3400              | 572  | 242   | 622  | 352   | 673  | 462   | 724  | 569   | 774  | 672   | 824  | 762   | 837  | 872   | 837  | 918   | 904  | 964   | 970  | 1008  | 1046 | 1050  | 1136 | 1090  | 1241 | 1128  | 1354 | 1354  |
| 3600              | 589  | 276   | 640  | 388   | 691  | 498   | 742  | 606   | 792  | 709   | 841  | 799   | 875  | 889   | 875  | 936   | 943  | 981   | 1013 | 1024  | 1093 | 1066  | 1188 | 1105  | 1298 | 1142  | 1416 | 1416  |
| 3800              | 608  | 313   | 659  | 425   | 710  | 536   | 760  | 644   | 810  | 747   | 859  | 837   | 914  | 907   | 914  | 953   | 984  | 998   | 1057 | 1041  | 1142 | 1082  | 1243 | 1121  | 1358 | 1157  | 1481 | 1481  |
| 4000              | 627  | 352   | 678  | 464   | 729  | 575   | 779  | 683   | 829  | 787   | 878  | 877   | 925  | 925   | 955  | 972   | 1027 | 1016  | 1104 | 1058  | 1194 | 1099  | 1301 | 1136  | 1422 | 1172  | 1549 | 1549  |
| 4200              | 648  | 393   | 699  | 505   | 749  | 616   | 799  | 724   | 848  | 828   | 897  | 918   | 945  | 945   | 997  | 990   | 1071 | 1034  | 1152 | 1076  | 1248 | 1115  | 1362 | 1152  | 1489 | 1187  | 1620 | 1620  |
| 4400              | 670  | 436   | 720  | 548   | 770  | 659   | 820  | 767   | 868  | 870   | 917  | 961   | 1040 | 1040  | 1081 | 1118  | 1163 | 1053  | 1203 | 1094  | 1305 | 1132  | 1426 | 1168  | 1559 | 1203  | 1694 | 1694  |
| 4600              | 695  | 469   | 744  | 581   | 794  | 693   | 843  | 802   | 890  | 906   | 938  | 998   | 1081 | 985   | 1081 | 1029  | 1163 | 1072  | 1256 | 1112  | 1365 | 1149  | 1494 | 1185  | 1632 | 1218  | 1770 | 1770  |
| 4800              | 725  | 476   | 773  | 592   | 821  | 707   | 868  | 819   | 915  | 928   | 961  | 1026  | 1007 | 1116  | 1050 | 1208  | 1091 | 1130  | 1310 | 1130  | 1430 | 1166  | 1566 | 1201  | 1709 | 1234  | 1850 | 1850  |
| 5000              | 758  | 470   | 804  | 591   | 850  | 711   | 896  | 830   | 940  | 945   | 985  | 1052  | 1029 | 1153  | 1071 | 1256  | 1110 | 1130  | 1370 | 1148  | 1499 | 1183  | 1642 | 1217  | 1788 | 1250  | 1930 | 1930  |
| 5200              | 792  | 459   | 836  | 587   | 880  | 715   | 923  | 841   | 966  | 964   | 1009 | 1082  | 1051 | 1195  | 1091 | 1311  | 1129 | 1129  | 1436 | 1165  | 1572 | 1200  | 1720 | 1233  | 1868 | 1266  | 2011 | 2011  |
| 5400              | 826  | 451   | 868  | 587   | 910  | 724   | 951  | 859   | 992  | 992   | 1033 | 1120  | 1072 | 1247  | 1111 | 1374  | 1148 | 1148  | 1508 | 1183  | 1650 | 1216  | 1799 | 1250  | 1947 | 1282  | 2090 | 2090  |
| 5600              | 859  | 453   | 899  | 598   | 938  | 743   | 978  | 887   | 1016 | 1030  | 1055 | 1170  | 1093 | 1308  | 1130 | 1446  | 1166 | 1166  | 1586 | 1200  | 1730 | 1233  | 1878 | 1266  | 2025 | 1298  | 2169 | 2169  |
| 5800              | 890  | 470   | 928  | 623   | 965  | 777   | 1003 | 930   | 1040 | 1082  | 1077 | 1233  | 1113 | 1380  | 1149 | 1525  | 1184 | 1184  | 1669 | 1217  | 1812 | 1251  | 1958 | 1283  | 2103 | 1315  | 2247 | 2247  |
| 6000              | 918  | 504   | 954  | 665   | 990  | 827   | 1026 | 987   | 1062 | 1148  | 1097 | 1307  | 1133 | 1462  | 1167 | 1611  | 1202 | 1202  | 1755 | 1235  | 1897 | 1268  | 2038 | 1301  | 2182 | 1333  | 2327 | 2327  |
| 6200              | 944  | 559   | 978  | 725   | 1013 | 892   | 1048 | 1060  | 1083 | 1226  | 1117 | 1392  | 1152 | 1551  | 1186 | 1701  | 1220 | 1220  | 1844 | 1253  | 1982 | 1286  | 2120 | 1319  | 2264 | 1351  | 2411 | 2411  |
| 6400              | 967  | 633   | 1000 | 803   | 1034 | 973   | 1068 | 1144  | 1103 | 1315  | 1137 | 1483  | 1171 | 1643  | 1205 | 1793  | 1239 | 1239  | 1933 | 1272  | 2069 | 1305  | 2205 | 1338  | 2350 | 1370  | 2500 | 2500  |
| 6600              | 987  | 723   | 1021 | 894   | 1055 | 1065  | 1089 | 1237  | 1123 | 1408  | 1157 | 1575  | 1191 | 1734  | 1225 | 1882  | 1259 | 1259  | 2021 | 1292  | 2156 | 1325  | 2294 | 1357  | 2442 | 1389  | 2596 | 2596  |
| 6800              | 1008 | 817   | 1041 | 988   | 1075 | 1159  | 1109 | 1331  | 1144 | 1502  | 1178 | 1668  | 1212 | 1825  | 1246 | 1971  | 1279 | 1279  | 2110 | 1312  | 2246 | 1345  | 2387 | 1377  | 2538 | 1408  | 2697 | 2697  |
| 7000              | 1028 | 912   | 1062 | 1083  | 1096 | 1255  | 1131 | 1427  | 1166 | 1597  | 1200 | 1762  | 1234 | 1917  | 1267 | 2062  | 1300 | 1220  | 2201 | 1333  | 2340 | 1366  | 2484 | 1397  | 2640 | 1428  | 2803 | 2803  |
| 7200              | 1049 | 1008  | 1083 | 1180  | 1118 | 1351  | 1153 | 1522  | 1188 | 1692  | 1222 | 1855  | 1256 | 2009  | 1289 | 2154  | 1322 | 2294  | 2294 | 2354  | 2436 | 1386  | 2586 | 1417  | 2746 | 1447  | 2915 | 2915  |
| 7400              | 1071 | 1106  | 1106 | 1277  | 1141 | 1448  | 1176 | 1617  | 1211 | 1785  | 1246 | 1947  | 1279 | 2100  | 1312 | 2247  | 1344 | 2390  | 2390 | 1376  | 2537 | 1407  | 2692 | 1438  | 2858 | 1467  | 3033 | 3033  |
| 7600              | 1093 | 1204  | 1129 | 1374  | 1164 | 1543  | 1200 | 1711  | 1235 | 1877  | 1269 | 2038  | 1302 | 2192  | 1335 | 2341  | 1366 | 2489  | 2489 | 1398  | 2641 | 1428  | 2803 | 1458  | 2975 | 1487  | 3158 | 3158  |
| 7800              | 1117 | 1302  | 1152 | 1470  | 1188 | 1637  | 1224 | 1803  | 1259 | 1968  | 1293 | 2128  | 1326 | 2284  | 1358 | 2436  | 1389 | 2590  | 2590 | 1419  | 2750 | 1449  | 2918 | 1478  | 3098 | 1506  | 3288 | 3288  |
| 8000              | 1141 | 1399  | 1177 | 1565  | 1213 | 1730  | 1248 | 1895  | 1283 | 2058  | 1317 | 2219  | 1349 | 2378  | 1381 | 2535  | 1411 | 2696  | 2696 | 1441  | 2863 | 1470  | 3039 | 1498  | 3226 | 1526  | 3423 | 3423  |
| 8200              | 1166 | 1494  | 1202 | 1658  | 1238 | 1822  | 1273 | 1986  | 1308 | 2150  | 1341 | 2313  | 1373 | 2475  | 1403 | 2638  | 1433 | 2806  | 2806 | 1463  | 2982 | 1491  | 3166 | 1519  | 3361 | 1545  | 3564 | 3564  |
| 8400              | 1192 | 1589  | 1228 | 1752  | 1264 | 1915  | 1298 | 2079  | 1332 | 2244  | 1365 | 2410  | 1396 | 2577  | 1426 | 2748  | 1455 | 2923  | 2923 | 1484  | 3107 | 1512  | 3300 | 1539  | 3501 | 1565  | 3710 | 3710  |
| 8600              | 1218 | 1684  | 1254 | 1847  | 1289 | 2011  | 1324 | 2176  | 1357 | 2344  | 1389 | 2514  | 1419 | 2687  | 1448 | 2864  | 1477 | 3048  | 3048 | 1505  | 3240 | 1533  | 3440 | 1559  | 3646 | 1585  | 3860 | 3860  |
| 8800              | 1245 | 1781  | 1280 | 1945  | 1315 | 2111  | 1349 | 2280  | 1381 | 2451  | 1412 | 2626  | 1442 | 2805  | 1471 | 2990  | 1499 | 3182  | 3182 | 1527  | 3381 | 1553  | 3586 | 1580  | 3797 | 1591  | 3997 | 3997  |
| 9000              | 1272 | 1881  | 1307 | 2048  | 1341 | 2218  | 1373 | 2390  | 1405 | 2565  | 1436 | 2745  | 1465 | 2931  | 1493 | 3123  | 1521 | 3322  | 3322 | 1548  | 3528 | 1574  | 3738 | 1600  | 3953 | 1600  | 4166 | 4166  |
| 9200              | 1299 | 1985  | 1333 | 2155  | 1366 | 2329  | 1398 | 2505  | 1429 | 2686  | 1459 | 2872  | 1488 | 3065  | 1515 | 3264  | 1543 | 3470  | 3470 | 1569  | 3680 | 1595  | 3895 | 1595  | 4095 | 1595  | 4300 | 4300  |
| 9400              | 1326 | 2093  | 1360 | 2267  | 1392 | 2445  | 1423 | 2627  | 1454 | 2814  | 1482 | 3007  | 1510 | 3206  | 1538 | 3412  | 1564 | 3623  | 3623 | 1591  | 3838 | 1591  | 3995 | 1591  | 4195 | 1591  | 4440 | 4440  |
| 9600              | 1354 | 2205  | 1386 | 2384  | 1418 | 2567  | 1448 | 2755  | 1478 | 2949  | 1506 | 3149  | 1533 | 3355  | 1560 | 3567  | 1586 | 3782  | 3782 | 1586  | 3960 | 1586  | 4095 | 1586  | 4295 | 1586  | 4580 | 4580  |

## BLOWER DATA

### FACTORY INSTALLED OPTIONS/FIELD INSTALLED ACCESSORY AIR RESISTANCE - in. w.g.

| Air Volume<br>cfm    | Gas Heating      |                |              | Economizer | Filters<br>MERV 13 |
|----------------------|------------------|----------------|--------------|------------|--------------------|
|                      | Standard<br>Heat | Medium<br>Heat | High<br>Heat |            |                    |
| <b>036, 060 Size</b> |                  |                |              |            |                    |
| 800                  | 0.02             | 0.02           | 0.02         | 0.04       | 0.05               |
| 1000                 | 0.02             | 0.02           | 0.02         | 0.04       | 0.07               |
| 1200                 | 0.02             | 0.02           | 0.02         | 0.04       | 0.07               |
| 1400                 | 0.02             | 0.02           | 0.03         | 0.04       | 0.07               |
| 1600                 | 0.02             | 0.03           | 0.04         | 0.04       | 0.07               |
| 1800                 | 0.03             | 0.04           | 0.05         | 0.05       | 0.07               |
| 2000                 | 0.03             | 0.04           | 0.06         | 0.05       | 0.08               |
| <b>092, 120 Size</b> |                  |                |              |            |                    |
| 2000                 | 0.07             | 0.05           | 0.06         | 0.06       | 0.03               |
| 2500                 | 0.09             | 0.10           | 0.11         | 0.11       | 0.05               |
| 3000                 | 0.11             | 0.12           | 0.13         | 0.13       | 0.06               |
| 3500                 | 0.12             | 0.16           | 0.17         | 0.15       | 0.07               |
| 4000                 | 0.14             | 0.21           | 0.22         | 0.19       | 0.08               |
| 4500                 | 0.15             | 0.26           | 0.32         | 0.22       | 0.09               |
| 5000                 | 0.16             | 0.34           | 0.43         | 0.29       | 0.10               |
| 5500                 | 0.18             | 0.44           | 0.54         | 0.34       | 0.12               |
| 6000                 | 0.2              | 0.54           | - - -        | 0.52       | 0.13               |
| <b>180, 240 Size</b> |                  |                |              |            |                    |
| 3000                 | 0.03             | 0.04           | 0.05         | 0.00       | 0.00               |
| 3500                 | 0.03             | 0.05           | 0.06         | 0.00       | 0.00               |
| 4000                 | 0.04             | 0.06           | 0.07         | 0.00       | 0.00               |
| 4500                 | 0.05             | 0.07           | 0.09         | 0.00       | 0.00               |
| 5000                 | 0.05             | 0.09           | 0.11         | 0.00       | 0.00               |
| 5500                 | 0.06             | 0.10           | 0.13         | 0.01       | 0.01               |
| 6000                 | 0.07             | 0.12           | 0.15         | 0.01       | 0.02               |
| 6500                 | 0.08             | 0.13           | 0.17         | 0.01       | 0.02               |
| 7000                 | 0.09             | 0.15           | 0.19         | 0.02       | 0.03               |
| 7500                 | 0.10             | 0.17           | 0.21         | 0.02       | 0.04               |
| 8000                 | 0.11             | 0.19           | 0.24         | 0.02       | 0.04               |
| 8500                 | 0.12             | 0.20           | 0.26         | 0.03       | 0.04               |
| 9000                 | 0.13             | 0.23           | 0.29         | 0.04       | 0.04               |
| 9500                 | 0.14             | 0.25           | 0.32         | 0.04       | 0.06               |

## BLOWER DATA

### POWER EXHAUST FANS STANDARD STATIC PERFORMANCE

| 092, 120 Size                     |                      | 180, 240 Size                     |                      |
|-----------------------------------|----------------------|-----------------------------------|----------------------|
| Return Air System Static Pressure | Air Volume Exhausted | Return Air System Static Pressure | Air Volume Exhausted |
| in. w.g.                          | cfm                  | in. w.g.                          | cfm                  |
| 0.05                              | 4085                 | 0                                 | 10,200               |
| 0.10                              | 3685                 | 0.05                              | 9700                 |
| 0.15                              | 3280                 | 0.10                              | 9200                 |
| 0.20                              | 2880                 | 0.15                              | 8600                 |
| 0.25                              | 2475                 | 0.20                              | 8100                 |
| ---                               | ---                  | 0.25                              | 7600                 |
| ---                               | ---                  | 0.30                              | 6900                 |
| ---                               | ---                  | 0.35                              | 6000                 |
| ---                               | ---                  | 0.40                              | 5000                 |
| ---                               | ---                  | 0.45                              | 4150                 |

### MINIMUM AIR VOLUME REQUIRED FOR USE WITH GAS HEAT

| Size     | Gas Heat | Minimum cfm |
|----------|----------|-------------|
| 036      | Standard | 1175        |
|          | Medium   | 1475        |
| 060      | Standard | 1175        |
|          | Medium   | 1475        |
|          | High     | 1625        |
| 092, 120 | Standard | 2175        |
|          | Medium   | 2250        |
|          | High     | 2575        |
| 180, 240 | Standard | 4350        |
|          | Medium   | 4500        |
|          | High     | 5150        |

**ELECTRICAL DATA**
**3 TON | 5 TON**

| Model                                              |                        | SDH036U5E    |              | SDH060U5E    |              |
|----------------------------------------------------|------------------------|--------------|--------------|--------------|--------------|
|                                                    |                        | 460V-3ph     | 575V-3ph     | 460V-3ph     | 575V-3ph     |
| <sup>1</sup> Voltage - 60Hz                        |                        |              |              |              |              |
| Compressor (Inverter)                              | Rated Load Amps        | 6.5          | 5.2          | 7.8          | 6.2          |
|                                                    | Locked Rotor Amps      | 23           | 18           | 23           | 18           |
| Outdoor Fan Motor                                  | Full Load Amps (2 ECM) | 1.2          | 1.2          | 1.2          | 1.2          |
|                                                    | Total                  | 2.4          | 2.4          | 2.4          | 2.4          |
| Service Outlet 115V GFI (Amps)                     |                        | 20           | 20           | 20           | 20           |
| Indoor Blower Motor                                | HP                     | 1.5          | 1.5          | 1.5          | 1.5          |
|                                                    | Type                   | Direct (ECM) | Direct (ECM) | Direct (ECM) | Direct (ECM) |
|                                                    | Full Load Amps         | 2.3          | 2.3          | 2.3          | 2.3          |
| <sup>2</sup> Maximum Overcurrent Protection (MOCP) |                        | Unit Only    | 15           | 15           | 15           |
| <sup>3</sup> Minimum Circuit Ampacity (MCA)        |                        | Unit Only    | 13           | 12           | 15           |

NOTE - All units have a minimum Short Circuit Current Rating (SCCR) of 35kA.

<sup>1</sup> NOTE - Extremes of operating range are plus and minus 10% of line voltage.

<sup>2</sup> HACR type breaker or fuse.

<sup>3</sup> Refer to National or Canadian Electrical Code manual to determine wire, fuse and disconnect size requirements.

**ELECTRICAL DATA**
**7.5 TON | 10 TON**

| Model                                              |                        | SDH092U5E                      |              | SDH120U5E    |              |
|----------------------------------------------------|------------------------|--------------------------------|--------------|--------------|--------------|
|                                                    |                        | 460V-3ph                       | 575V-3ph     | 460V-3ph     | 575V-3ph     |
| <sup>1</sup> Voltage - 60Hz                        |                        |                                |              |              |              |
| Compressor 1 (Inverter)                            | Rated Load Amps        | 12.3                           | 9.8          | 14.9         | 11.9         |
|                                                    | Locked Rotor Amps      | 23                             | 18           | 31           | 27           |
| Outdoor Fan Motors                                 | Full Load Amps (2 ECM) | 1.36                           | 1.36         | 1.36         | 1.36         |
|                                                    | Total                  | 4.1                            | 4.1          | 4.1          | 4.1          |
| Power Exhaust (1) 0.50 HP                          |                        | Full Load Amps                 | 1.5          | 1.2          | 1.5          |
| Service Outlet 115V GFI (Amps)                     |                        | 20                             | 20           | 20           | 20           |
| Indoor Blower Motor                                | HP                     | 3.75                           | 3.75         | 3.75         | 3.75         |
|                                                    | Type                   | Direct (ECM)                   | Direct (ECM) | Direct (ECM) | Direct (ECM) |
|                                                    | Full Load Amps         | 4.2                            | 3.6          | 4.2          | 3.6          |
| <sup>2</sup> Maximum Overcurrent Protection (MOCP) |                        | Unit Only                      | 25           | 20           | 30           |
|                                                    |                        | With (1) 0.50 HP Power Exhaust | 30           | 25           | 35           |
| <sup>3</sup> Minimum Circuit Ampacity (MCA)        |                        | Unit Only                      | 24           | 20           | 27           |
|                                                    |                        | With (1) 0.50 HP Power Exhaust | 26           | 22           | 29           |

NOTE - All units have a minimum Short Circuit Current Rating (SCCR) of 35kA.

<sup>1</sup> NOTE - Extremes of operating range are plus and minus 10% of line voltage.

<sup>2</sup> HACR type breaker or fuse.

<sup>3</sup> Refer to National or Canadian Electrical Code manual to determine wire, fuse and disconnect size requirements.

**ELECTRICAL DATA****15 TON | 20 TON**

| Model                                                 |                                | SDH180U5E    |              | SDH240U5E    |              |
|-------------------------------------------------------|--------------------------------|--------------|--------------|--------------|--------------|
|                                                       |                                | 460V-3ph     | 575V-3ph     | 460V-3ph     | 575V-3ph     |
| <sup>1</sup> Voltage - 60Hz                           |                                |              |              |              |              |
| Compressor 1<br>(Inverter)                            | Rated Load Amps                | 11.0         | 8.8          | 16.0         | 11.9         |
|                                                       | Locked Rotor Amps              | 23           | 18           | 31           | 27           |
| Compressor 2<br>(Inverter)                            | Rated Load Amps                | 11.0         | 8.8          | 16.0         | 11.9         |
|                                                       | Locked Rotor Amps              | 23           | 18           | 31           | 27           |
| Outdoor Fan<br>Motors                                 | Full Load Amps (6 ECM)         | 1.36         | 1.36         | 1.36         | 1.36         |
|                                                       | Total                          | 8.2          | 8.2          | 8.2          | 8.2          |
| Power Exhaust<br>(3) 0.33 HP                          | Full Load Amps                 | 1.3          | 1            | 1.3          | 1            |
|                                                       | Total                          | 3.9          | 3            | 3.9          | 3            |
| Service Outlet 115V GFI (Amps)                        |                                | 20           | 20           | 20           | 20           |
| Indoor Blower<br>Motor                                | HP (Total)                     | 5            | 5            | 5            | 5            |
|                                                       | Type                           | Direct (ECM) | Direct (ECM) | Direct (ECM) | Direct (ECM) |
|                                                       | Full Load Amps (Total)         | 5            | 4            | 5            | 4            |
| <sup>2</sup> Maximum Overcurrent<br>Protection (MOCP) | Unit Only                      | 40           | 35           | 50           | 40           |
|                                                       | With (3) 0.33 HP Power Exhaust | 45           | 35           | 60           | 45           |
| <sup>3</sup> Minimum Circuit<br>Ampacity (MCA)        | Unit Only                      | 38           | 32           | 50           | 39           |
|                                                       | With (3) 0.33 HP Power Exhaust | 42           | 35           | 54           | 42           |

NOTE - All units have a minimum Short Circuit Current Rating (SCCR) of 35kA.

<sup>1</sup> NOTE - Extremes of operating range are plus and minus 10% of line voltage.

<sup>2</sup> HACR type breaker or fuse.

<sup>3</sup> Refer to National or Canadian Electrical Code manual to determine wire, fuse and disconnect size requirements.

**FIELD WIRING NOTES**

- For use with copper wiring only
- Field wiring not furnished
- All wiring must conform to NEC or CEC and local electrical codes
- For specific wiring information, please refer to the installation instructions

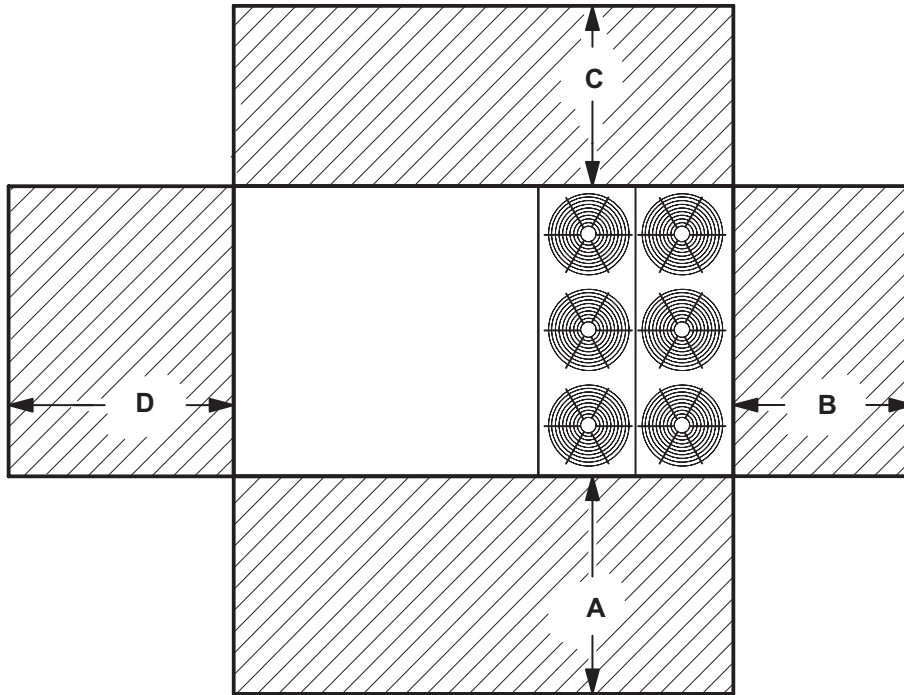
## OUTDOOR SOUND DATA

| Size | Octave Band Sound Power Levels dBA, re 10 <sup>-12</sup> Watts Center Frequency - HZ |     |     |      |      |      |      | <sup>1</sup> Sound Rating Number dBA |
|------|--------------------------------------------------------------------------------------|-----|-----|------|------|------|------|--------------------------------------|
|      | 125                                                                                  | 250 | 500 | 1000 | 2000 | 4000 | 8000 |                                      |
| 036  | 72                                                                                   | 75  | 76  | 69   | 65   | 60   | 65   | 80                                   |
| 060  | 61                                                                                   | 72  | 76  | 74   | 71   | 71   | 65   | 85                                   |
| 092  | 72                                                                                   | 80  | 85  | 84   | 79   | 74   | 67   | 89                                   |
| 120  | 72                                                                                   | 80  | 85  | 84   | 79   | 74   | 67   | 89                                   |
| 180  | 73                                                                                   | 81  | 86  | 84   | 78   | 73   | 67   | 90                                   |
| 240  | 73                                                                                   | 81  | 86  | 84   | 78   | 73   | 67   | 90                                   |

Note - The octave sound power data does not include tonal corrections.

<sup>1</sup> Sound Rating Number according to AHRI Standard 270-95 or AHRI Standard 370-2001 (includes pure tone penalty). Sound Rating Number is the overall A-Weighted Sound Power Level, (LWA), dB (100 Hz to 10,000 Hz).

## UNIT CLEARANCES



| <sup>1</sup> Unit Clearance        | A        |    | B    |    | C   |    | D    |    | Top Clearance |              |
|------------------------------------|----------|----|------|----|-----|----|------|----|---------------|--------------|
|                                    | in.      | mm | in.  | mm | in. | mm | in.  | mm |               |              |
| <b>Service Clearance</b>           | 036, 060 | 48 | 1219 | 36 | 914 | 60 | 1524 | 60 | 1524          | Unobstructed |
|                                    | 092, 120 | 60 | 1524 | 36 | 914 | 60 | 1524 | 60 | 1524          | Unobstructed |
|                                    | 180, 240 | 72 | 1829 | 36 | 914 | 60 | 1524 | 96 | 2438          | Unobstructed |
| <b>Clearance to Combustibles</b>   | All      | 36 | 914  | 1  | 25  | 1  | 25   | 1  | 25            | Unobstructed |
| <b>Minimum Operation Clearance</b> | All      | 36 | 914  | 36 | 914 | 36 | 914  | 36 | 914           | Unobstructed |

NOTE - Entire perimeter of unit base requires support when elevated above the mounting surface.

<sup>1</sup> Service Clearance - Required for removal of serviceable parts.

Clearance to Combustibles - Required clearance to combustible material.

Minimum Operation Clearance - Required clearance for proper unit operation.

## WEIGHT DATA

| Model            | Net  |      | Shipping |      |
|------------------|------|------|----------|------|
|                  | lbs. | kg   | lbs.     | kg   |
| SDH036 Base Unit | 1016 | 461  | 1063     | 482  |
| SDH036 Max Unit  | 1109 | 503  | 1156     | 524  |
| SDH060 Base Unit | 1014 | 460  | 1061     | 481  |
| SDH060 Max Unit  | 1123 | 510  | 1170     | 531  |
| SDH092 Base Unit | 1580 | 717  | 1627     | 738  |
| SDH092 Max Unit  | 1735 | 787  | 1782     | 808  |
| SDH120 Base Unit | 1578 | 716  | 1625     | 737  |
| SDH120 Max Unit  | 1733 | 786  | 1780     | 807  |
| SDH180 Base Unit | 2701 | 1225 | 2751     | 1248 |
| SDH180 Max Unit  | 3091 | 1402 | 3141     | 1425 |
| SDH240 Base Unit | 2699 | 1224 | 2749     | 1247 |
| SDH240 Max Unit  | 3087 | 1400 | 3137     | 1423 |

NOTE - Base Unit is with Standard Gas Heat, NO OPTIONS.

NOTE - Max. Unit is the unit with ALL INTERNAL OPTIONS installed. (High Gas Heat, Economizer, Standard Static Power Exhaust Fans, Controls, etc.). Does not include accessories EXTERNAL to unit.

## FACTORY/ FIELD INSTALLED OPTIONS AND ACCESSORIES - NET WEIGHTS

| Description                                  |                          | lbs. | kg |
|----------------------------------------------|--------------------------|------|----|
| <b>CABINET</b>                               |                          |      |    |
| Combination Coil/Hail Guards                 | 036 or 060               | 24   | 11 |
|                                              | 092, 120                 | 25   | 11 |
|                                              | 180, 240                 | 50   | 23 |
| <b>ECONOMIZER / OUTDOOR AIR / EXHAUST</b>    |                          |      |    |
| Economizer                                   | 036 or 060               | 50   | 23 |
|                                              | 092, 120                 | 70   | 32 |
|                                              | 180, 240                 | 138  | 63 |
| Outdoor Air Dampers                          | 180, 240                 | 68   | 31 |
| Power Exhaust                                | 092, 120                 | 28   | 13 |
|                                              | 180, 240                 | 99   | 45 |
| <b>HEAT EXCHANGER</b>                        |                          |      |    |
| 036-060 Medium Heat                          |                          | 8    | 4  |
|                                              | 060 High Heat            | 19   | 9  |
| 092-120 Medium Heat                          |                          | 9    | 4  |
|                                              | 092-120 High Heat        | 32   | 15 |
| 180-240 Medium Heat                          |                          | 18   | 8  |
|                                              | 180-240 High Heat        | 64   | 29 |
| <b>ROOF CURBS</b>                            |                          |      |    |
| Hybrid Roof Curbs, Downflow<br>14 in. height | 036-060                  | 70   | 32 |
|                                              | 092-120                  | 80   | 36 |
|                                              | 180-240 (full perimeter) | 115  | 52 |
| Hybrid Roof Curbs, Downflow<br>24 in. height | 036-060                  | 105  | 48 |
|                                              | 092-120                  | 120  | 54 |
|                                              | 180-240 (full perimeter) | 170  | 77 |

**DIMENSIONS - UNIT**

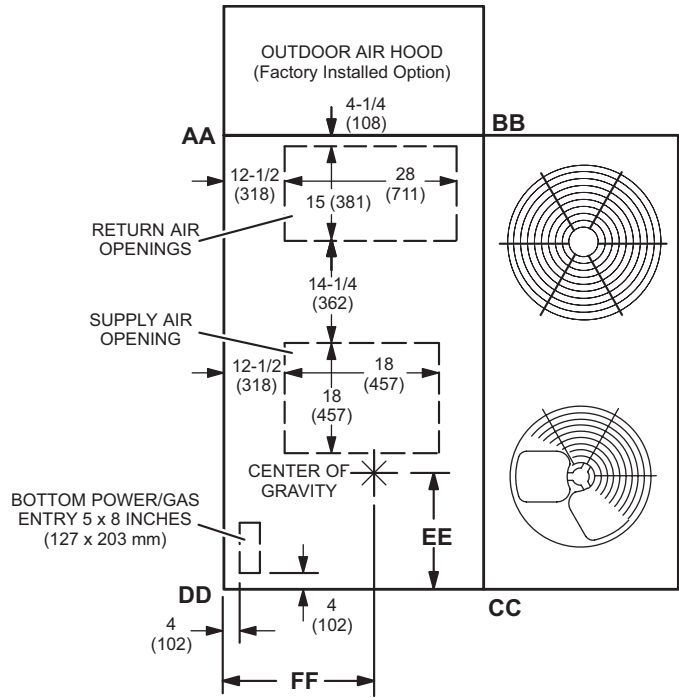
**SDH036U | SDH060U**

**CORNER WEIGHTS**

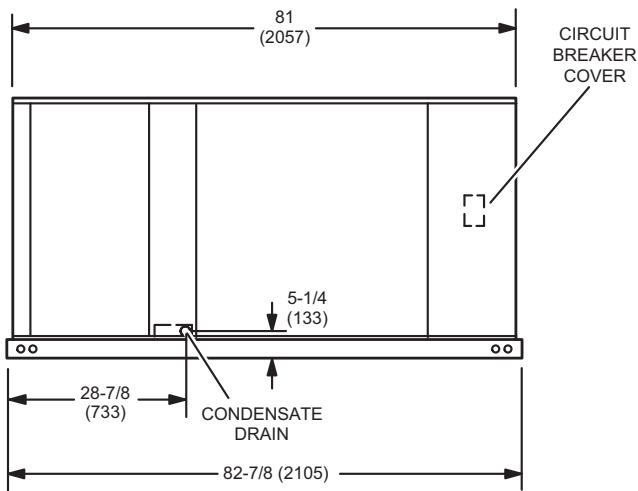
**CENTER OF GRAVITY**

| Model             | AA   |    | BB   |     | CC   |     | DD   |     | EE    |     | FF    |     |
|-------------------|------|----|------|-----|------|-----|------|-----|-------|-----|-------|-----|
|                   | lbs. | kg | lbs. | kg  | lbs. | kg  | lbs. | kg  | in.   | mm  | in.   | mm  |
| SDH036U Base Unit | 177  | 80 | 294  | 133 | 340  | 154 | 205  | 93  | 38.25 | 972 | 33.25 | 845 |
| SDH036U Max. Unit | 192  | 87 | 319  | 145 | 369  | 167 | 222  | 101 | 38.25 | 972 | 33.25 | 845 |
| SDH060U Base Unit | 177  | 80 | 293  | 133 | 339  | 154 | 204  | 93  | 38.25 | 972 | 33.25 | 845 |
| SDH060U Max. Unit | 194  | 88 | 323  | 147 | 374  | 170 | 225  | 102 | 38.25 | 972 | 33.25 | 845 |

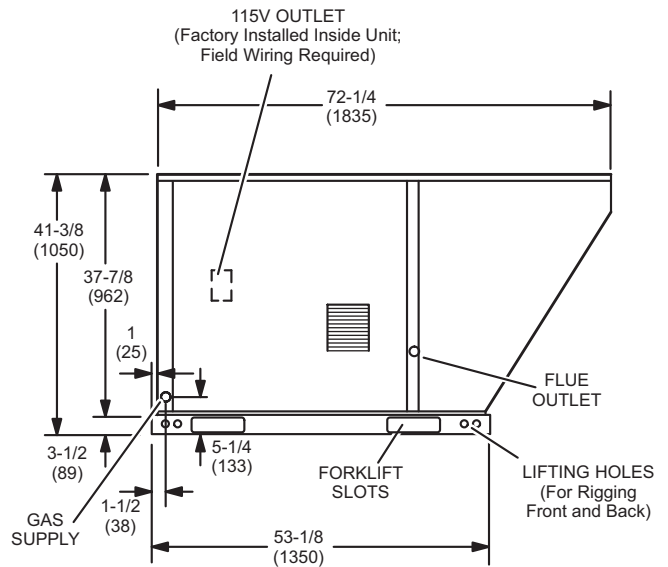
Max. Unit - The Base Unit with ALL OPTIONS Installed. (Economizer and controls)



**TOP VIEW**



**SIDE VIEW**



**FRONT VIEW**

**DIMENSIONS - UNIT**

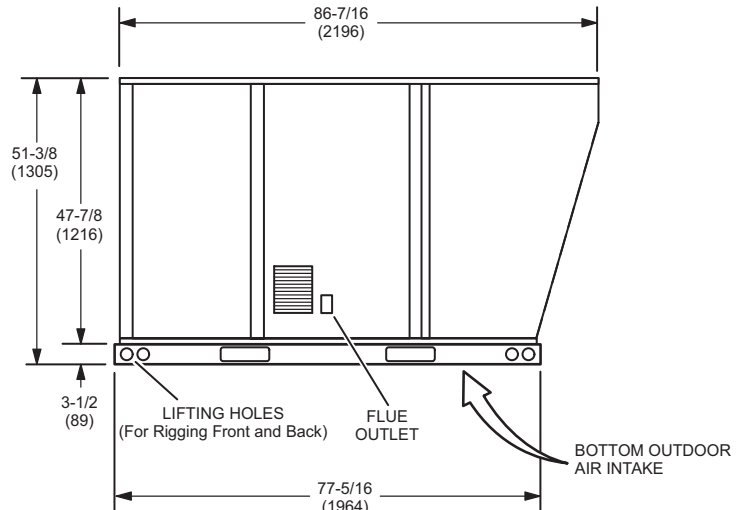
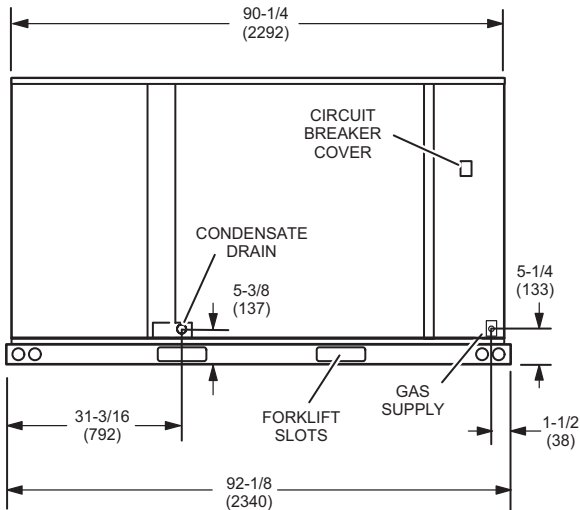
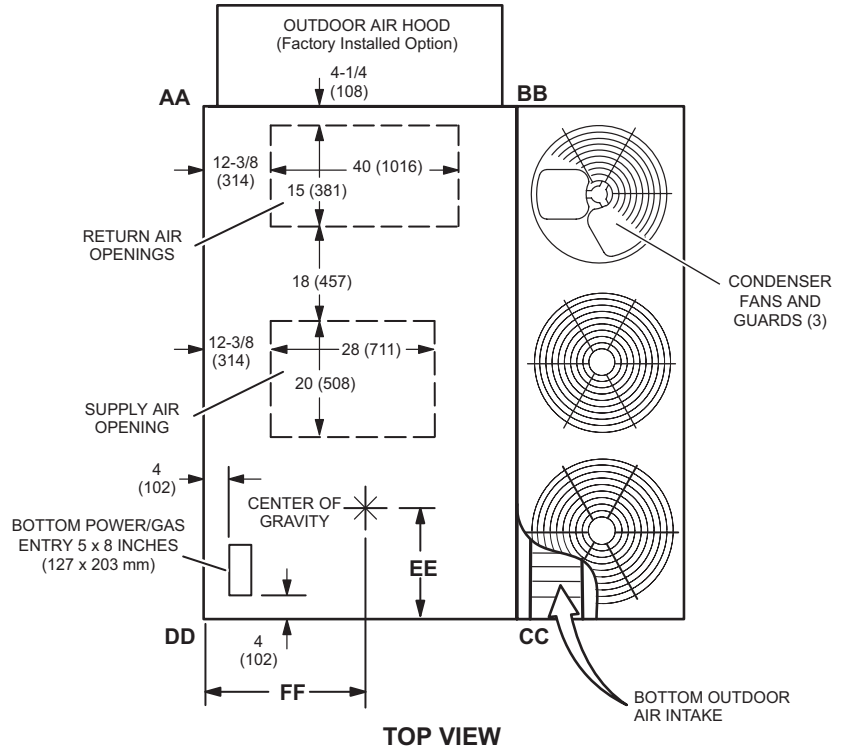
**SDH092U | SDH120U**

**CORNER WEIGHTS**

**CENTER OF GRAVITY**

| Model             | AA   |     | BB   |     | CC   |     | DD   |     | EE    |      | FF  |      |
|-------------------|------|-----|------|-----|------|-----|------|-----|-------|------|-----|------|
|                   | lbs. | kg  | lbs. | kg  | lbs. | kg  | lbs. | kg  | in.   | mm   | in. | mm   |
| SDH092U Base Unit | 350  | 159 | 374  | 170 | 442  | 200 | 414  | 188 | 42.25 | 1073 | 40  | 1016 |
| SDH092U Max. Unit | 385  | 175 | 410  | 186 | 485  | 220 | 455  | 206 | 42.25 | 1073 | 40  | 1016 |
| SDH120U Base Unit | 350  | 159 | 373  | 169 | 441  | 200 | 414  | 188 | 42.25 | 1073 | 40  | 1016 |
| SDH120U Max. Unit | 384  | 174 | 410  | 186 | 485  | 220 | 454  | 206 | 42.25 | 1073 | 40  | 1016 |

Max. Unit - The Base Unit with ALL OPTIONS Installed. (Economizer and controls)



**DIMENSIONS - UNIT**

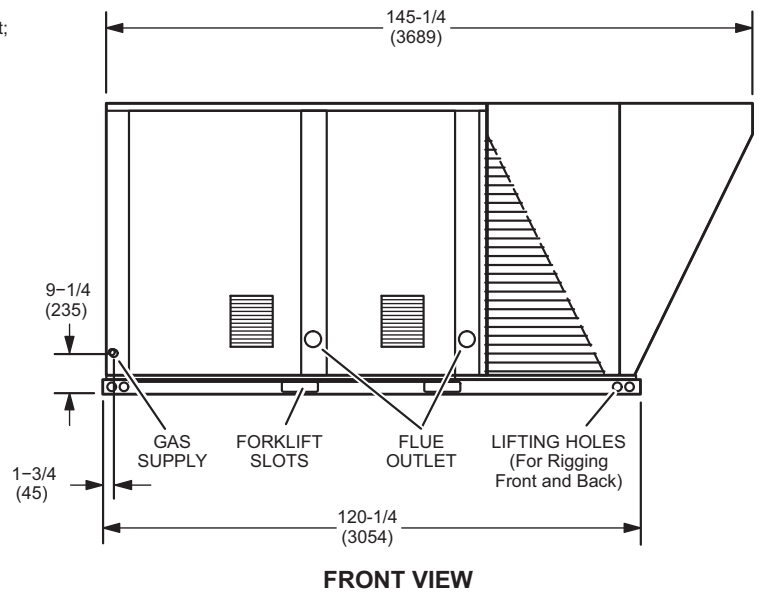
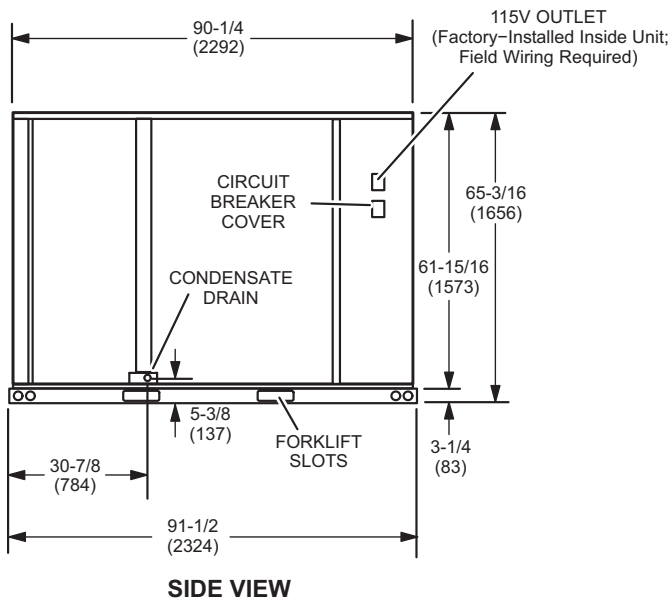
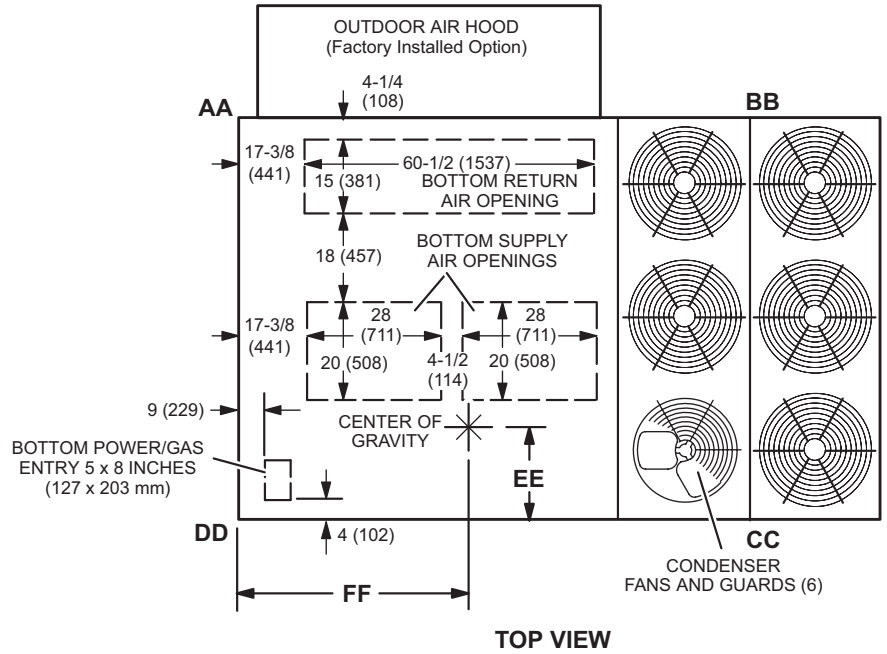
**SDH180U | SDH240U**

**CORNER WEIGHTS**

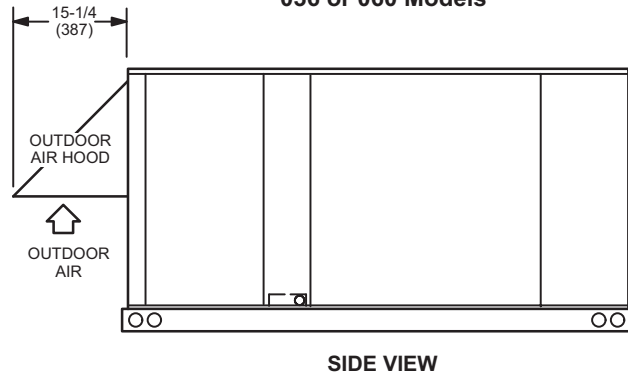
**CENTER OF GRAVITY**

| Model             | AA   |     | BB   |     | CC   |     | DD   |     | EE    |      | FF    |      |
|-------------------|------|-----|------|-----|------|-----|------|-----|-------|------|-------|------|
|                   | lbs. | kg  | lbs. | kg  | lbs. | kg  | lbs. | kg  | in.   | mm   | in.   | mm   |
| SDH180U Base Unit | 553  | 251 | 621  | 282 | 808  | 367 | 719  | 326 | 39.75 | 1010 | 63.75 | 1619 |
| SDH180U Max. Unit | 632  | 287 | 710  | 322 | 925  | 420 | 823  | 373 | 39.75 | 1010 | 63.75 | 1619 |
| SDH240U Base Unit | 552  | 250 | 620  | 281 | 808  | 366 | 719  | 326 | 39.75 | 1010 | 63.75 | 1619 |
| SDH240U Max. Unit | 632  | 286 | 710  | 322 | 924  | 419 | 822  | 373 | 39.75 | 1010 | 63.75 | 1619 |

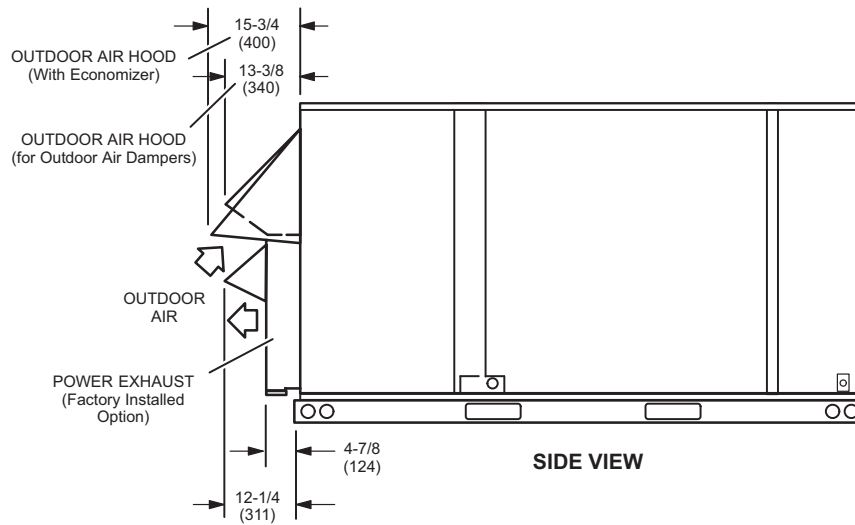
Max. Unit - The Base Unit with ALL OPTIONS Installed. (Economizer and controls)



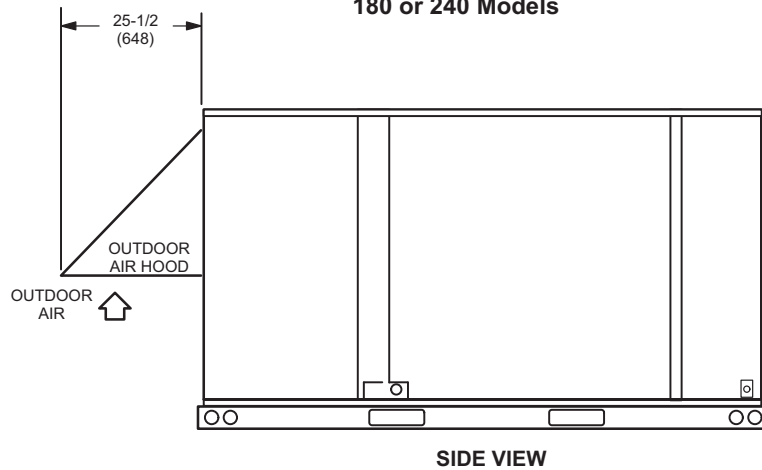
**OPTIONAL OUTDOOR AIR HOOD DETAIL  
036 or 060 Models**



**OPTIONAL OUTDOOR AIR HOOD DETAIL  
OPTIONAL POWER EXHAUST DETAIL  
092 or 120 Models**

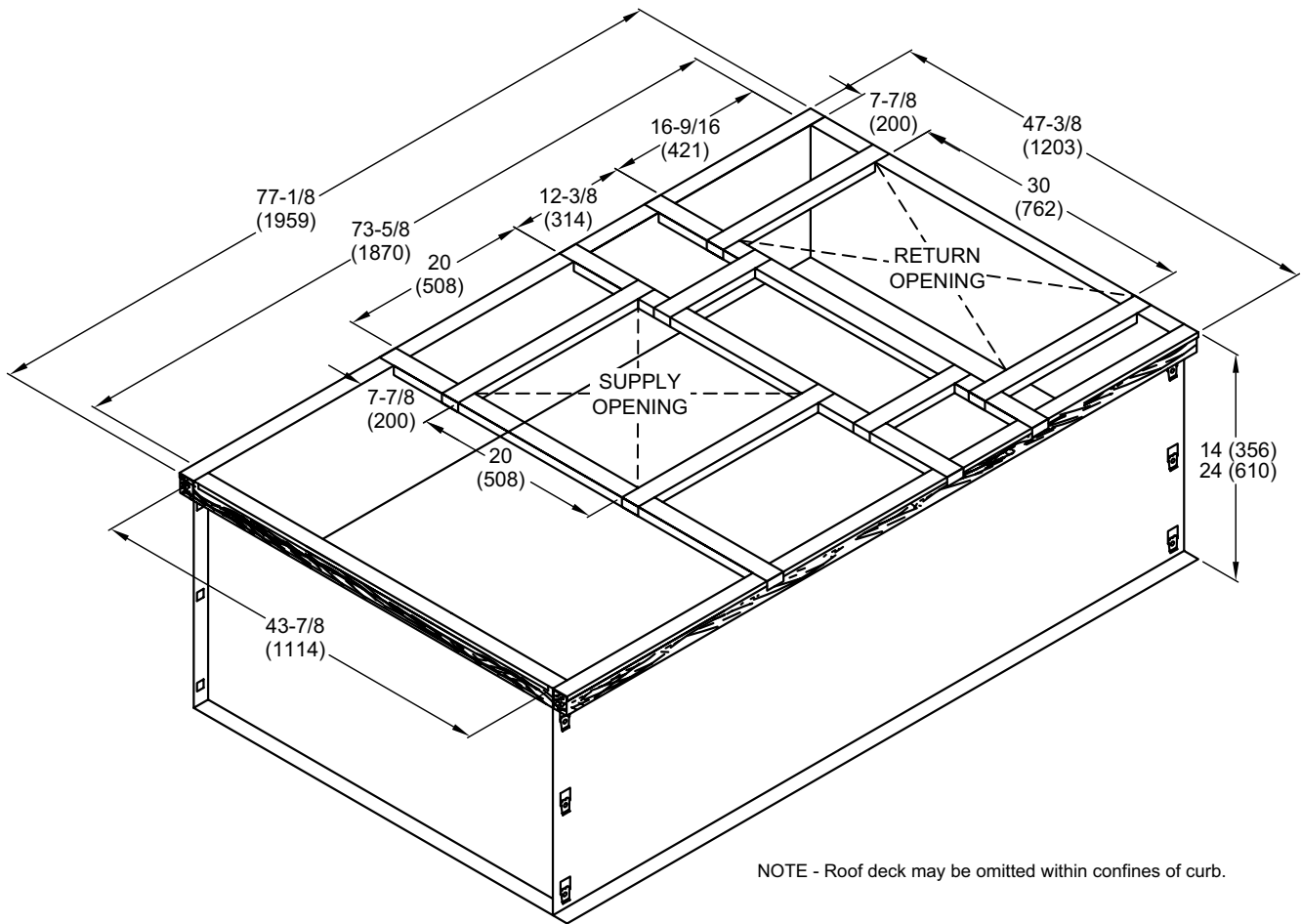


**OPTIONAL OUTDOOR AIR HOOD DETAIL  
180 or 240 Models**



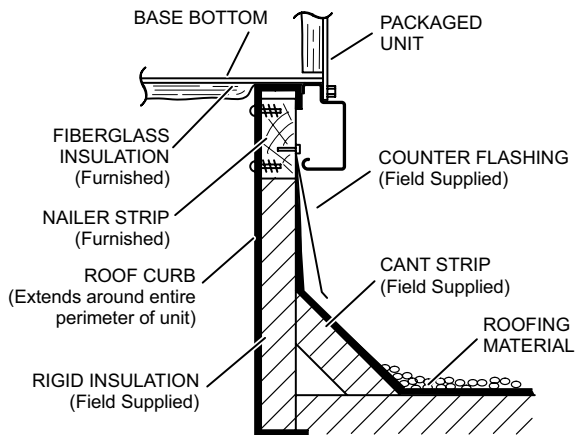
# DIMENSIONS - ACCESSORIES

## HYBRID ROOF CURBS - 036-060 MODELS - DOUBLE DUCT OPENING

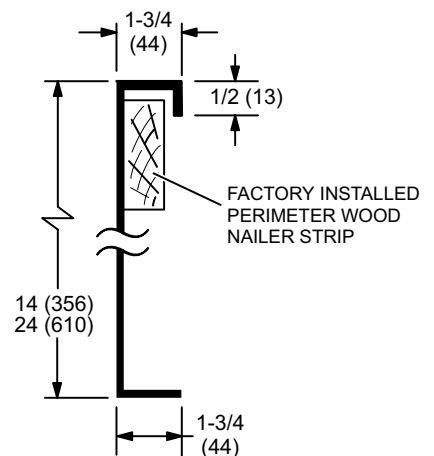


NOTE - Roof deck may be omitted within confines of curb.

**TYPICAL FLASHING DETAIL FOR ROOF CURB**

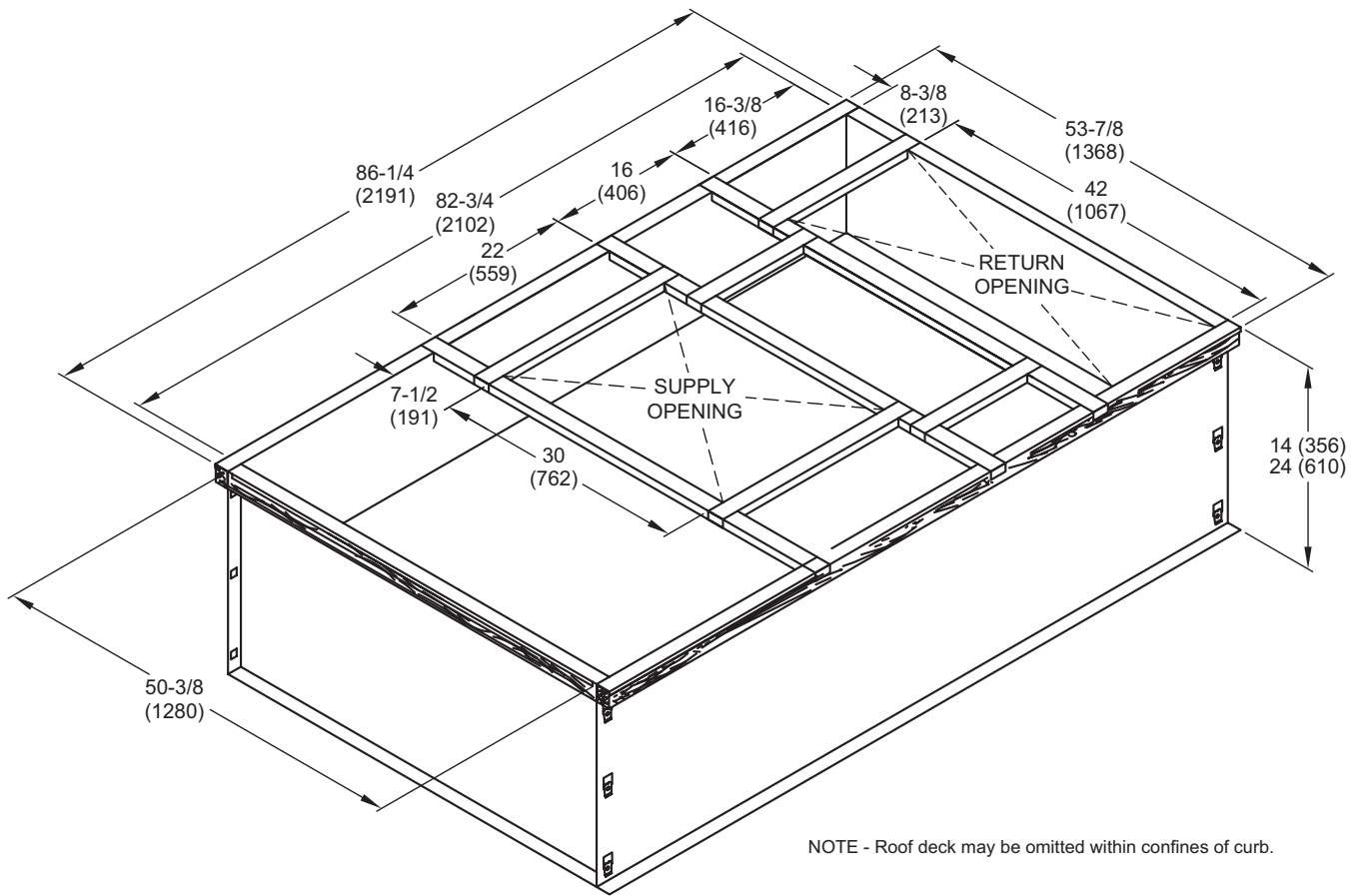


**DETAIL ROOF CURB**

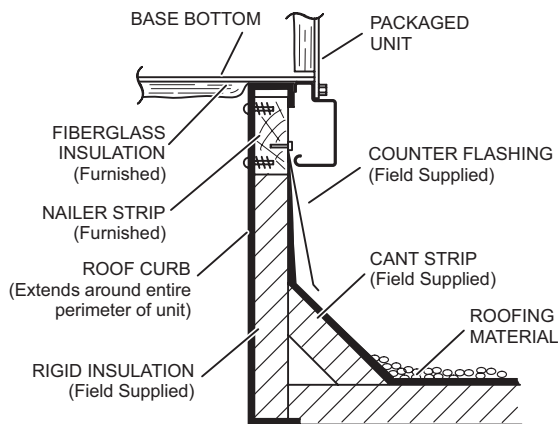


# DIMENSIONS - ACCESSORIES

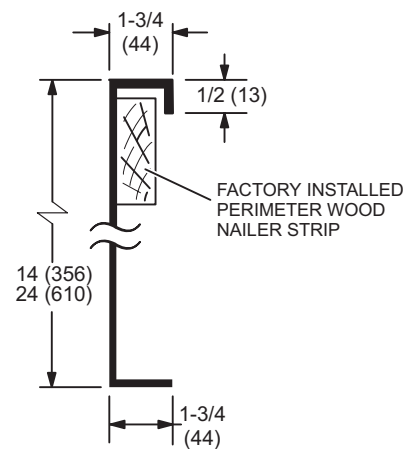
## HYBRID ROOF CURBS - 092 AND 120 MODELS - DOUBLE DUCT OPENING



**TYPICAL FLASHING DETAIL FOR ROOF CURB**

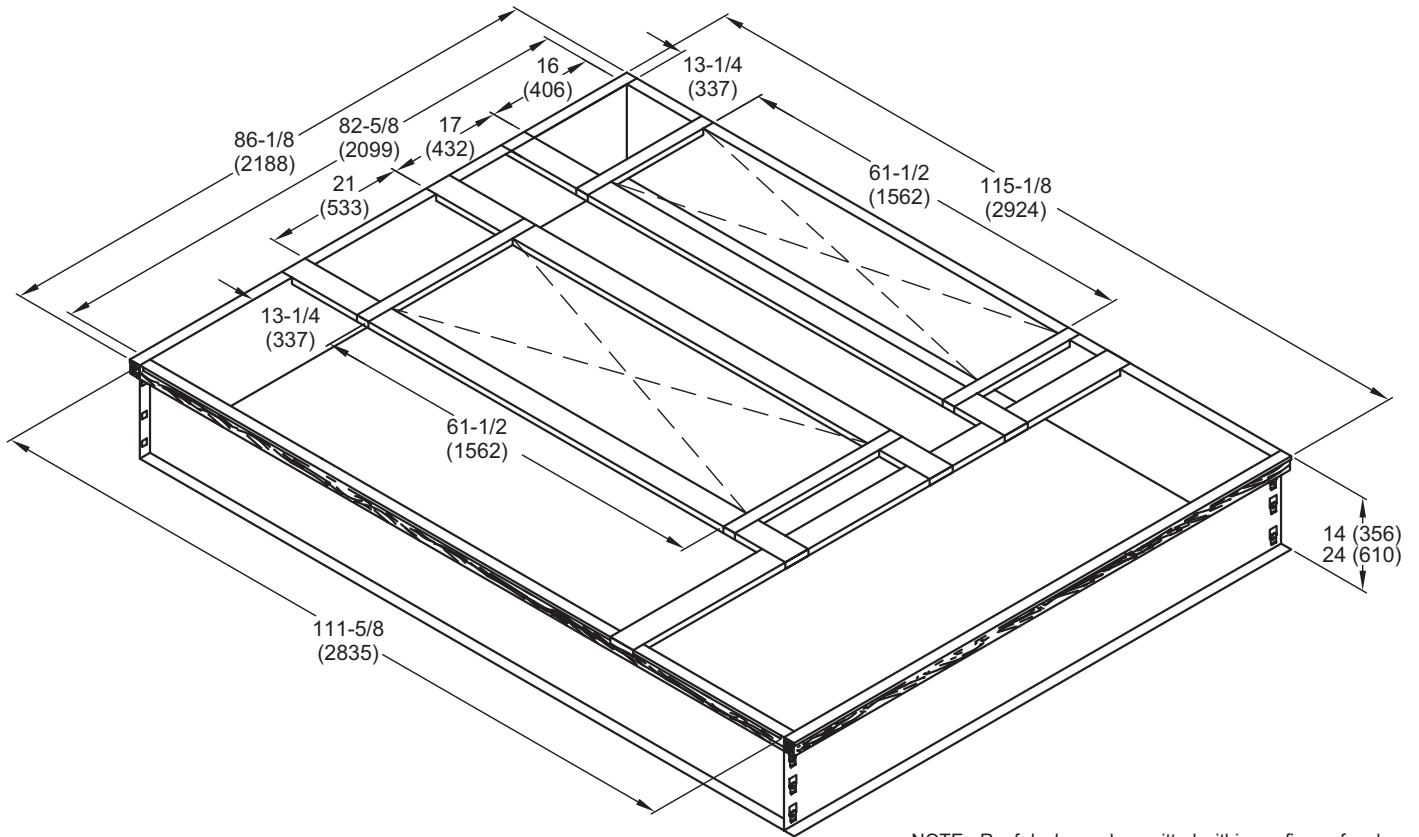


**DETAIL ROOF CURB**



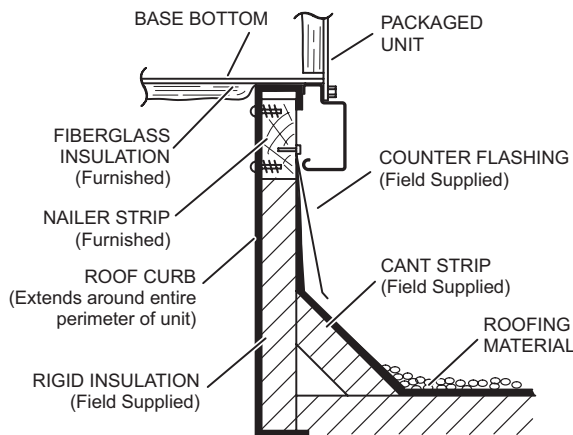
# DIMENSIONS - ACCESSORIES

## HYBRID ROOF CURBS - 180 AND 240 MODELS - FULL PERIMETER - DOUBLE DUCT OPENING

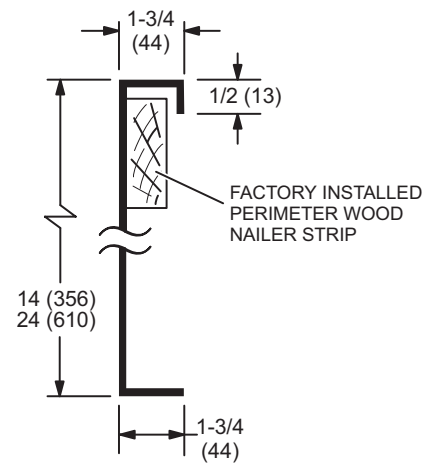


NOTE - Roof deck may be omitted within confines of curb.

**TYPICAL FLASHING DETAIL FOR ROOF CURB**



**DETAIL ROOF CURB**





## REVISIONS

| Sections              | Description of Change                           |
|-----------------------|-------------------------------------------------|
| Options / Accessories | Updated CO <sub>2</sub> Sensor Catalog Numbers. |



**Intertek**



Visit us at [www.Lennox.com](http://www.Lennox.com)

For the latest technical information, [www.LennoxCommercial.com](http://www.LennoxCommercial.com)

Contact us at 1-800-4-LENNOX

NOTE - Due to Lennox' ongoing commitment to quality, Specifications, Ratings and Dimensions subject to change without notice and without incurring liability. Improper installation, adjustment, alteration, service or maintenance can cause property damage or personal injury. Installation and service must be performed by a qualified installer and servicing agency.

©2026 Lennox Industries, Inc.