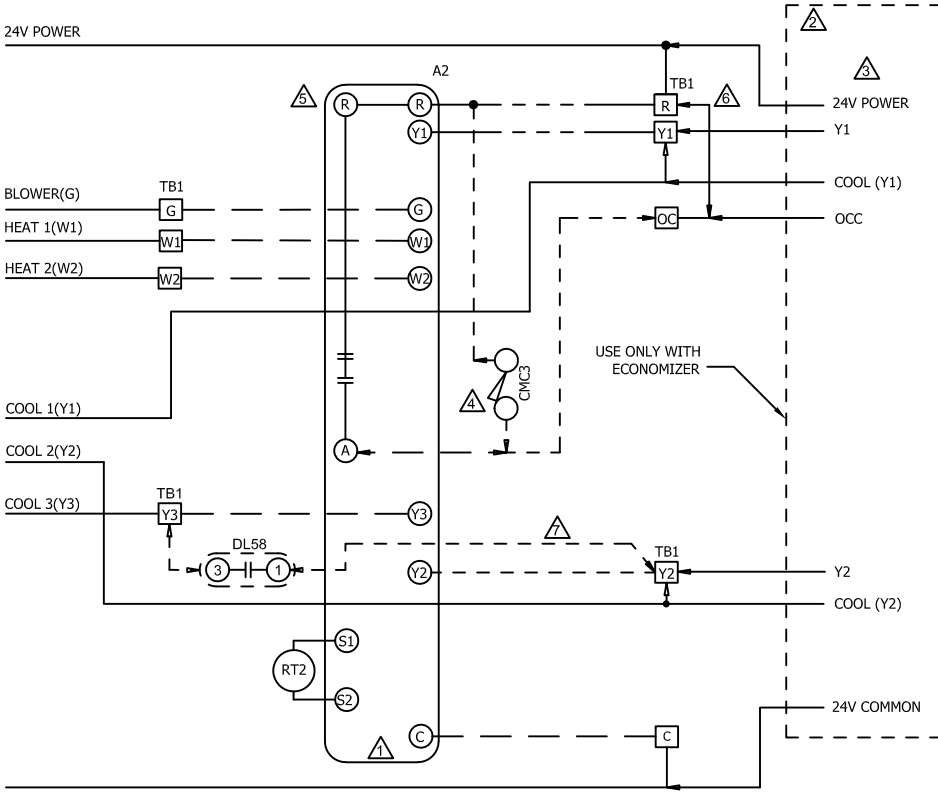
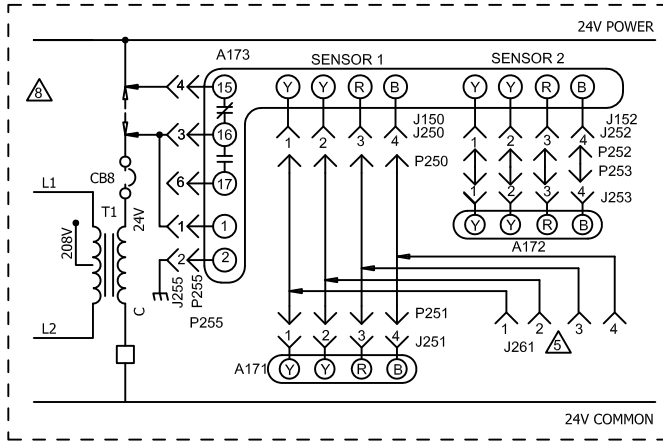


CONNECTION SCHEME FOR ZC, ZG, AND ZH 092-150 UNITS WITHOUT ECONOMIZER ONLY



- ⚠ THERMOSTAT SUPPLIED BY USER
- ⚠ OPTIONAL WIRING FOR UNITS WITH ECONOMIZER
- ⚠ J3 MAXIMUM LOAD 20VA 24VAC CLASS II
- ⚠ TIME CLOCK CONTACTS (OPT) CLOSED OCCUPIED
- ⚠ TOUCHSCREEN THERMOSTAT
- ⚠ REMOVE JUMPER BETWEEN TB1-R AND TB1-OC WHEN USING A NITE SETBACK THERMOSTAT
- ⚠ INSTALL DL58 ADJUSTABLE STAGE UP TIMER AS SHOWN BETWEEN Y2 AND Y3 IF THERMOSTAT DOES NOT HAVE A COOL 3. TYPICAL TIME DELAY IS 15-30 MINUTES
- ⚠ SMOKE DETECTOR (FIELD INSTALLED ONLY)

— DENOTES OPTIONAL COMPONENTS
 - - - CLASS II FIELD WIRING

KEY	COMPONENT
A171	SENSOR ONE, SMOKE, RETURN AIR
A172	SENSOR TWO, SMOKE, SUPPLY AIR
A173	MODULE, CONTROL SMOKE DETECTION
A2	SENSOR, ELECTRONIC THERMOSTAT
A63	SENSOR, CO2
CMC3	CLOCK, TIME
DL58	ADJUSTABLE TIMER, STAGE UP
K65	RELAY, EXHAUST FAN
R1	SENSOR, MIXED AIR OR SUPPLY AIR
RT2	SENSOR, REMOTE THERMOSTAT
T1	TRANSFORMER, CONTROL
TB1	TERMINAL STRIP, CLASS II VOLTAGE

2026/06	WIRING DIAGRAM	06/26
	538308-02	
CONTROL		
ELECTRONIC/ELECTROMECHANICAL THERMOSTAT (RAIDER B)		
SECTION C		REV 2
Supersedes	New Form No.	
537673-01	538308-02	