



01

02

03

04

05

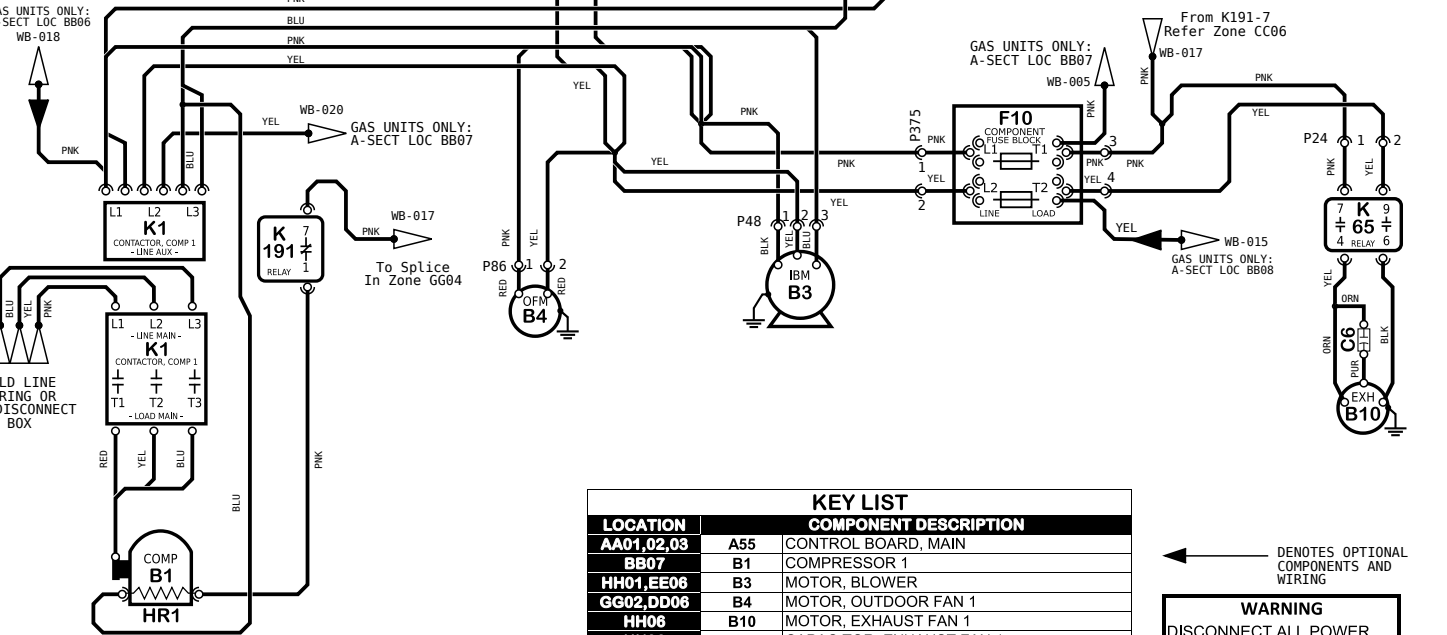
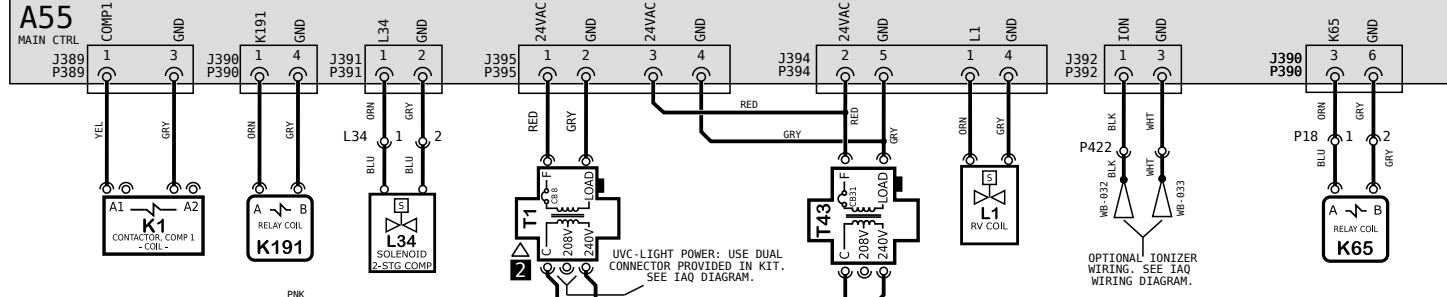
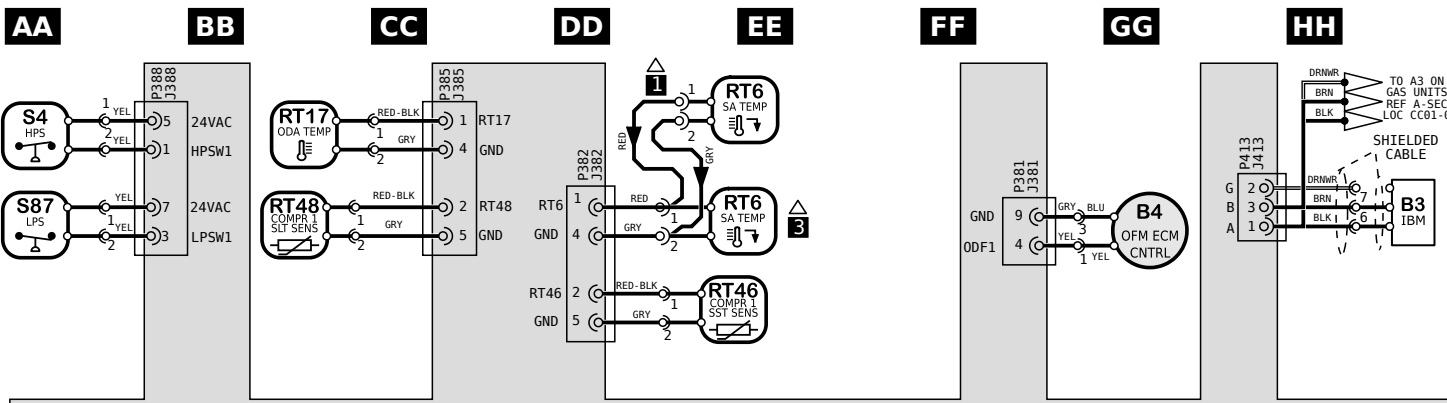
06

07

08

09

10



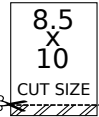
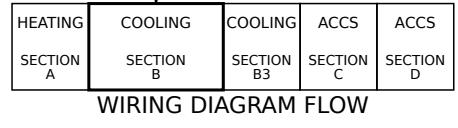
| KEY LIST | |
|------------|--|
| LOCATION | COMPONENT DESCRIPTION |
| AA01,02,03 | A55 CONTROL BOARD, MAIN |
| BB07 | B1 COMPRESSOR 1 |
| HH01,EE06 | B3 MOTOR, BLOWER |
| GG02,DD06 | B4 MOTOR, OUTDOOR FAN 1 |
| HH06 | B10 MOTOR, EXHAUST FAN 1 |
| HH06 | C6 CAPACITOR, EXHAUST FAN 1 |
| FF05 | F10 FUSE, COMPONENT |
| BB07 | HR1 HEATER, COMPRESSOR 1 |
| BB04,05,06 | K1 CONTACTOR, COMPRESSOR 1 |
| HH04,05 | K65 RELAY, EXHAUST FAN 1 |
| BB04,06 | K191 RELAY, CRANKCASE HEATER 1 |
| FF04 | L1 VALVE, REVERSING 1 |
| CC04 | L34 VALVE, SOLENOID, 2 STG COMPRESSOR |
| EE01 | RT6 SENSOR, A55 DISCHARGE (IMC) |
| CC01 | RT17 SENSOR, OUTSIDE AIR TEMP |
| EE02 | RT46 SENSOR, SAT. SUCT TEMP., COMP 1 |
| CC02 | RT48 SENSOR, SAT. LIQUID TEMP., COMP 1 |
| AA01 | S4 LIMIT, HI PRESS. SWITCH, COMP 1 |
| AA01 | S87 SWITCH, LOW PRESS., COMP 1 |
| DD04 | T1 TRANSFORMER, CONTROL |
| EE04 | T43 TRANSFORMER, REHEAT |

| NOTES | |
|-------|--|
| 1 | RT6 REMOTE MOUNT WIRING |
| 2 | MOVE WIRES FROM 240 TO 208 TAP ON TRANSFORMER FOR 208 VOLT APPLICATIONS |
| 3 | FOR MODULATING GAS HEAT UNIT ONLY, REFER TO RT6 AS SHOWN IN THE HEATING WIRING DIAGRAM (A-SECTION) |

← DENOTES OPTIONAL COMPONENTS AND WIRING

WARNING
DISCONNECT ALL POWER BEFORE SERVICING.
ELECTRIC SHOCK HAZARD, CAN CAUSE INJURY OR DEATH. UNIT MUST BE GROUNDED IN ACCORDANCE WITH NATIONAL AND LOCAL CODES.
FOR USE WITH COPPER CONDUCTORS ONLY. REFER TO UNIT RATING PLATE FOR MINIMUM CIRCUIT AMPACITY AND MAXIMUM OVERCURRENT PROTECTION SIZE.
IF ANY WIRE IN THIS APPLIANCE IS REPLACED, IT MUST BE REPLACED WITH WIRE OF LIKE SIZE, RATING AND INSULATION THICKNESS.

Model: LDT, LHT 036H - 072H Y VOLT HEATPUMP - EBM BLOWER WITH HIGHER SCCR
Voltage: 208-240V/3~/60Hz (Y)
Supersedes: N/A Form No: 538199-01 Rev: 4



| REV | EC NO. | DATE | BY | APVD | REVISION NOTE |
|-----|------------|------------|-----|------|---|
| -- | CN-008852 | 06/01/2022 | AXL | AAH | ORIGINATED AT PD&R CARROLLTON, TX |
| 003 | CN-014014F | 1/6/2026 | ZN | AWH | A) CLEANED UP WIRES TO GAS SECTION (A-SECT) |
| 004 | CN-013731A | 3/3/2026 | ZN | HMT | A) ADDED NOTE 3 FOR MODULATING GAS HEAT |



01

02

03

04

05

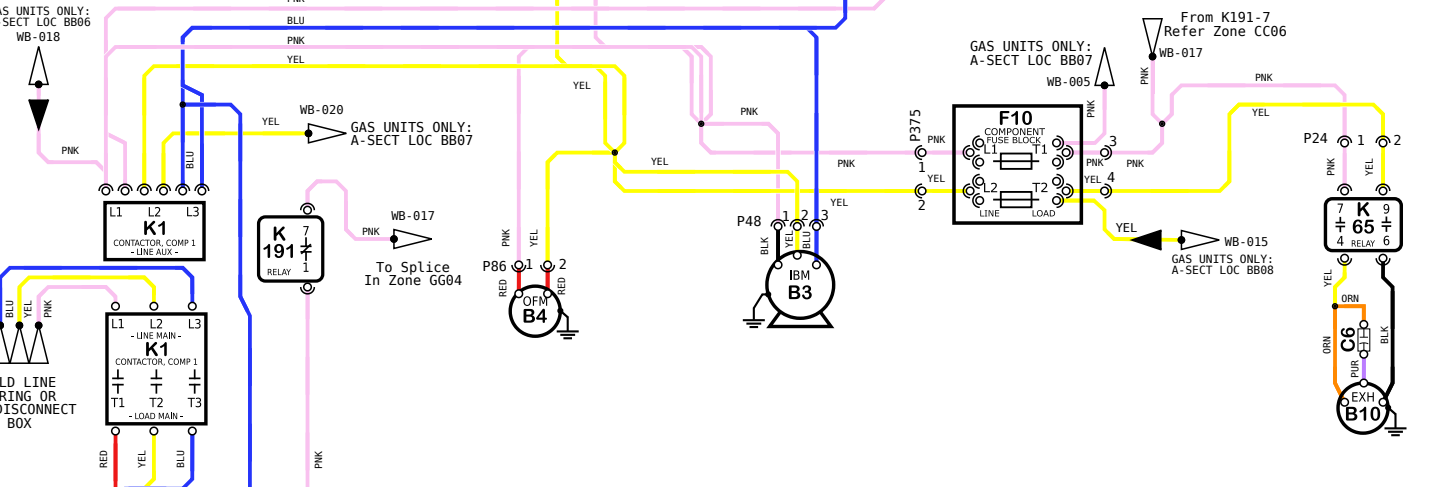
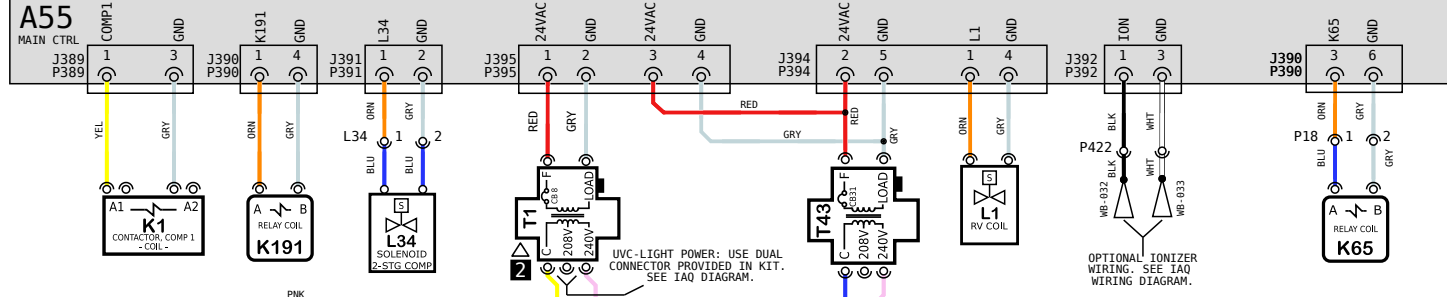
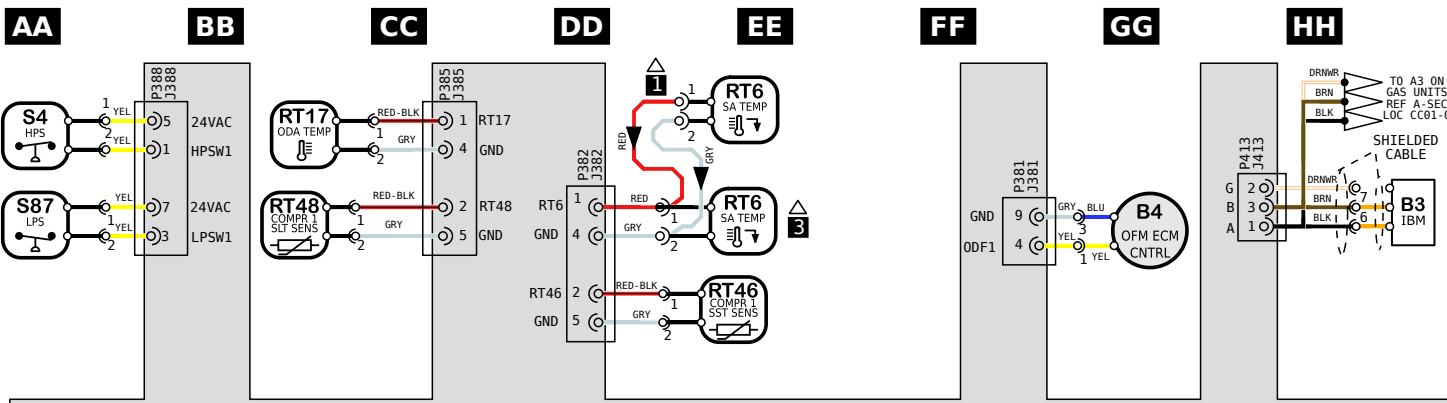
06

07

08

09

10



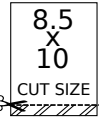
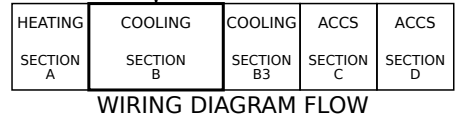
| LOCATION | COMPONENT DESCRIPTION |
|------------|--|
| AA01,02,03 | A55 CONTROL BOARD, MAIN |
| BB07 | B1 COMPRESSOR 1 |
| HH01,EE06 | B3 MOTOR, BLOWER |
| GG02,DD06 | B4 MOTOR, OUTDOOR FAN 1 |
| HH06 | B10 MOTOR, EXHAUST FAN 1 |
| HH06 | C6 CAPACITOR, EXHAUST FAN 1 |
| FF05 | F10 FUSE, COMPONENT |
| BB07 | HR1 HEATER, COMPRESSOR 1 |
| BB04,05,06 | K1 CONTACTOR, COMPRESSOR 1 |
| HH04,05 | K65 RELAY, EXHAUST FAN 1 |
| BB04,06 | K191 RELAY, CRANKCASE HEATER 1 |
| FF04 | L1 VALVE, REVERSING 1 |
| CC04 | L34 VALVE, SOLENOID, 2 STG COMPRESSOR |
| EE01 | RT6 SENSOR, A55 DISCHARGE (IMC) |
| CC01 | RT17 SENSOR, OUTSIDE AIR TEMP |
| EE02 | RT46 SENSOR, SAT. SUCT TEMP., COMP 1 |
| CC02 | RT48 SENSOR, SAT. LIQUID TEMP., COMP 1 |
| AA01 | S4 LIMIT, HI PRESS. SWITCH, COMP 1 |
| AA01 | S87 SWITCH, LOW PRESS., COMP 1 |
| DD04 | T1 TRANSFORMER, CONTROL |
| EE04 | T43 TRANSFORMER, REHEAT |

| NOTES | |
|-------|--|
| 1 | RT6 REMOTE MOUNT WIRING MOVE WIRES FROM 240 TO 208 TAP ON TRANSFORMER FOR 208 VOLT APPLICATIONS |
| 2 | FOR MODULATING GAS HEAT UNIT ONLY, REFER TO RT6 AS SHOWN IN THE HEATING WIRING DIAGRAM (A-SECTION) |
| 3 | |

← DENOTES OPTIONAL COMPONENTS AND WIRING

WARNING
DISCONNECT ALL POWER BEFORE SERVICING.
ELECTRIC SHOCK HAZARD, CAN CAUSE INJURY OR DEATH. UNIT MUST BE GROUNDED IN ACCORDANCE WITH NATIONAL AND LOCAL CODES.
FOR USE WITH COPPER CONDUCTORS ONLY. REFER TO UNIT RATING PLATE FOR MINIMUM CIRCUIT AMPACITY AND MAXIMUM OVERCURRENT PROTECTION SIZE.
IF ANY WIRE IN THIS APPLIANCE IS REPLACED, IT MUST BE REPLACED WITH WIRE OF LIKE SIZE, RATING AND INSULATION THICKNESS.

Model: LDT, LHT 036H - 072H Y VOLT HEATPUMP - EBM BLOWER WITH HIGHER SCCR
Voltage: 208-240V/3~/60Hz (Y)
Supersedes: N/A Form No: 538199-01 Rev: 4



| REV | EC NO. | DATE | BY | APVD | REVISION NOTE |
|-----|------------|------------|-----|------|---|
| -- | CN-008852 | 06/01/2022 | AXL | AAH | ORIGINATED AT PD&R CARROLLTON, TX |
| 003 | CN-014014F | 1/6/2026 | ZN | AWH | A) CLEANED UP WIRES TO GAS SECTION (A-SECT) |
| 004 | CN-013731A | 3/3/2026 | ZN | HMT | A) ADDED NOTE 3 FOR MODULATING GAS HEAT |