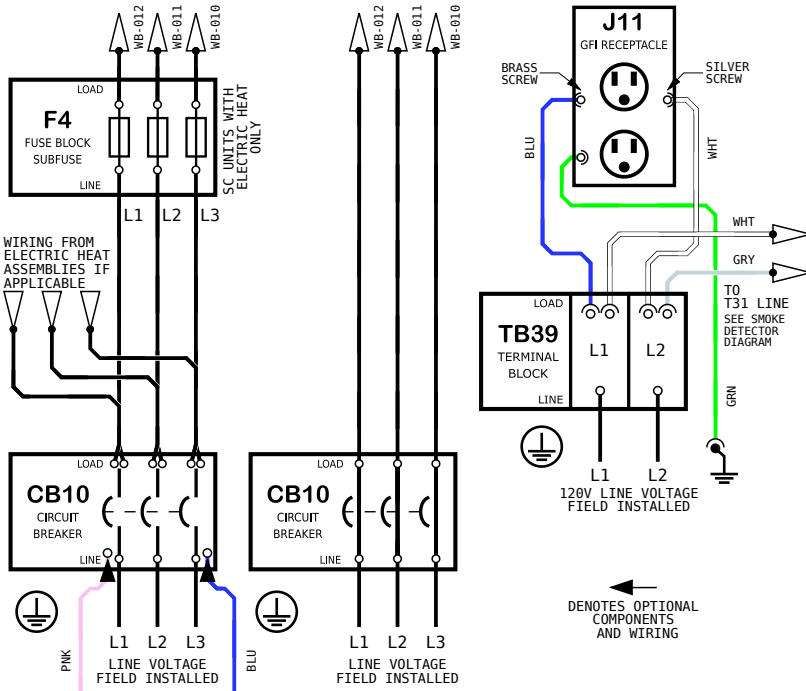


-----POWER ENTRY OPTIONS-----

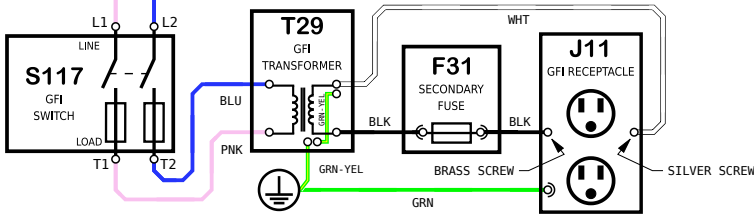
SC UNITS
 TO K1 LINE - 036/060
 TO K2 LINE - 092/120
 TO TB13 - 180/240

SG UNITS
 TO K1 LINE - 036/060
 TO K2 LINE - 092/120
 TO TB13 - 180/240

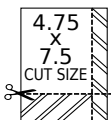
**FIELD WIRED
 GFI OUTLET**



UNIT POWERED GFI OUTLET



Model: SC, SG Series RTU
 Power Entry Options
 Voltage: All Voltages
 Supersedes: 538469-02 Form No: **538469-03** Rev: 0



| REV | EC NO. | DATE | BY | APVD | REVISION NOTE |
|-----|------------|------------|----|------|-----------------------------------|
| 0 | CN-014113J | 05-04-2026 | JA | RV | ORIGINATED AT PD&R CARROLLTON, TX |
| | | | | | |
| | | | | | |