

### INSTALLATION INSTRUCTIONS FOR TRANSITION KIT USED WITH LG/LC/LH/LD/KG/KC/KH092-150 UNITS

#### Shipping and Packing List

Package 1 of 1 contains:

- 1- Supply air transition
- 1- Return air transition
- 2- Supports

#### Application

The supply and return air transitions are used in downflow applications. The transitions convert unit supply and return air openings to match FD11 and RTD11 diffusers. See TABLE 1.

#### Installation

- 1 - Discard the two short supports provided with the roof curb. See FIGURE 1 or FIGURE 2. All supports are used only when custom ductwork is installed.
- 2 - Install the supply and return air supports as shown in FIGURE 1 or FIGURE 2.

TABLE 1

Cat #	Model #	Unit	A (in.)	B(in)
12X65; 104505-01	C1DIFF30B-1	LG/LC/LH/LD/KG/KC/KH078, 092	31-1/2	NA
12X66; 104506-01	C1DIFF31B-1	LG/LC/LH/LD/KG/KC/KH102, 120	31-1/2	27-3/4
12X67; 104507-01	C1DIFF32B-1	LG/LC/LH/LD/KG/KC/KH 150	39-1/2	35-3/4

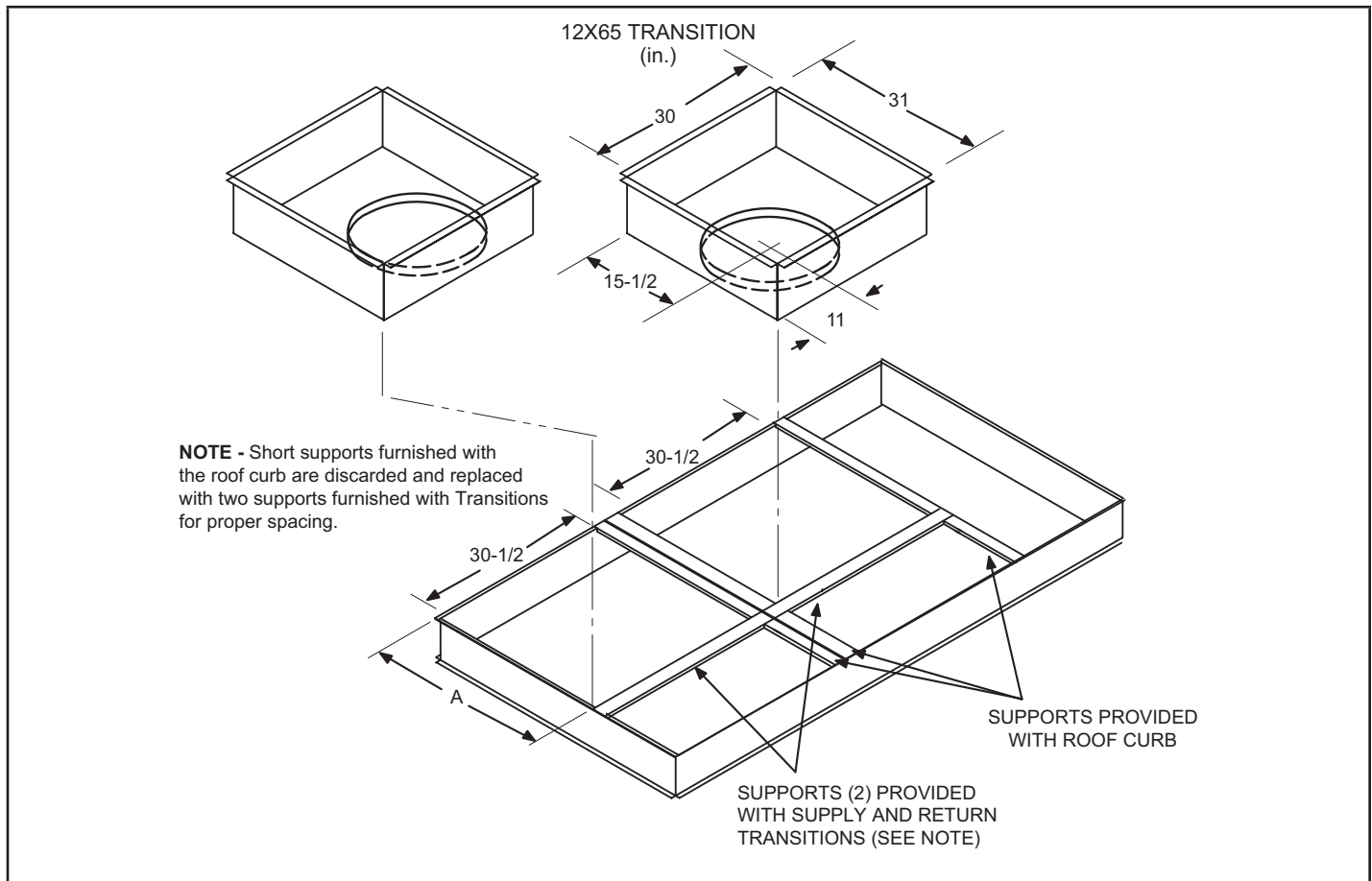
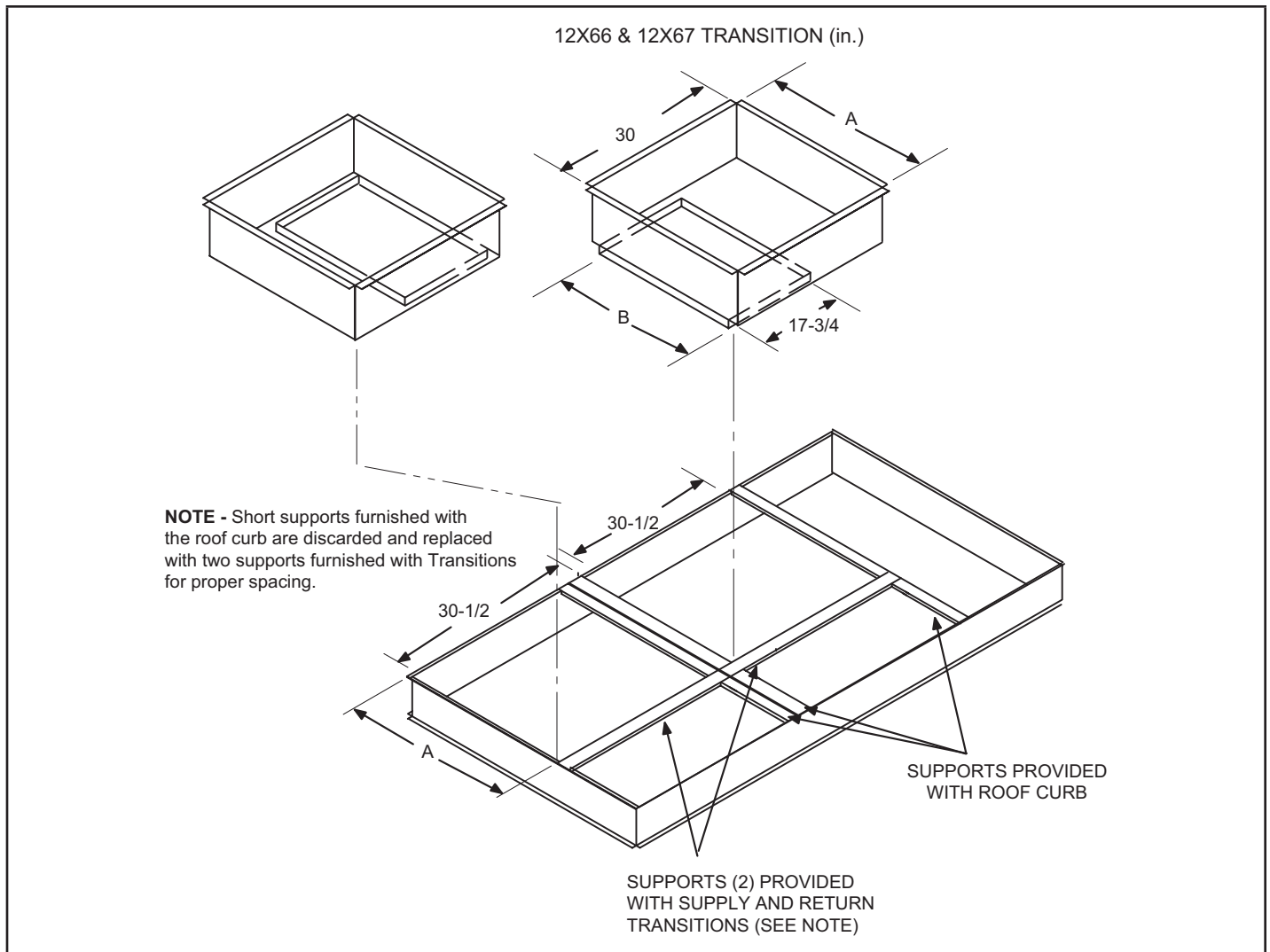


FIGURE 1



**FIGURE 2**

3 - Install transitions in the roof mounting curb before setting unit on curb.

**⚠ CAUTION**

As with any mechanical equipment, contact with sharp sheet metal edges can result in personal injury. Take care while handling this equipment and wear gloves and protective clothing.

**⚠ WARNING**

Improper installation, adjustment, alteration, service or maintenance can cause property damage, personal injury or loss of life. Installation and service must be performed by a licensed professional HVAC installer or equivalent, service agency, or the gas supplier.