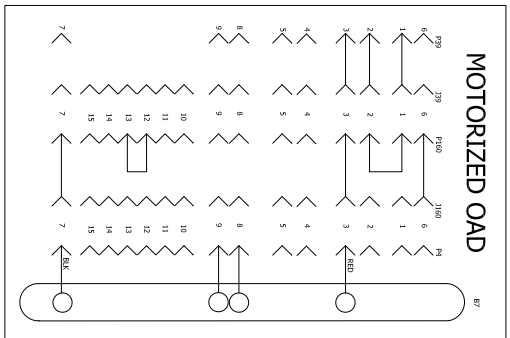


P VOLT	KW	HE1	HE2	HE3
048,060	5	5	5	5
036	7.5	7.5	7.5	7.5
10	15	15	15	15
22.5	7.5	7.5	7.5	7.5

G.J.V	KW	HE1	HE2
072	5	5	5
048,060	7.5	7.5	7.5
96	10	10	10
152	15	15	15
30	15	15	15

DESIGNATES OPTIONAL WIRING
CLASS II FIELD WIRING



- ▲ NOTE - FOR USE WITH COPPER CONDUCTORS ONLY REFER TO UNIT RATING PLATE FOR MINIMUM CIRCUIT AMPACITY AND MAXIMUM OVERCURRENT PROTECTION SIZE.
- ▲ IMPORTANT: TO PREVENT MOTOR BURNOUT, NEVER CONNECT MORE THAN ONE MOTOR LEAD TO ANY ONE CONNECTION, TAPE UNUSED MOTOR LEADS
- ▲ P.Y VOLT T1 WITH 208V TAP
- ▲ ELECTRIC HEAT FIELD OPTION.
- ▲ LOW AMBIENT KIT
- ▲ THERMOSTAT/SENSOR SUPPLIED BY USER REMOVE P3 WHEN ECONOMIZER OR OJON IS USED
- ▲ TIME CLOCK CONTACTS (OPT) CLOSED OCCURRED
- ▲ AG BENTHALP/SENSOR MAY BE USED INSTEAD OF S175
- ▲ THERMISTOR SWITCH AND RESISTOR REMOVE P2 WHEN ELECTRIC HEAT IS USED.
- ▲ ZCA 036,048,060 ONLY
- ▲ ZCB MODELS ONLY -G.J.V VOLT
- ▲ K3 IS FOR BELT DRIVE UNITS ONLY
- ▲ SMOKE DETECTOR (FIELD INSTALLED ONLY)

2026/06

538560-02

WIRING DIAGRAM 06/26

COOLING UNIT DIAGRAM

ZCD-036-060

SECTION B New Form No. 538560-02 REV 2

Supersedes 538305-01