



CBK47UHET (-71)

ELITE® Series

Upflow/Horizontal | Constant Torque Motor | TXV Furnished | R-454B | 60Hz

RESIDENTIAL / COMMERCIAL
PRODUCT SPECIFICATIONS (EHB)

1.5 to 5 Tons

Optional Electric Heat - 4 to 25 kW



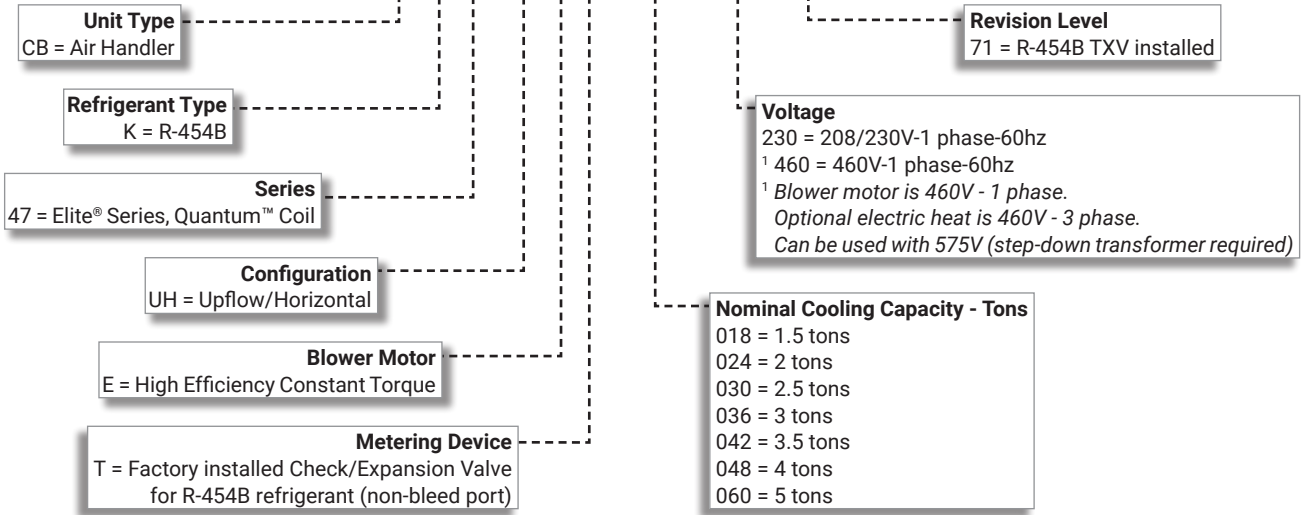
ELITE® SERIES



2025 COMPLIANT
REFRIGERANT

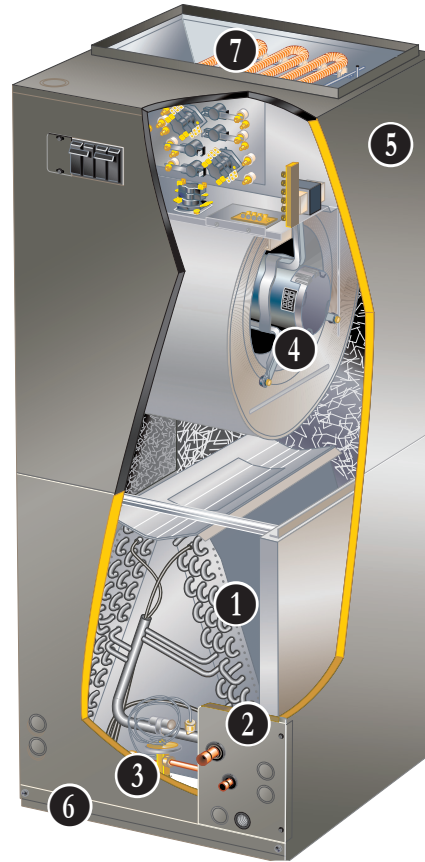
MODEL NUMBER IDENTIFICATION

CB K 47 UH E T - 030 - 230 - 71



FEATURE HIGHLIGHTS

1. Quantum™ Coil
2. Refrigerant Line Connections
3. Check and Expansion Valve
4. Power Saver™ Constant Torque Blower Motor
5. Heavy Gauge Steel Cabinet
6. Air Filter
7. Electric Heat (option)



CONTENTS

Approvals And Warranty	3
Blower Data	10
Control Options	6
Dimensions	24
- Accessories	27
- Unit - Downflow Position	25
- Unit - Horizontal Right-Hand Position	26
- Unit - Upflow Position	24
Electrical Data	8
Electric Heat Data	13
Features	3
Indoor Air Quality Product Options	6
Installation Clearances With Electric Heat	9
Optional Accessories - Order Separately	9
Replacement Circuit Breakers	12
Specifications	8

APPROVALS AND WARRANTY

APPROVALS

- Tested with matching air conditioners and heat pump units in the Lennox Research Laboratory environmental test room in accordance with AHRI Standard 210/240-2023
- AHRI Certified system match-ups and expanded ratings, visit www.LennoxPros.com
- ETL Listed to US and Canadian safety standards and components within are bonded for grounding to meet safety standards for servicing required by NEC and CEC.
- All models meet UL 60335-2-40 Refrigerant Detector Requirements
- Optional electric heaters are ETL listed and rated in accordance with US Department of Energy (DOE) test procedures and Federal Trade Commission (FTC) labeling regulations
- Blower performance data according to unit tests conducted in Lennox air test chamber
- Air handler units are approved for installation in manufactured housing and mobile homes.
- ISO 9001 Registered Manufacturing Quality System

WARRANTY

- All other covered components - Limited five years (residential), one year (non-residential)

NOTE - Refer to Lennox® Basic Limited Warranty at www.Lennox.com for additional details.

FEATURES

APPLICATIONS

- 1.5 to 5 ton nominal sizes
- Upflow or horizontal applications

NOTE - Downflow applications require optional conversion kit.

- Applicable to expansion valve systems in cooling applications and check and expansion valve systems in heat pump applications
- Wide-range check and expansion valve is factory installed
- Optional field installed electric heaters available in several sizes for additive heating capacity

REFRIGERANT SYSTEM

- 1 Quantum™ Coil**
 - Lennox designed and fabricated coils
 - Enhanced aluminum alloy tube/enhanced fin coil for superior corrosion resistance
 - Aluminum tubing, hairpins, distributor and header tubes.
 - Ripple-edged aluminum fins
 - Twin coil construction assembled in a "A" configuration for large surface area
 - Provides excellent heat transfer and low air resistance for maximum efficiency
 - Precise circuiting for uniform refrigerant distribution
 - Lanced fins provide maximum exposure of fin surface to air stream
 - Helical grooved tubing provides superior heat transfer
 - Coil thoroughly factory tested under high pressure to ensure leakproof construction
- 2 Refrigerant Line Connections**
 - Copper refrigerant sweat connections on both liquid and suction lines for easy brazing
 - Lines extend outside of the cabinet for ease of connection
 - See dimension drawings for locations

Braze-Free/Press Fitting Flexibility

- Units can accommodate braze-free or press fittings for installation versatility

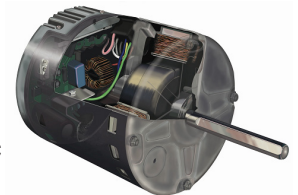
3 Check and Expansion Valve Furnished

- For use with R-454B systems
- Wide range valve with Chatleff style fitting
- Factory installed on all models, internal to cabinet

BLOWER

4 Power Saver™ Constant Torque Blower Motor

- Programmable high efficiency multi-speed blower motor. By maintaining constant torque output, blower motor can deliver more uniform (but not constant) airflow over the static pressure range
- Programmable multi-speed operation is achieved by the use of an ECM (Electronically Commutated Motor) motor
- Leadless blower motor features simple plug-in connections
- Choice of blower speeds is available. See Blower Data tables
- Blower speed change is easily accomplished by a simple wiring change



Blower Assembly

- Lennox designed and built, direct drive blower
- Statically and dynamically balanced as an assembly before installation in the unit
- Blower motor is resiliently mounted to blower assembly
- Blower slides out of cabinet for servicing

FEATURES

REFRIGERANT DETECTION SYSTEM (RDS)

- Complies with UL 60335-2-40 approved standard
- Required for all systems using R-454B refrigerant
- Consists of a factory installed Refrigerant Detection System (RDS) sensor and a Refrigerant Detection System (RDS) Blower Control Board

Refrigerant Detection System (RDS) Air Handler Sensor

- Sensor ensures safe operation for systems equipped with R-454B refrigerant
- Indoor sensor will detect any R-454B refrigerant

NOTE - Sensor must be repositioned for horizontal-right, horizontal-left, and downflow applications.

Blower Control Board

- Connected to the RDS sensor
- Used as interface between indoor unit and thermostat to control system
- Ensures safe operation for systems equipped with R-454B refrigerant
- If R-454B refrigerant is detected, the refrigerant detection system will stop compressor and/or heating operation and operate the blower to reduce concentrations in the conditioned space
- Once safe levels are reached the HVAC system will resume normal operation
- Multi-color LED for system status and as an aid in troubleshooting
 - Flashing LED codes for system status (Green/Blue) and diagnosing Sensor errors (Red)
- Alarm relay can trigger an external alarm if R-454B refrigerant is detected
- Zone relay opens all zone dampers (if part of a zoning system) if R-454B refrigerant is detected
- Power is disabled to thermostat to prevent demand if R-454B refrigerant is detected
- On system start-up blower will run for five minutes and any thermostat demands are disabled

NOTE - Refer to the Installation Instructions for additional information.

Optional Accessories

Thermostat

- Thermostat is not furnished with unit
- See Page 6

CABINET

- 5 • Constructed of heavy-gauge galvanized steel
- Completely insulated with thick fiberglass insulation
- Pre-painted steel with mildly textured enamel finish with primer coat on unpainted side of all panels
- Shipped in one piece but may be disassembled into two separate sections for ease of installation in tight applications
- Thick rubber gasket between sections of the two-piece cabinet provides an air tight seal
- No exposed screw heads on sides for tight installations without damage to walls or woodwork
- Removable panels provide complete service access
- Electrical inlets provided in sides and top of cabinet

Low Leakage Cabinet

- All models have less than 2% air leakage and meet ANSI/ASHRAE Standard 193-2010 "Method of Test for Determining the Air Tightness of HVAC Equipment"

Upflow/Horizontal Capability (Optional Downflow)

- Shipped for upflow and horizontal right-hand discharge
- May be field converted to horizontal left-hand air discharge by repositioning horizontal drain pan
- Optional downflow kit required for field conversion

Dual Position Anti-Microbial Drain Pans

- Drain pans designed for upflow, downflow or horizontal applications
- Deep, corrosion resistant plastic drain pans have dual pipe drains
- Anti-Microbial additive resists growth of mold and mildew on drain pan which improves indoor air quality and reduces drain line blockage
- See dimension drawings

FEATURES

CABINET (Continued)

Optional Accessories

Downflow Combustible Flooring Floor Base (25 kW Electric Heat Applications Only)

- Base is required for models with electric heat installed in downflow position on combustible floors

Downflow Conversion Kit

- Required for field conversion to downflow position
- Kit consists of drip shields and brackets for repositioning coil and drain pan

Horizontal Support Frame Kit

- Provides support of unit in horizontal applications
- Consists of (2) 1 x 1-1/2 x 32-5/8 in. and (2) 1 x 3 x 53-7/8 in. painted heavy gauge cold rolled steel support channels with assembly and suspending holes
- Bolts and nuts furnished for field assembly
- Suspending rods must be field provided

Side Return Unit Stand (Upflow Only)

- Raises unit 16 in. above floor for side return air duct connection
- Eliminates need for wooden platform construction
- All aluminum construction
- Two adjustable frames fit -018/024 thru -060 models

Wall Hanging Bracket Kit (Upflow Only)

- Allows unit to be hung on wall at any height
- Consists of heavy-gauge steel support brackets (one for air handler, one for wall mount)
- Screws furnished for fastening one bracket to unit
- Bolts for fastening one bracket to wall are field provided

High Performance Economizer (Commercial Applications Only)

- Designed for applications requiring outdoor air to be utilized in a commercial HVAC system. Allows the entry of fresh outdoor air for free cooling, reducing the requirement for mechanical cooling
- Heavy gauge galvanized steel cabinet lined with thick fiberglass insulation
- Mixed air sensor, outdoor air sensor and 24VAC transformer furnished
- Approved for California Title 24 building standards
- ASHRAE 90.1-2010 compliant
- See separate Product Specifications document for additional information and available control and sensor options

FILTER

- 6** • Disposable 1 inch filter is furnished
- Filter rack furnished in cabinet for easy filter installation
- See Specifications tables for filter sizes

OPTIONAL ELECTRIC HEAT

- ETL listed
- 7** • Field install internal to unit cabinet
- Available in several voltages and kW sizes. See Electric Heat tables
- Helix wound nichrome heating elements exposed directly in air stream resulting in instant heat transfer, low element temperatures and long service life
- Each element equipped with accurately located limit control with fixed temperature off setting and automatic reset
- Supplemental thermal cutoff limit control, provides positive protection in case of excessive temperatures
- Thermal sequencer relay brings elements on and off line, in sequence and equal increments, with time delay between each
- Heating control relay(s) furnished as standard
- Control box and access cover constructed of heavy gauge galvanized steel
- Factory assembled with controls installed and wired
- Electric heat control wiring plugs into connector in air handler unit

Circuit Breaker (CB) Models

- All "CB" model heaters are equipped with circuit breakers for overload and short circuit protection
- Factory wired and mounted on electric heat unit
- Current sensitive and temperature actuated
- Manual reset
- Circuit breakers qualify as disconnect means at unit in many areas, eliminate the need for field provided disconnect
- Consult local electrical code in your area.

NOTE - 460V-3 phase air handlers can be used in 575V applications.
575V electric heaters are shipped with a 575V to 460V step-down transformer.

Optional Accessories

Electric Heat Circuit Breaker Cover Kit

- Flexible plastic cover protects circuit breaker
- Recommended in areas with high humidity or unconditioned areas to prevent nuisance tripping

Single-Point Power Source Control Box

- Control Box may be used with optional electric heat when single power supply is connected to multi-circuit electric heat
- Field installs external to the unit cabinet on either side or top
- Constructed of heavy gauge steel, baked enamel finish, pre-punched mounting holes, electrical inlet knockouts, and terminal strip
- Removable cover provides easy access
- Dimensions (H x W x D) - 7 x 7 x 4 in.

INDOOR AIR QUALITY PRODUCT OPTIONS

Healthy Climate® PureAir® Air Purification System

- Filtration - The Carbon Clean 16® (MERV 16) media filter captures more than 95% of particles 0.3 microns and larger and more than 90% of particles 0.01 microns and larger
- Highest airflow performance and lowest pressure drop when compared to a leading brand.
- Long life filters up to 1 year



Healthy Climate® Media Air Cleaner

- High performance in a narrow 7 in. cabinet
- Available with MERV 11, 13, or 16 rated filters
- Multi-position heavy gauge steel cabinet will support furnace/coil or air handler and associated duct work
- Tool-less entry
- Tool-less assembly for quick installation



Healthy Climate® Whole Home In Duct Air Purifiers

- Compact Duct Mounted Design
- Effective against odors and VOC's
- Certified Ozone free
- UVC lamp and carbon cells



Healthy Climate® Ultraviolet Germicidal Lights

- Compact duct mounted design
- Single or dual applications
- Certified ozone free
- Effective against odors to help keep the system clean
- Safety Interlocks (Additional UVC Compliance Kit for UL 60335-2-40 is available for A2L applications)
- Low power consumption
- Available for 24V or 110/230V
- Up to 1340 microwatts /cm² output (dual lamp model)



NOTE - Please refer to the individual Product Specifications for these products for full information.

CONTROL OPTIONS

E40 Smart Wi-Fi Thermostat

- 3 Htg.-2 Clg.
- 7-day, universal, programmable, touchscreen thermostat
- Controls dehumidification during cooling mode and humidification during heating mode
- Smooth Setback Recovery and compressor short-cycle protection
- One-Touch Away Mode, Smart Away™ (geo-fencing), equipment maintenance reminders and scheduling
- Smart home automation compatible with Amazon Alexa®, Google Assistant, Control4®, Building36® and Matter
- Lennox® Home App controls temperature, fan operation, set programs/schedules and set Away mode on a smartphone
- Lennox Smart Tech App allows the installer to commission the system and remotely turn the system on and off during setup or service call on a smartphone



- Smart home automation compatible with Amazon Alexa®, Google Assistant, Control4®, Building36® and Matter
- Lennox® Home App controls temperature, fan operation, set programs/schedules and set Away mode on a smartphone
- Lennox Smart Tech App allows the installer to commission the system and remotely turn the system on and off during setup or service call on a smartphone

M40 Smart Wi-Fi Thermostat

- 3 Htg.-2 Clg.
- 7-day, universal, programmable, touchscreen thermostat
- Smooth Setback Recovery and compressor short-cycle protection
- One-Touch Away Mode, Smart Away™ (geo-fencing), equipment maintenance reminders and scheduling
- Smart home automation compatible with Apple HomeKit™, Amazon Alexa®, Google Assistant and Matter
- Lennox® Home App controls temperature, fan operation, set programs/schedules and set Away mode on a smartphone
- Lennox Smart Tech App allows the installer to commission the system and remotely turn the system on and off during setup or service call on a smartphone



L40 Smart Wi-Fi Thermostat

- 2 Htg.-1 Clg.
- 7-day, universal, programmable, touchscreen thermostat
- Provides temperature control for gas, electric and heat pumps for single-stage heating or cooling systems (including dual-fuel operation)
- One-Touch Away Mode, Smart Away™ (geo-fencing), equipment maintenance reminders and scheduling
- Smooth Setback Recovery and compressor short-cycle protection



NOTE - Please refer to the individual Product Specifications for these products for full information.

INDOOR AIR QUALITY PRODUCT OPTIONS - ORDERING

NOTE - Refer to the individual Product Specifications documents for additional accessories and maintenance items.

Description	Dimensions	Matching Air Handler	Order Number
PureAir® S Air Purification System			
PCO3S-14-16	21-1/8 x 8-3/4 x 23-3/4	---	Y8905
PCO3S-16-16	17-1/2 x 8-3/4 x 26-1/2	---	Y8904
PCO3S-20-16	21-1/8 x 8-3/4 x 26-1/2	---	Y8903
Healthy Climate® Media Air Cleaner			
HCC08-21 (Cabinet)	21-1/4 x 21-1/8 x 7	CBK47UHET-018 CBK47UHET-024	26Z83
HCF14-16 (Filter) MERV 16	20 x 20 x 5		X7935
HCXF14-16 (Exp. Filter) MERV 16	20 x 20 x 5		X8308
HCF14-13 (Filter) MERV 13	20 x 20 x 5		19L14
HCF14-11 (Filter) MERV 11	20 x 20 x 5		X0585
HCXF14-11 (Exp. Filter) MERV 11	20 x 20 x 5		X8305
HCC14-23 (Cabinet)	21-1/4 x 23-1/8 x 7	CBK47UHET-030 CBK47UHET-036	X7930
HCF14-16 (Filter) MERV 16	20 x 20 x 5		X7935
HCXF14-16 (Exp. Filter) MERV 16	20 x 20 x 5		X8308
HCF14-13 MERV 13	20 x 20 x 5		19L14
HCF14-11 (Filter) MERV 11	20 x 20 x 5		X0585
HCXF14-11 (Exp. Filter) MERV 11	20 x 20 x 5		X8305
HCC19-25 (Cabinet)	21-1/4 x 25-1/8 x 7	CBK47UHET-042 CBK47UHET-048 CBK47UHET-060	26Z84
HCF19-16 (Filter) MERV 16	20 x 22 x 5		26Z91
HCF19-11 (Filter) MERV 11	20 x 22 x 5		26Z89
Healthy Climate® Whole Home In Duct Air Purifiers			
HCWHAP1	8 x 7 x 16.5	---	23V99
Healthy Climate® Ultraviolet Germicidal Lights			
UVC-24V (24V) 17-1/2 in.	Ballast 4-3/4 x 2-1/4 x 2	---	X9423
UVC-41W-S (110/230V) 17-1/2 in.	Ballast 11-3/4 x 2-3/4 x 1-5/8	---	X9424
UVC-41W-D (110/230V) 17-1/2 in.	Ballast 11-3/4 x 2-3/4 x 1-5/8	---	X9425
CONTROLS - ORDERING			
E40 Smart Wi-Fi Thermostat	3-3/8 x 5-3/8 x 1	---	30L26
Lennox® Smart Room Sensor	4 x 5-1/2 x 3	---	22V25
Lennox® Smart Air Quality Monitor	3-5/8 x 4-3/8 x 1-3/8	---	21P02
Lennox® Wireless Extender	4 x 5-1/2 x 2-1/2	---	22V26
¹ L40 Smart Wi-Fi Thermostat	2-13/16 x 2-13/16 x 1/4	---	27V51
M40 Smart Wi-Fi Thermostat	3-5/16 x 4-5/16 x 7/8	---	30L27
Thermostat Accessories			
² Discharge Air Temperature Sensor (For E40)			88K38
³ Remote Outdoor Air Temperature Sensor (For dual-fuel and Humiditrol®)			X2658

¹ All optional electric heat is controlled as a single stage of heating.

² Optional for service diagnostics (E40).

³ Remote Outdoor Air Temperature Sensor is used with conventional (non-Lennox® Communicating) outdoor units (sensor is furnished with Lennox® Communicating outdoor units). Allows the thermostat to display outdoor temperature. Required in dual-fuel and Humiditrol® applications.

SPECIFICATIONS

Size		018	024	030	036
Nominal Tonnage		1.5	2	2.5	3
Refrigerant Type		R-454B	R-454B	R-454B	R-454B
Factory Installed Expansion Valve (TXV)		26Z70	26Z70	26Z70	26Z70
Connections	Liquid line (OD) sweat - in.	3/8	3/8	3/8	3/8
	Suction line (OD) sweat - in.	3/4	3/4	3/4	3/4
	Condensate drain (FPT) - in.	(2) 3/4	(2) 3/4	(2) 3/4	(2) 3/4
Indoor Coil	Net face area - ft. ²	4.44	4.44	5.0	5.0
	Tube diameter - in.	3/8	3/8	3/8	3/8
	Rows	3	3	3	3
	Fins - in.	14	14	14	14
Blower	HP	1/2	1/2	1/2	1/2
	Wheel nominal diameter x width - in.	10 x 8	10 x 8	11 x 8	11 x 8
	Air volume range - cfm	262 - 959	365 - 1095	365 - 1278	606 - 1498
¹ Filters	Size - in.	20 x 20 x 1	20 x 20 x 1	20 x 20 x 1	20 x 20 x 1
Shipping Data - lbs.		137	137	150	150

ELECTRICAL DATA

Line voltage data (Volts-Phase-Hz)	208/230-1-60	208/230-1-60	208/230-1-60	208/230-1-60
	---	---	---	³ 460-1-60
² Maximum overcurrent protection (MOCP) amps (unit)	15	15	15	15
Minimum circuit ampacity (MCA) - 208/230V (unit)	5.1	5.1	5.1	5.1
Blower Motor Full Load Amps - 208/230V	4.1	4.1	4.1	4.1
Minimum circuit ampacity (MCA) - 460V (unit)	---	---	---	2.6
Blower Motor Full Load Amps - 460V	---	---	---	2.1

SPECIFICATIONS

Size		042	048	060
Nominal Tonnage		3.5	4	5
Refrigerant Type		R-454B	R-454B	R-454B
Factory Installed Expansion Valve (TXV)		26Z71	26Z71	26Z72
Connections	Liquid line (OD) sweat - in.	3/8	3/8	3/8
	Suction line (OD) sweat - in.	7/8	7/8	7/8
	Condensate drain (FPT) - in.	(2) 3/4	(2) 3/4	(2) 3/4
Indoor Coil	Net face area - ft. ²	7.22	7.22	8.33
	Tube diameter - in.	3/8	3/8	3/8
	Rows	3	3	3
	Fins - in.	14	14	14
Blower	HP	1	1	1
	Wheel nominal diameter x width - in.	12 x 9	12 x 9	12 x 9
	Air volume range - cfm	815 - 1723	867 - 1903	946 - 2268
¹ Filters	Size - in.	20 x 24 x 1	20 x 24 x 1	20 x 24 x 1
Shipping Data - lbs.		186	186	199

ELECTRICAL DATA

Line voltage data (Volts-Phase-Hz)	208/230-1-60	208/230-1-60	208/230-1-60
	---	⁴ 460-1-60	⁴ 460-1-60
² Maximum overcurrent protection (MOCP) amps (unit)	15	15	15
Minimum circuit ampacity (MCA) - 208/230V (unit)	10	10	10
Blower Motor Full Load Amps - 208/230V	7.6	7.6	7.6
Minimum circuit ampacity (MCA) - 460V (unit)	---	5	5
Blower Motor Full Load Amps - 460V	---	3.5	3.5

¹ Disposable filter.

² HACR type circuit breaker or fuse.

³ Refer to National or Canadian Electrical Code manual to determine wire, fuse and disconnect size requirements. Use wires suitable for at least 167°F.

⁴ Blower motor is 460V - 1 phase. Optional electric heat is 460V - 3 phase.

⁵ Blower motor is 460V - 1 phase. Optional electric heat is 460V or 575V - 3 phase.

OPTIONAL ACCESSORIES - ORDER SEPARATELY

Description	Order Number
Downflow Combustible Flooring Base (25 kW Electric Heat Only)	44K15
Downflow Conversion Kit	28B60
Electric Heat	See Electric Heat Data Tables on Page 13
Electric Heat Circuit Breaker Cover Kit	82W01
Horizontal Support Frame Kit	56J18
Side Return Unit Stand (Upflow Only)	45K32
Single-Point Power Source Control Box (for Electric Heat)	21H39
Wall Hanging Bracket Kit (Upflow Only)	45K30
High Performance Economizer (Commercial Only)	10U53

INSTALLATION CLEARANCES WITH ELECTRIC HEAT

4 to 20kW Electric Heat		25kW Electric Heat	
Cabinet	0 inch (0 mm)	Cabinet	0 inch (0 mm)
To Plenum	0 inch (0 mm)	To Plenum	1 inch (25 mm)
To Outlet Duct	0 inch (0 mm)	To Outlet Duct within 3 feet (914 mm)	1 inch (25 mm)
Floor	0 inch (0 mm)	Floor	See Note #1
Service / Maintenance	See Note #2	Service / Maintenance	See Note #2

¹ Units installed on combustible floors in the downflow position with electric heat DO require a downflow combustible flooring base.

² Front service access - 24 inches (610 mm) minimum.

NOTE - If cabinet depth is more than 24 inches (610 mm), allow a minimum of the cabinet depth plus 2 inches (51 mm).

BLOWER DATA

CBK47UHET-018 BLOWER PERFORMANCE

External Static Pressure in. w.g.	Air Volume and Motor Watts									
	Tap 1		Tap 2		Tap 3		Tap 4		Tap 5	
	cfm	Watts	cfm	Watts	cfm	Watts	cfm	Watts	cfm	Watts
0.10	589	55	713	80	805	101	805	101	963	155
0.20	520	61	666	88	760	109	760	109	928	163
0.30	452	67	601	96	710	118	710	118	889	173
0.40	407	73	548	101	647	126	647	126	851	181
0.50	344	81	502	107	598	132	598	132	803	190
0.60	293	84	456	114	561	138	561	138	748	199
0.70	---	---	418	122	522	143	522	143	714	207
0.80	---	---	362	128	479	150	479	150	676	213
0.90	---	---	315	132	435	162	435	162	640	220
1.00	---	---	---	---	389	167	389	167	602	228
1.10	---	---	---	---	341	173	341	173	576	234
1.20	---	---	---	---	---	---	---	---	540	243

NOTE - All air data measured external to unit with dry coil and 1 inch non-pleated air filter in place.
Electric heaters have no appreciable air resistance.

CBK47UHET-024 BLOWER PERFORMANCE

External Static Pressure in. w.g.	Air Volume and Motor Watts									
	Tap 1		Tap 2		Tap 3		Tap 4		Tap 5	
	cfm	Watts	cfm	Watts	cfm	Watts	cfm	Watts	cfm	Watts
0.10	665	68	804	101	933	143	933	143	1056	197
0.20	613	74	762	106	889	151	889	151	1019	206
0.30	556	81	718	114	856	158	856	158	988	214
0.40	481	87	667	122	822	165	822	165	953	222
0.50	425	93	614	129	772	175	772	175	922	229
0.60	368	97	527	138	733	182	733	182	895	238
0.70	336	101	487	143	683	193	683	193	846	249
0.80	293	105	455	148	597	202	597	202	799	258
0.90	239	108	414	153	555	208	555	208	725	268
1.00	---	---	367	158	519	212	519	212	656	276
1.10	---	---	312	162	485	215	485	215	592	267
1.20	---	---	291	163	468	219	468	219	486	240

NOTE - All air data measured external to unit with dry coil and 1 inch non-pleated air filter in place.
Electric heaters have no appreciable air resistance.

CBK47UHET-030 BLOWER PERFORMANCE

External Static Pressure in. w.g.	Air Volume and Motor Watts									
	Tap 1		Tap 2		Tap 3		Tap 4		Tap 5	
	cfm	Watts	cfm	Watts	cfm	Watts	cfm	Watts	cfm	Watts
0.10	775	77	1074	152	1158	182	1158	182	1256	215
0.20	727	84	1023	163	1115	193	1115	193	1215	226
0.30	669	91	990	170	1081	200	1081	200	1169	237
0.40	590	100	948	180	1040	211	1040	211	1135	246
0.50	522	106	913	186	1007	219	1007	219	1100	255
0.60	463	114	870	196	967	227	967	227	1065	263
0.70	417	121	812	206	930	236	930	236	1031	272
0.80	375	127	735	219	871	250	871	250	993	281
0.90	339	130	676	231	791	264	791	264	965	290

NOTE - All air data measured external to unit with dry coil and 1 inch non-pleated air filter in place.
Electric heaters have no appreciable air resistance.

BLOWER DATA

CBK47UHET-036 BLOWER PERFORMANCE

External Static Pressure in. w.g.	Air Volume and Motor Watts									
	Tap 1		Tap 2		Tap 3		Tap 4		Tap 5	
	cfm	Watts	cfm	Watts	cfm	Watts	cfm	Watts	cfm	Watts
0.10	973	115	1239	210	1301	243	1301	243	1447	320
0.20	925	123	1194	221	1264	253	1264	253	1411	331
0.30	876	131	1156	230	1229	263	1229	263	1379	341
0.40	841	138	1118	240	1189	275	1189	275	1336	354
0.50	762	150	1082	248	1158	284	1158	284	1306	364
0.60	694	161	1049	257	1127	293	1127	293	1274	375
0.70	644	168	1001	270	1094	303	1094	303	1241	386
0.80	583	178	978	279	1032	321	1032	321	1215	394
0.90	552	184	868	299	958	339	958	339	1169	412
1.00	497	193	828	307	913	350	913	350	1112	430
1.10	455	201	783	318	877	357	877	357	1059	445
1.20	418	207	745	327	838	367	838	367	1011	458

NOTE - All air data measured external to unit with dry coil and 1 inch non-pleated air filter in place.
Electric heaters have no appreciable air resistance.

CBK47UHET-042 BLOWER PERFORMANCE

External Static Pressure in. w.g.	Air Volume and Motor Watts									
	Tap 1		Tap 2		Tap 3		Tap 4		Tap 5	
	cfm	Watts	cfm	Watts	cfm	Watts	cfm	Watts	cfm	Watts
0.10	1185	150	1330	202	1534	279	1471	282	1697	405
0.20	1131	161	1278	214	1487	293	1437	292	1659	419
0.30	1077	171	1236	224	1447	304	1395	305	1620	434
0.40	1029	181	1191	235	1406	317	1353	315	1590	445
0.50	989	188	1152	244	1367	327	1310	331	1552	459
0.60	922	201	1107	255	1319	342	1277	341	1521	471
0.70	872	210	1061	265	1286	352	1240	352	1483	487
0.80	833	217	1013	276	1248	363	1200	365	1453	497
0.90	774	225	970	285	1199	377	1162	376	1415	511
1.00	742	233	937	293	1160	388	1085	393	1384	525
1.10	651	250	893	302	1121	398	1072	400	1302	544
1.20	606	259	816	315	1077	410	1038	410	1277	553

NOTE - All air data measured external to unit with dry coil and 1 inch non-pleated air filter in place.
Electric heaters have no appreciable air resistance.

CBK47UHET-048 BLOWER PERFORMANCE

External Static Pressure in. w.g.	Air Volume and Motor Watts									
	Tap 1		Tap 2		Tap 3		Tap 4		Tap 5	
	cfm	Watts	cfm	Watts	cfm	Watts	cfm	Watts	cfm	Watts
0.10	1202	172	1569	355	1755	470	1753	472	1967	637
0.20	1147	192	1526	376	1713	486	1728	495	1942	647
0.30	1121	191	1498	372	1701	497	1675	497	1916	657
0.40	1066	201	1452	383	1675	529	1669	511	1879	681
0.50	1031	220	1430	411	1636	524	1639	536	1845	704
0.60	936	227	1400	404	1602	547	1594	548	1811	713
0.70	865	237	1358	421	1582	562	1584	541	1777	730
0.80	827	251	1328	441	1551	566	1545	569	1767	731
0.90	777	253	1292	442	1524	572	1513	581	1732	758
1.00	718	278	1258	453	1487	580	1482	588	1703	777
1.10	692	272	1152	498	1451	613	1452	599	1681	788
1.20	666	293	1115	507	1429	624	1412	627	1639	783

NOTE - All air data measured external to unit with dry coil and 1 inch non-pleated air filter in place.
Electric heaters have no appreciable air resistance.

BLOWER DATA

CBK47UHET-060 BLOWER PERFORMANCE

External Static Pressure in. w.g.	Air Volume and Motor Watts									
	Tap 1		Tap 2		Tap 3		Tap 4		Tap 5	
	cfm	Watts	cfm	Watts	cfm	Watts	cfm	Watts	cfm	Watts
0.10	1354	222	1768	454	1954	616	1870	550	2148	808
0.20	1307	240	1742	478	1929	627	1845	556	2124	846
0.30	1267	246	1706	479	1898	643	1817	581	2097	843
0.40	1222	263	1677	492	1861	675	1781	609	2058	859
0.50	1177	273	1644	511	1837	693	1759	616	2034	888
0.60	1150	289	1608	526	1814	703	1719	635	2019	894
0.70	1044	308	1577	555	1786	687	1671	661	1975	912
0.80	994	311	1537	577	1773	710	1645	680	1938	930
0.90	938	317	1516	561	1712	736	1639	666	1927	938
1.00	877	330	1475	590	1696	753	1613	687	1892	943
1.10	846	346	1418	619	1677	755	1567	713	1836	945
1.20	816	345	1392	626	1648	765	1526	719	1795	940

NOTE - All air data measured external to unit with dry coil and 1 inch non-pleated air filter in place.
Electric heaters have no appreciable air resistance.

REPLACEMENT CIRCUIT BREAKERS

Voltage	Description	Catalog No.	Voltage	Description	Catalog No.
208/240V - 1 Phase	25 amp, 2 pole	41K13	208/240V - 3 Phase	30 amp, 3 pole	64W47
	30 amp, 2 pole	17K70		35 amp, 3 pole	41K14
	35 amp, 2 pole	72K07		40 amp, 3 pole	41K16
	40 amp, 2 pole	49K14		45 amp, 3 pole	18M86
	45 amp, 2 pole	17K71		50 amp, 3 pole	41K15
	50 amp, 2 pole	41K12		60 amp, 3 pole	41K17
	60 amp, 2 pole	17K72			

ELECTRIC HEAT DATA

CBK47UHET-018 | SINGLE PHASE

	Electric Heat Model Number	No. of Stages	Input			² Blower Motor Full Load Amps	³ Minimum Circuit Ampacity	⁵ Maximum Overcurrent Protection
			Volts	kW	¹ Btuh			
4 kW 4 lbs.	ECB47-4 (27A30) Terminal Block ECB47-4CB (27A29) 30A Circuit breaker	1	208	3.0	10,250	4.1	23	4 25
			220	3.4	11,450	4.1	24	4 25
			230	3.7	12,550	4.1	25	4 25
			240	4.0	13,650	4.1	26	30
5 kW 4 lbs.	ECB47-5 (27A31) Terminal Block ECB47-5CB (27A24) 35A Circuit breaker	1	208	3.8	12,800	4.1	28	4 30
			220	4.2	14,300	4.1	29	4 30
			230	4.6	15,700	4.1	30	4 30
			240	5.0	17,100	4.1	31	35
6 kW 4 lbs.	ECB47-6 (27A26) Terminal Block ECB47-6CB (27A25) 40A Circuit breaker	1	208	4.5	15,400	4.1	32	4 35
			220	5.0	17,100	4.1	34	4 35
			230	5.5	18,800	4.1	35	4 35
			240	6.0	20,500	4.1	36	40
8 kW 5 lbs.	ECB47-8 (27A21) Terminal Block ECB47-8CB (27A32) 50A Circuit breaker	1	208	6.0	20,500	4.1	41	4 45
			220	6.7	22,900	4.1	43	4 45
			230	7.3	25,100	4.1	45	4 45
			240	8.0	27,300	4.1	47	50
9 kW 5 lbs.	ECB47-9 (27A22) Terminal Block ECB47-9CB (27A27) 60A Circuit breaker	2	208	6.8	23,100	4.1	46	4 50
			220	7.6	25,800	4.1	48	4 50
			230	8.3	28,200	4.1	50	4 50
			240	9.0	30,700	4.1	52	60

NOTE - Circuit 1 Minimum Circuit Ampacity includes the Blower Motor Full Load Amps.

¹ Electric heater capacity only - does not include additional blower motor heat capacity.

² Amps shown are for blower motor only.

³ Refer to National or Canadian Electrical Code manual to determine wire, fuse and disconnect size requirements. Use wires suitable for at least 167°F.

⁴ **Bold text indicates that the circuit breaker on "CB" circuit breaker models must be replaced with size noted. See Table on Page 12.**

⁵ HACR type circuit breaker or fuse.

ELECTRIC HEAT DATA

CBK47UHET-024 | SINGLE PHASE

Electric Heat Model Number	No. of Stages	Input			² Blower Motor Full Load Amps	³ Minimum Circuit Ampacity	⁵ Maximum Overcurrent Protection
		Volts	kW	¹ Btuh			
4 kW 4 lbs. ECB47-4 (27A30) Terminal Block ECB47-4CB (27A29) 30A Circuit breaker	1	↵	3.0	10,250	4.1	23	⁴ 25
		220	3.4	11,450	4.1	24	⁴ 25
		230	3.7	12,550	4.1	25	⁴ 25
		240	4.0	13,650	4.1	26	30
5 kW 4 lbs. ECB47-5 (27A31) Terminal Block ECB47-5CB (27A24) 35A Circuit breaker	1	208	3.8	12,800	4.1	28	⁴ 30
		220	4.2	14,300	4.1	29	⁴ 30
		230	4.6	15,700	4.1	30	⁴ 30
		240	5.0	17,100	4.1	31	35
6 kW 4 lbs. ECB47-6 (27A26) Terminal Block ECB47-6CB (27A25) 40A Circuit breaker	1	208	4.5	15,400	4.1	32	⁴ 35
		220	5.0	17,100	4.1	34	⁴ 35
		230	5.5	18,800	4.1	35	⁴ 35
		240	6.0	20,500	4.1	36	40
8 kW 5 lbs. ECB47-8 (27A21) Terminal Block ECB47-8CB (27A32) 50A Circuit breaker	1	208	6.0	20,500	4.1	41	⁴ 45
		220	6.7	22,900	4.1	43	⁴ 45
		230	7.3	25,100	4.1	45	⁴ 45
		240	8.0	27,300	4.1	47	50
9 kW 5 lbs. ECB47-9 (27A22) Terminal Block ECB47-9CB (27A27) 60A Circuit breaker	2	208	6.8	23,100	4.1	46	⁴ 50
		220	7.6	25,800	4.1	48	⁴ 50
		230	8.3	28,200	4.1	50	⁴ 50
		240	9.0	30,700	4.1	52	60

NOTE - Circuit 1 Minimum Circuit Ampacity includes the Blower Motor Full Load Amps.

¹ 1 Electric heater capacity only - does not include additional blower motor heat capacity.

² 2 Amps shown are for blower motor only.

³ 3 Refer to National or Canadian Electrical Code manual to determine wire, fuse and disconnect size requirements. Use wires suitable for at least 167°F.

⁴ 4 Bold text indicates that the circuit breaker on "CB" circuit breaker models must be replaced with size noted. See Table on Page 12.

⁵ 5 HACR type circuit breaker or fuse.

ELECTRIC HEAT DATA

CBK47UHET-030 | SINGLE PHASE

kW	Electric Heat Model Number	No. of Stages	Input			² Blower Motor Full Load Amps	³ Minimum Circuit Ampacity		⁵ Maximum Overcurrent Protection		Single Point Power Source	
			Volts	kW	¹ Btuh		Ckt 1	Ckt 2	Ckt 1	Ckt 2	³ Minimum Circuit Ampacity	⁵ Maximum Overcurrent Protection
4 kW 4 lbs.	ECB47-4 (27A30) Terminal Block ECB47-4CB (27A29) 30A Circuit breaker	1	208	3.0	10,250	4.1	23	---	4 25	---	---	---
			220	3.4	11,450	4.1	24	---	4 25	---	---	---
			230	3.7	12,550	4.1	25	---	4 25	---	---	---
			240	4.0	13,650	4.1	26	---	30	---	---	---
5 kW 4 lbs.	ECB47-5 (27A31) Terminal Block ECB47-5CB (27A24) 35A Circuit breaker	1	208	3.8	12,800	4.1	28	---	4 30	---	---	---
			220	4.2	14,300	4.1	29	---	4 30	---	---	---
			230	4.6	15,700	4.1	30	---	4 30	---	---	---
			240	5.0	17,100	4.1	31	---	35	---	---	---
6 kW 4 lbs.	ECB47-6 (27A26) Terminal Block ECB47-6CB (27A25) 40A Circuit breaker	1	208	4.5	15,400	4.1	32	---	4 35	---	---	---
			220	5.0	17,100	4.1	34	---	4 35	---	---	---
			230	5.5	18,800	4.1	35	---	4 35	---	---	---
			240	6.0	20,500	4.1	36	---	40	---	---	---
8 kW 5 lbs.	ECB47-8 (27A21) Terminal Block ECB47-8CB (27A32) 50A Circuit breaker	1	208	6.0	20,500	4.1	41	---	4 45	---	---	---
			220	6.7	22,900	4.1	43	---	4 45	---	---	---
			230	7.3	25,100	4.1	45	---	4 45	---	---	---
			240	8.0	27,300	4.1	47	---	50	---	---	---
9 kW 5 lbs.	ECB47-9 (27A22) Terminal Block ECB47-9CB (27A27) 60A Circuit breaker	2	208	6.8	23,100	4.1	46	---	4 50	---	---	---
			220	7.6	25,800	4.1	48	---	4 50	---	---	---
			230	8.3	28,200	4.1	50	---	4 50	---	---	---
			240	9.0	30,700	4.1	52	---	60	---	---	---
12.5 kW 10 lbs.	ECB47-12.5CB (27A28) (1) 30A Circuit breaker & (1) 45A Circuit breaker	2	208	9.4	32,000	4.1	24	38	4 25	4 40	62	70
			220	10.5	35,800	4.1	25	40	4 25	4 40	65	70
			230	11.5	39,200	4.1	26	42	30	45	68	70
			240	12.5	42,600	4.1	27	43	30	45	70	70
15 kW 12 lbs.	ECB47-15CB (27A23) (1) 35A Circuit breaker & (1) 60A Circuit Breaker	2	208	11.3	38,400	4.1	28	45	4 30	4 45	73	80
			220	12.6	43,000	4.1	29	48	4 30	4 50	77	80
			230	13.8	47,000	4.1	30	50	4 30	4 50	80	80
			240	15.0	51,200	4.1	31	52	35	60	83	90

ELECTRIC HEAT DATA

CBK47UHET-030 | THREE PHASE

kW	Electric Heat Model Number	No. of Stages	Input			² Blower Motor Full Load Amps	³ Minimum Circuit Ampacity		⁵ Maximum Overcurrent Protection		Single Point Power Source	
			Volts	kW	¹ Btuh		Ckt 1	Ckt 2	Ckt 1	Ckt 2	³ Minimum Circuit Ampacity	⁵ Maximum Overcurrent Protection
8 kW 5 lbs.	ECB47-8 (27A44) Terminal Block	1	208	6.0	20,500	4.1	26	---	30	---	---	---
			220	6.7	22,900	4.1	27	---	30	---	---	---
			230	7.3	25,100	4.1	28	---	30	---	---	---
			240	8.0	27,300	4.1	29	---	30	---	---	---
10 kW 6 lbs.	ECB47-10 (27A35) Terminal Block	1	208	7.5	25,600	4.1	31	---	35	---	---	---
			220	8.4	28,700	4.1	33	---	35	---	---	---
			230	9.2	31,400	4.1	34	---	35	---	---	---
			240	10.0	34,100	4.1	35	---	35	---	---	---
15 kW 12 lbs.	ECB47-15CB (27A36) (1) 50A Circuit breaker	1	208	11.3	38,400	4.1	44	---	45	---	---	---
			220	12.6	43,000	4.1	46	---	50	---	---	---
			230	13.5	47,000	4.1	48	---	50	---	---	---
			240	15.0	51,200	4.1	50	---	50	---	---	---

NOTE - Circuit 1 Minimum Circuit Ampacity includes the Blower Motor Full Load Amps.

¹ Electric heater capacity only - does not include additional blower motor heat capacity.

² Amps shown are for blower motor only.

³ Refer to National or Canadian Electrical Code manual to determine wire, fuse and disconnect size requirements. Use wires suitable for at least 167°F.

⁴ **Bold text indicates that the circuit breaker on "CB" circuit breaker models must be replaced with size noted. See Table on Page 12.**

⁵ HACR type circuit breaker or fuse.

ELECTRIC HEAT DATA

CBK47UHET-036 | SINGLE PHASE

Electric Heat Model Number	No. of Stages	Input			² Blower Motor Full Load Amps	³ Minimum Circuit Ampacity		⁵ Maximum Overcurrent Protection		Single Point Power Source	
		Volts	kW	¹ Btuh		Ckt 1	Ckt 2	Ckt 1	Ckt 2	³ Minimum Circuit Ampacity	⁵ Maximum Overcurrent Protection
4 kW 4 lbs. ECB47-4 (27A30) Terminal Block ECB47-4CB (27A29) 30A Circuit breaker	1	208	3.0	10,250	4.1	23	---	425	---	---	---
		220	3.4	11,450	4.1	24	---	425	---	---	---
		230	3.7	12,550	4.1	25	---	425	---	---	---
		240	4.0	13,650	4.1	26	---	30	---	---	---
5 kW 4 lbs. ECB47-5 (27A31) Terminal Block ECB47-5CB (27A24) 35A Circuit breaker	1	208	3.8	12,800	4.1	28	---	430	---	---	---
		220	4.2	14,300	4.1	29	---	430	---	---	---
		230	4.6	15,700	4.1	30	---	430	---	---	---
		240	5.0	17,100	4.1	31	---	35	---	---	---
6 kW 4 lbs. ECB47-6 (27A26) Terminal Block ECB47-6CB (27A25) 40A Circuit breaker	1	208	4.5	15,400	4.1	32	---	435	---	---	---
		220	5.0	17,100	4.1	34	---	435	---	---	---
		230	5.5	18,800	4.1	35	---	435	---	---	---
		240	6.0	20,500	4.1	36	---	40	---	---	---
8 kW 5 lbs. ECB47-8 (27A21) Terminal Block ECB47-8CB (27A32) 50A Circuit breaker	1	208	6.0	20,500	4.1	41	---	445	---	---	---
		220	6.7	22,900	4.1	43	---	445	---	---	---
		230	7.3	25,100	4.1	45	---	445	---	---	---
		240	8.0	27,300	4.1	47	---	50	---	---	---
9 kW 5 lbs. ECB47-9 (27A22) Terminal Block ECB47-9CB (27A27) 60A Circuit breaker	2	208	6.8	23,100	4.1	46	---	450	---	---	---
		220	7.6	25,800	4.1	48	---	450	---	---	---
		230	8.3	28,200	4.1	50	---	450	---	---	---
		240	9.0	30,700	4.1	52	---	60	---	---	---
12.5 kW 10 lbs. ECB47-12.5CB (27A28) (1) 30A Circuit breaker and (1) 45A Circuit breaker	2	208	9.4	32,000	4.1	24	38	425	440	62	70
		220	10.5	35,800	4.1	25	40	425	440	65	70
		230	11.5	39,200	4.1	26	42	30	45	68	70
		240	12.5	42,600	4.1	27	43	30	45	70	70
15 kW 12 lbs. ECB47-15CB (27A23) (1) 35A Circuit breaker and (1) 60A Circuit Breaker	2	208	11.3	38,400	4.1	28	45	430	445	73	80
		220	12.6	43,000	4.1	29	48	430	450	77	80
		230	13.8	47,000	4.1	30	50	430	450	80	80
		240	15.0	51,200	4.1	31	52	35	60	83	90
20 kW 19 lbs. ECB47-20CB (27A33) (1) 60A Circuit breaker and (1) 60A Circuit Breaker	2	208	15.0	51,200	4.1	46	50	450	450	95	100
		220	16.8	57,300	4.1	48	53	450	60	101	110
		230	18.4	62,700	4.1	50	55	450	60	105	110
		240	20.0	68,200	4.1	52	57	60	60	109	110

NOTE - Circuit 1 Minimum Circuit Ampacity includes the Blower Motor Full Load Amps.

¹ Electric heater capacity only - does not include additional blower motor heat capacity.

² Amps shown are for blower motor only.

³ Refer to National or Canadian Electrical Code manual to determine wire, fuse and disconnect size requirements. Use wires suitable for at least 167°F.

⁴ **Bold text indicates that the circuit breaker on "CB" circuit breaker models must be replaced with size noted. See Table on Page 12.**

⁵ HACR type circuit breaker or fuse.

ELECTRIC HEAT DATA

CBK47UHET-036 | THREE PHASE

Electric Heat Model Number	No. of Stages	Input			² Blower Motor Full Load Amps	³ Minimum Circuit Ampacity		⁵ Maximum Overcurrent Protection		Single Point Power Source	
		Volts	kW	¹ Btuh		Ckt 1	Ckt 2	Ckt 1	Ckt 2	³ Minimum Circuit Ampacity	⁵ Maximum Overcurrent Protection
8 kW 5 lbs. ECB47-8 (27A44) Terminal Block	1	208	6.0	20,500	4.1	26	---	30	---	---	---
		220	6.7	22,900	4.1	27	---	30	---	---	---
		230	7.3	25,100	4.1	28	---	30	---	---	---
		240	8.0	27,300	4.1	29	---	30	---	---	---
10 kW 6 lbs. ECB47-10 (27A35) Terminal Block	1	208	7.5	25,600	4.1	31	---	35	---	---	---
		220	8.4	28,700	4.1	33	---	35	---	---	---
		230	9.2	31,400	4.1	34	---	35	---	---	---
		240	10.0	34,100	4.1	35	---	35	---	---	---
ECB47-10 (27A38) (3) 20A Fuses	1	440	8.4	28,700	2.1	16	---	20	---	---	---
		460	9.2	31,400	2.1	17	---	20	---	---	---
		480	10.0	34,100	2.1	18	---	20	---	---	---
15 kW 12 lbs. ECB47-15CB (27A36) (1) 50A Circuit breaker	1	208	11.3	38,400	4.1	44	---	45	---	---	---
		220	12.6	43,000	4.1	46	---	50	---	---	---
		230	13.5	47,000	4.1	48	---	50	---	---	---
		240	15.0	51,200	4.1	50	---	50	---	---	---
ECB47-15 (27A39) (3) 25A Fuses	1	440	12.6	43,000	2.1	23	---	25	---	---	---
		460	13.5	47,000	2.1	24	---	25	---	---	---
		480	15.0	51,200	2.1	25	---	25	---	---	---
20 kW 19 lbs. ECB47-20CB (27A37) (2) 35A Circuit breaker	2	208	15.0	51,200	4.1	31	26	35	430	57	60
		220	16.8	57,300	4.1	33	28	35	430	60	60
		230	18.4	62,700	4.1	34	29	35	430	63	70
		240	20.0	68,200	4.1	35	30	35	430	65	70

NOTE - Circuit 1 Minimum Circuit Ampacity includes the Blower Motor Full Load Amps.

¹ Electric heater capacity only - does not include additional blower motor heat capacity.

² Amps shown are for blower motor only.

³ Refer to National or Canadian Electrical Code manual to determine wire, fuse and disconnect size requirements. Use wires suitable for at least 167°F.

⁴ **Bold text indicates that the circuit breaker on "CB" circuit breaker models must be replaced with size noted. See Table on Page 12.**

⁵ HACR type circuit breaker or fuse.

ELECTRIC HEAT DATA

CBK47UHET-042 | SINGLE PHASE

Electric Heat Model Number	No. of Stages	Input			² Blower Motor Full Load Amps	³ Minimum Circuit Ampacity			⁵ Maximum Overcurrent Protection			Single Point Power Source	
		Volts	kW	¹ Btuh		Ckt 1	Ckt 2	Ckt 3	Ckt 1	Ckt 2	Ckt 3	³ Minimum Circuit Ampacity	⁵ Maximum Overcurrent Protection
4 kW 4 lbs. ECB47-4 (27A30) Terminal Block ECB47-4CB (27A29) 30A Circuit breaker	1	208	3.0	10,250	7.6	28	---	---	30	---	---	---	---
		220	3.4	11,450	7.6	29	---	---	30	---	---	---	---
		230	3.7	12,550	7.6	29	---	---	30	---	---	---	---
		240	4.0	13,650	7.6	30	---	---	30	---	---	---	---
5 kW 4 lbs. ECB47-5 (27A31) Terminal Block ECB47-5CB (27A24) 35A Circuit breaker	1	208	3.8	12,800	7.6	32	---	---	35	---	---	---	---
		220	4.2	14,300	7.6	33	---	---	35	---	---	---	---
		230	4.6	15,700	7.6	34	---	---	35	---	---	---	---
		240	5.0	17,100	7.6	36	---	---	⁴ 40	---	---	---	---
6 kW 4 lbs. ECB47-6 (27A26) Terminal Block ECB47-6CB (27A25) 40A Circuit breaker	1	208	4.5	15,400	7.6	37	---	---	40	---	---	---	---
		220	5.0	17,100	7.6	38	---	---	40	---	---	---	---
		230	5.5	18,800	7.6	39	---	---	40	---	---	---	---
		240	6.0	20,500	7.6	41	---	---	⁴ 45	---	---	---	---
8 kW 5 lbs. ECB47-8 (27A21) Terminal Block ECB47-8CB (27A32) 50A Circuit breaker	1	208	6.0	20,500	7.6	46	---	---	50	---	---	---	---
		220	6.7	22,900	7.6	48	---	---	50	---	---	---	---
		230	7.3	25,100	7.6	49	---	---	50	---	---	---	---
		240	8.0	27,300	7.6	51	---	---	⁴ 60	---	---	---	---
9 kW 5 lbs. ECB47-9 (27A22) Terminal Block ECB47-9CB (27A27) 60A Circuit breaker	2	208	6.8	23,100	7.6	50	---	---	⁴ 50	---	---	---	---
		220	7.6	25,800	7.6	52	---	---	60	---	---	---	---
		230	8.3	28,200	7.6	54	---	---	60	---	---	---	---
		240	9.0	30,700	7.6	56	---	---	60	---	---	---	---
12.5 kW 10 lbs. ECB47-12.5CB (27A28) (1) 30A Circuit breaker and (1) 45A Circuit breaker	2	208	9.4	32,000	7.6	28	38	---	30	⁴ 40	---	66	70
		220	10.5	35,800	7.6	29	40	---	30	⁴ 40	---	69	70
		230	11.5	39,200	7.6	30	42	---	30	45	---	72	80
		240	12.5	42,600	7.6	31	43	---	⁴ 35	45	---	75	80
15 kW 12 lbs. ECB47-15CB (27A23) (1) 35A Circuit breaker and (1) 60A Circuit breaker	2	208	11.3	38,400	7.6	32	45	---	35	⁴ 45	---	77	80
		220	12.6	43,000	7.6	33	48	---	35	⁴ 50	---	81	90
		230	13.5	47,000	7.6	34	50	---	35	⁴ 50	---	84	90
		240	15.0	51,200	7.6	36	52	---	⁴ 40	60	---	88	90
20 kW 19 lbs. ECB47-20CB (27A33) (1) 60A Circuit breaker and (1) 60A Circuit breaker	2	208	15.0	51,200	7.6	50	50	---	⁴ 50	⁴ 50	---	100	100
		220	16.8	57,300	7.6	52	53	---	60	60	---	105	110
		230	18.4	62,700	7.6	54	55	---	60	60	---	109	110
		240	20.0	68,200	7.6	56	57	---	60	60	---	114	125
25 kW 19 lbs. ECB47-25CB (27A34) (1) 60A Circuit breaker and (2) 45A Circuit breakers	3	208	18.8	64,100	7.6	47	38	38	⁴ 50	⁴ 40	⁴ 40	122	125
		220	21.0	71,700	7.6	49	40	40	⁴ 50	⁴ 40	⁴ 40	129	150
		230	23.0	78,300	7.6	51	42	42	60	45	45	134	150
		240	25.0	85,300	7.6	53	43	43	60	45	45	140	150

NOTE - Circuit 1 Minimum Circuit Ampacity includes the Blower Motor Full Load Amps.

¹ Electric heater capacity only - does not include additional blower motor heat capacity.

² Amps shown are for blower motor only.

³ Refer to National or Canadian Electrical Code manual to determine wire, fuse and disconnect size requirements. Use wires suitable for at least 167°F.

⁴ Bold text indicates that the circuit breaker on "CB" circuit breaker models must be replaced with size noted. See Table on Page 12.

⁵ HACR type circuit breaker or fuse.

ELECTRIC HEAT DATA

CBK47UHET-042 | THREE PHASE

Electric Heat Model Number	No. of Stages	Input			² Blower Motor Full Load Amps	³ Minimum Circuit Ampacity		⁵ Maximum Overcurrent Protection		Single Point Power Source	
		Volts	kW	¹ Btuh		Ckt 1	Ckt 2	Ckt 1	Ckt 2	³ Minimum Circuit Ampacity	⁵ Maximum Overcurrent Protection
8 kW 5 lbs. ECB47-8 (27A44) Terminal block	1	208	6.0	20,500	7.6	30	---	30	---	---	---
		220	6.7	22,900	7.6	32	---	35	---	---	---
		230	7.3	25,100	7.6	33	---	35	---	---	---
		240	8.0	27,300	7.6	34	---	35	---	---	---
10 kW 6 lbs. ECB47-10 (27A35) Terminal Block	1	208	7.5	25,600	7.6	36	---	40	---	---	---
		220	8.4	28,700	7.6	37	---	40	---	---	---
		230	9.2	31,400	7.6	38	---	40	---	---	---
		240	10.0	34,100	7.6	40	---	40	---	---	---
15 kW 12 lbs. ECB47-15CB (27A36) 50A Circuit breaker	1	208	11.3	38,400	7.6	49	---	50	---	---	---
		220	12.6	43,000	7.6	51	---	40	---	---	---
		230	13.5	47,000	7.6	53	---	40	---	---	---
		240	15.0	51,200	7.6	55	---	40	---	---	---
20 kW 19 lbs. ECB47-20CB (27A37) (2) 35A Circuit breaker	2	208	15.0	51,200	7.6	36	26	40	30	62	70
		220	16.8	57,300	7.6	37	28	40	30	65	70
		230	18.4	62,700	7.6	38	29	40	30	67	70
		240	20.0	68,200	7.6	40	30	40	30	70	70
25 kW 19 lbs. ECB47-25CB (27A45) (2) 45A Circuit breaker	2	208	18.8	64,100	7.6	42	33	45	35	75	80
		220	21.0	71,700	7.6	44	34	45	35	78	80
		230	23.0	78,300	7.6	46	36	50	40	82	90
		240	25.0	85,300	7.6	47	38	50	40	85	90

NOTE - Circuit 1 Minimum Circuit Ampacity includes the Blower Motor Full Load Amps.

¹ Electric heater capacity only - does not include additional blower motor heat capacity.

² Amps shown are for blower motor only.

³ Refer to National or Canadian Electrical Code manual to determine wire, fuse and disconnect size requirements. Use wires suitable for at least 167°F.

⁴ **Bold text indicates that the circuit breaker on "CB" circuit breaker models must be replaced with size noted. See Table on Page 12.**

⁵ HACR type circuit breaker or fuse.

ELECTRIC HEAT DATA

CBK47UHET-048 | SINGLE PHASE

Electric Heat Model Number	No. of Stages	Input			² Blower Motor Full Load Amps	³ Minimum Circuit Ampacity			⁵ Maximum Overcurrent Protection			Single Point Power Source	
		Volts	kW	¹ Btuh		Ckt 1	Ckt 2	Ckt 3	Ckt 1	Ckt 2	Ckt 3	³ Minimum Circuit Ampacity	⁵ Maximum Overcurrent Protection
4 kW 4 lbs. ECB47-4 (27A30) Terminal Block ECB47-4CB (27A29) 30A Circuit breaker	1	208	3.0	10,250	7.6	28	---	---	30	---	---	---	---
		220	3.4	11,450	7.6	29	---	---	30	---	---	---	---
		230	3.7	12,550	7.6	29	---	---	30	---	---	---	---
		240	4.0	13,650	7.6	30	---	---	30	---	---	---	---
5 kW 4 lbs. ECB47-5 (27A31) Terminal Block ECB47-5CB (27A24) 35A Circuit breaker	1	208	3.8	12,800	7.6	32	---	---	35	---	---	---	---
		220	4.2	14,300	7.6	33	---	---	35	---	---	---	---
		230	4.6	15,700	7.6	34	---	---	35	---	---	---	---
		240	5.0	17,100	7.6	36	---	---	4 40	---	---	---	---
6 kW 4 lbs. ECB47-6 (27A26) Terminal Block ECB47-6CB (27A25) 40A Circuit breaker	1	208	4.5	15,400	7.6	37	---	---	40	---	---	---	---
		220	5.0	17,100	7.6	38	---	---	40	---	---	---	---
		230	5.5	18,800	7.6	39	---	---	40	---	---	---	---
		240	6.0	20,500	7.6	41	---	---	4 45	---	---	---	---
8 kW 5 lbs. ECB47-8 (27A21) Terminal Block ECB47-8CB (27A32) 50A Circuit breaker	1	208	6.0	20,500	7.6	46	---	---	50	---	---	---	---
		220	6.7	22,900	7.6	48	---	---	50	---	---	---	---
		230	7.3	25,100	7.6	49	---	---	50	---	---	---	---
		240	8.0	27,300	7.6	51	---	---	4 60	---	---	---	---
9 kW 5 lbs. ECB47-9 (27A22) Terminal Block ECB47-9CB (27A27) 60A Circuit breaker	2	208	6.8	23,100	7.6	50	---	---	4 50	---	---	---	---
		220	7.6	25,800	7.6	52	---	---	60	---	---	---	---
		230	8.3	28,200	7.6	54	---	---	60	---	---	---	---
		240	9.0	30,700	7.6	56	---	---	60	---	---	---	---
12.5 kW 10 lbs. ECB47-12.5CB (27A28) (1) 30A Circuit breaker & (1) 45A Circuit breaker	2	208	9.4	32,000	7.6	28	38	---	30	4 40	---	66	70
		220	10.5	35,800	7.6	29	40	---	30	4 40	---	69	70
		230	11.5	39,200	7.6	30	42	---	30	45	---	72	80
		240	12.5	42,600	7.6	31	43	---	4 35	45	---	75	80
15 kW 12 lbs. ECB47-15CB (27A23) (1) 35A Circuit breaker & (1) 60A Circuit breaker	2	208	11.3	38,400	7.6	32	45	---	35	4 45	---	77	80
		220	12.6	43,000	7.6	33	48	---	35	4 50	---	81	90
		230	13.5	47,000	7.6	34	50	---	35	4 50	---	84	90
		240	15.0	51,200	7.6	36	52	---	4 40	60	---	88	90
20 kW 19 lbs. ECB47-20CB (27A33) (1) 60A Circuit breaker & (1) 60A Circuit breaker	2	208	15.0	51,200	7.6	50	50	---	4 50	4 50	---	100	100
		220	16.8	57,300	7.6	52	53	---	60	60	---	105	110
		230	18.4	62,700	7.6	54	55	---	60	60	---	109	110
		240	20.0	68,200	7.6	56	57	---	60	60	---	114	125
25 kW 19 lbs. ECB47-25CB (27A34) (1) 60A Circuit breaker & (2) 45A Circuit breakers	3	208	18.8	64,100	7.6	47	38	38	4 50	4 40	4 40	122	125
		220	21.0	71,700	7.6	49	40	40	4 50	4 40	4 40	129	150
		230	23.0	78,300	7.6	51	42	42	60	45	45	134	150
		240	25.0	85,300	7.6	53	43	43	60	45	45	140	150

NOTE - Circuit 1 Minimum Circuit Ampacity includes the Blower Motor Full Load Amps.

¹ Electric heater capacity only - does not include additional blower motor heat capacity.

² Amps shown are for blower motor only.

³ Refer to National or Canadian Electrical Code manual to determine wire, fuse and disconnect size requirements. Use wires suitable for at least 167°F.

⁴ Bold text indicates that the circuit breaker on "CB" circuit breaker models must be replaced with size noted. See Table on Page 12.

⁵ HACR type circuit breaker or fuse.

ELECTRIC HEAT DATA

CBK47UHET-048 | THREE PHASE

Electric Heat Model Number	No. of Stages	Input			² Blower Motor Full Load Amps	³ Minimum Circuit Ampacity		⁵ Maximum Overcurrent Protection		Single Point Power Source	
		Volts	kW	¹ Btuh		Ckt 1	Ckt 2	Ckt 1	Ckt 2	³ Minimum Circuit Ampacity	⁵ Maximum Overcurrent Protection
8 kW 5 lbs. ECB47-8 (27A44) Terminal block	1	208	6.0	20,500	7.6	30	---	30	---	---	---
		220	6.7	22,900	7.6	32	---	35	---	---	---
		230	7.3	25,100	7.6	33	---	35	---	---	---
		240	8.0	27,300	7.6	34	---	35	---	---	---
10 kW 6 lbs. ECB47-10 (27A35) Terminal Block	1	208	7.5	25,600	7.6	36	---	40	---	---	---
		220	8.4	28,700	7.6	37	---	40	---	---	---
		230	9.2	31,400	7.6	38	---	40	---	---	---
		240	10.0	34,100	7.6	40	---	40	---	---	---
ECB47-10 (27A38) (3) 20A Fuses	1	440	8.4	28,700	3.5	18	---	20	---	---	---
		460	9.2	31,400	3.5	19	---	20	---	---	---
		480	10.0	34,100	3.5	19	---	20	---	---	---
15 kW 12 lbs. ECB47-15CB (27A36) 50A Circuit breaker	1	208	11.3	38,400	7.6	49	---	50	---	---	---
		220	12.6	43,000	7.6	51	---	460	---	---	---
		230	13.5	47,000	7.6	53	---	460	---	---	---
		240	15.0	51,200	7.6	55	---	460	---	---	---
ECB47-15 (27A39) (3) 25A Fuses	1	440	12.6	43,000	3.5	25	---	25	---	---	---
		460	13.5	47,000	3.5	26	---	30	---	---	---
		480	15.0	51,200	3.5	27	---	30	---	---	---
20 kW 19 lbs. ECB47-20CB (27A37) (2) 35A Circuit breaker	2	208	15.0	51,200	7.6	36	26	440	430	62	70
		220	16.8	57,300	7.6	37	28	440	430	65	70
		230	18.4	62,700	7.6	38	29	440	430	67	70
		240	20.0	68,200	7.6	40	30	440	430	70	70
ECB47-20 (27A40) (3) 35A Fuses	1	440	16.8	57,300	3.5	32	---	35	---	---	---
		460	18.4	62,700	3.5	33	---	35	---	---	---
		480	20.0	68,200	3.5	34	---	35	---	---	---
⁶ ECB47-20 (27A43) (3) 25A Fuses	1	550	16.8	57,300	3.5	26	---	30	---	---	---
		575	18.4	62,700	3.5	27	---	30	---	---	---
		600	20.0	68,200	3.5	28	---	30	---	---	---
25 kW 19 lbs. ECB47-25CB (27A45) (2) 45A Circuit breaker	2	208	18.8	64,100	7.6	42	33	45	435	75	80
		220	21.0	71,700	7.6	44	34	45	435	78	80
		230	23.0	78,300	7.6	46	36	450	440	82	90
		240	25.0	85,300	7.6	47	38	450	440	85	90
ECB47-25 (27A42) (3) 40A Fuses	1	440	21.0	71,700	3.5	39	---	40	---	---	---
		460	23.0	78,300	3.5	40	---	40	---	---	---
		480	25.0	85,300	3.5	42	---	45	---	---	---
⁶ ECB47-25 (27A41) (3) 35A Fuses	1	550	21.0	71,700	3.5	32	---	35	---	---	---
		575	23.0	78,300	3.5	33	---	35	---	---	---
		600	25.0	85,300	3.5	34	---	35	---	---	---

NOTE - Circuit 1 Minimum Circuit Ampacity includes the Blower Motor Full Load Amps.

¹ Electric heater capacity only - does not include additional blower motor heat capacity.

² Amps shown are for blower motor only.

³ Refer to National or Canadian Electrical Code manual to determine wire, fuse and disconnect size requirements. Use wires suitable for at least 167°F.

⁴ Bold text indicates that the circuit breaker on "CB" circuit breaker models must be replaced with size noted. See Table on Page 12.

⁵ HACR type circuit breaker or fuse.

⁶ Blower motor is rated at 460V.

ELECTRIC HEAT DATA

CBK47UHET-060 | SINGLE PHASE

Electric Heat Model Number	No. of Stages	Input			² Blower Motor Full Load Amps	³ Minimum Circuit Ampacity			⁵ Maximum Overcurrent Protection			Single Point Power Source	
		Volts	kW	¹ Btuh		Ckt 1	Ckt 2	Ckt 3	Ckt 1	Ckt 2	Ckt 3	³ Minimum Circuit Ampacity	⁵ Maximum Overcurrent Protection
4 kW 4 lbs. ECB47-4 (27A30) Terminal Block ECB47-4CB (27A29) 30A Circuit breaker	1	208	3.0	10,250	7.6	28	---	---	30	---	---	---	---
		220	3.4	11,450	7.6	29	---	---	30	---	---	---	---
		230	3.7	12,550	7.6	29	---	---	30	---	---	---	---
		240	4.0	13,650	7.6	30	---	---	30	---	---	---	---
5 kW 4 lbs. ECB47-5 (27A31) Terminal Block ECB47-5CB (27A24) 35A Circuit breaker	1	208	3.8	12,800	7.6	32	---	---	35	---	---	---	---
		220	4.2	14,300	7.6	33	---	---	35	---	---	---	---
		230	4.6	15,700	7.6	34	---	---	35	---	---	---	---
		240	5.0	17,100	7.6	36	---	---	⁴ 40	---	---	---	---
6 kW 4 lbs. ECB47-6 (27A26) Terminal Block ECB47-6CB (27A25) 40A Circuit breaker	1	208	4.5	15,400	7.6	37	---	---	40	---	---	---	---
		220	5.0	17,100	7.6	38	---	---	40	---	---	---	---
		230	5.5	18,800	7.6	39	---	---	40	---	---	---	---
		240	6.0	20,500	7.6	41	---	---	⁴ 45	---	---	---	---
8 kW 5 lbs. ECB47-8 (27A21) Terminal Block ECB47-8CB (27A32) 50A Circuit breaker	1	208	6.0	20,500	7.6	46	---	---	50	---	---	---	---
		220	6.7	22,900	7.6	48	---	---	50	---	---	---	---
		230	7.3	25,100	7.6	49	---	---	50	---	---	---	---
		240	8.0	27,300	7.6	51	---	---	⁴ 60	---	---	---	---
9 kW 5 lbs. ECB47-9 (27A22) Terminal Block ECB47-9CB (27A27) 60A Circuit breaker	2	208	6.8	23,100	7.6	50	---	---	⁴ 50	---	---	---	---
		220	7.6	25,800	7.6	52	---	---	60	---	---	---	---
		230	8.3	28,200	7.6	54	---	---	60	---	---	---	---
		240	9.0	30,700	7.6	56	---	---	60	---	---	---	---
12.5 kW 10 lbs. ECB47-12.5CB (27A28) (1) 30A Circuit breaker & (1) 45A Circuit breaker	2	208	9.4	32,000	7.6	28	38	---	30	⁴ 40	---	66	70
		220	10.5	35,800	7.6	29	40	---	30	⁴ 40	---	69	70
		230	11.5	39,200	7.6	30	42	---	30	45	---	72	80
		240	12.5	42,600	7.6	31	43	---	⁴ 35	45	---	75	80
15 kW 12 lbs. ECB47-15CB (27A23) (1) 35A Circuit breaker & (1) 60A Circuit breaker	2	208	11.3	38,400	7.6	32	45	---	35	⁴ 45	---	77	80
		220	12.6	43,000	7.6	33	48	---	35	⁴ 50	---	81	90
		230	13.5	47,000	7.6	34	50	---	35	⁴ 50	---	84	90
		240	15.0	51,200	7.6	36	52	---	⁴ 40	60	---	88	90
20 kW 19 lbs. ECB47-20CB (27A33) (1) 60A Circuit breaker & (1) 60A Circuit breaker	2	208	15.0	51,200	7.6	50	50	---	⁴ 50	⁴ 50	---	100	100
		220	16.8	57,300	7.6	52	53	---	60	60	---	105	110
		230	18.4	62,700	7.6	54	55	---	60	60	---	109	110
		240	20.0	68,200	7.6	56	57	---	60	60	---	114	125
25 kW 19 lbs. ECB47-25CB (27A34) (1) 60A Circuit breaker & (2) 45A Circuit breakers	3	208	18.8	64,100	7.6	47	38	38	⁴ 50	⁴ 40	⁴ 40	122	125
		220	21.0	71,700	7.6	49	40	40	⁴ 50	⁴ 40	⁴ 40	129	150
		230	23.0	78,300	7.6	51	42	42	60	45	45	134	150
		240	25.0	85,300	7.6	53	43	43	60	45	45	140	150

NOTE - Circuit 1 Minimum Circuit Ampacity includes the Blower Motor Full Load Amps.

¹ Electric heater capacity only - does not include additional blower motor heat capacity.

² Amps shown are for blower motor only.

³ Refer to National or Canadian Electrical Code manual to determine wire, fuse and disconnect size requirements. Use wires suitable for at least 167°F.

⁴ Bold text indicates that the circuit breaker on "CB" circuit breaker models must be replaced with size noted. See Table on Page 12.

⁵ HACR type circuit breaker or fuse.

ELECTRIC HEAT DATA

CBK47UHET-060 | THREE PHASE

	Electric Heat Model Number	No. of Stages	Input			² Blower Motor Full Load Amps	³ Minimum Circuit Ampacity		⁵ Maximum Overcurrent Protection		Single Point Power Source	
			Volts	kW	¹ Btuh		Ckt 1	Ckt 2	Ckt 1	Ckt 2	³ Minimum Circuit Ampacity	⁵ Maximum Overcurrent Protection
8 kW 5 lbs.	ECB47-8 (27A44) Terminal block	1	208	6.0	20,500	7.6	30	---	30	---	---	---
			220	6.7	22,900	7.6	32	---	35	---	---	---
			230	7.3	25,100	7.6	33	---	35	---	---	---
			240	8.0	27,300	7.6	34	---	35	---	---	---
10 kW 6 lbs.	ECB47-10 (27A35) Terminal Block	1	208	7.5	25,600	7.6	36	---	40	---	---	---
			220	8.4	28,700	7.6	37	---	40	---	---	---
			230	9.2	31,400	7.6	38	---	40	---	---	---
			240	10.0	34,100	7.6	40	---	40	---	---	---
	ECB47-10 (27A38) (3) 20A Fuses	1	440	8.4	28,700	3.5	18	---	20	---	---	---
			460	9.2	31,400	3.5	19	---	20	---	---	---
			480	10.0	34,100	3.5	19	---	20	---	---	---
	15 kW 12 lbs.	ECB47-15CB (27A36) 50A Circuit breaker	1	208	11.3	38,400	7.6	49	---	50	---	---
220				12.6	43,000	7.6	51	---	460	---	---	---
230				13.5	47,000	7.6	53	---	460	---	---	---
240				15.0	51,200	7.6	55	---	460	---	---	---
ECB47-15 (27A39) (3) 25A Fuses		1	440	12.6	43,000	3.5	25	---	25	---	---	---
			460	13.5	47,000	3.5	26	---	30	---	---	---
			480	15.0	51,200	3.5	27	---	30	---	---	---
20 kW 19 lbs.		ECB47-20CB (27A37) (2) 35A Circuit breaker	2	208	15.0	51,200	7.6	36	26	440	430	62
	220			16.8	57,300	7.6	37	28	440	430	65	70
	230			18.4	62,700	7.6	38	29	440	430	67	70
	240			20.0	68,200	7.6	40	30	440	430	70	70
	ECB47-20 (27A40) (3) 35A Fuses	1	440	16.8	57,300	3.5	32	---	35	---	---	---
			460	18.4	62,700	3.5	33	---	35	---	---	---
			480	20.0	68,200	3.5	34	---	35	---	---	---
	⁶ ECB47-20 (27A43) (3) 25A Fuses	1	550	16.8	57,300	3.5	26	---	30	---	---	---
			575	18.4	62,700	3.5	27	---	30	---	---	---
			600	20.0	68,200	3.5	28	---	30	---	---	---
25 kW 19 lbs.	ECB47-25CB (27A45) (2) 45A Circuit breaker	2	208	18.8	64,100	7.6	42	33	45	435	75	80
			220	21.0	71,700	7.6	44	34	45	435	78	80
			230	23.0	78,300	7.6	46	36	450	440	82	90
			240	25.0	85,300	7.6	47	38	450	440	85	90
	ECB47-25 (27A42) (3) 40A Fuses	1	440	21.0	71,700	3.5	39	---	40	---	---	---
			460	23.0	78,300	3.5	40	---	40	---	---	---
			480	25.0	85,300	3.5	42	---	45	---	---	---
	⁶ ECB47-25 (27A41) (3) 35A Fuses	1	550	21.0	71,700	3.5	32	---	35	---	---	---
			575	23.0	78,300	3.5	33	---	35	---	---	---
			600	25.0	85,300	3.5	34	---	35	---	---	---

NOTE - Circuit 1 Minimum Circuit Ampacity includes the Blower Motor Full Load Amps.

¹ Electric heater capacity only - does not include additional blower motor heat capacity.

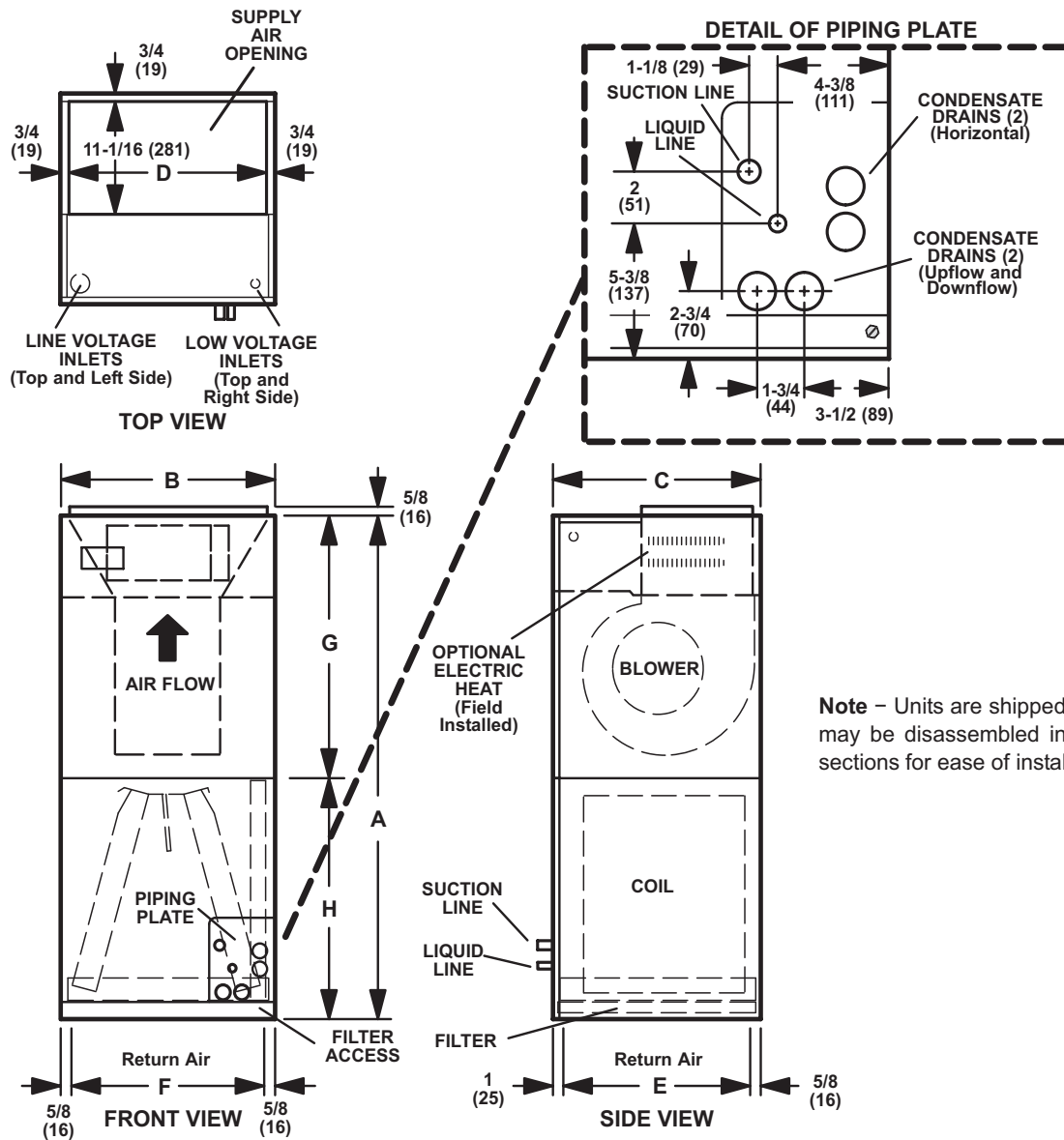
² Amps shown are for blower motor only.

³ Refer to National or Canadian Electrical Code manual to determine wire, fuse and disconnect size requirements. Use wires suitable for at least 167°F.

⁴ Bold text indicates that the circuit breaker on "CB" circuit breaker models must be replaced with size noted. See Table on Page 12.

⁵ HACR type circuit breaker or fuse.

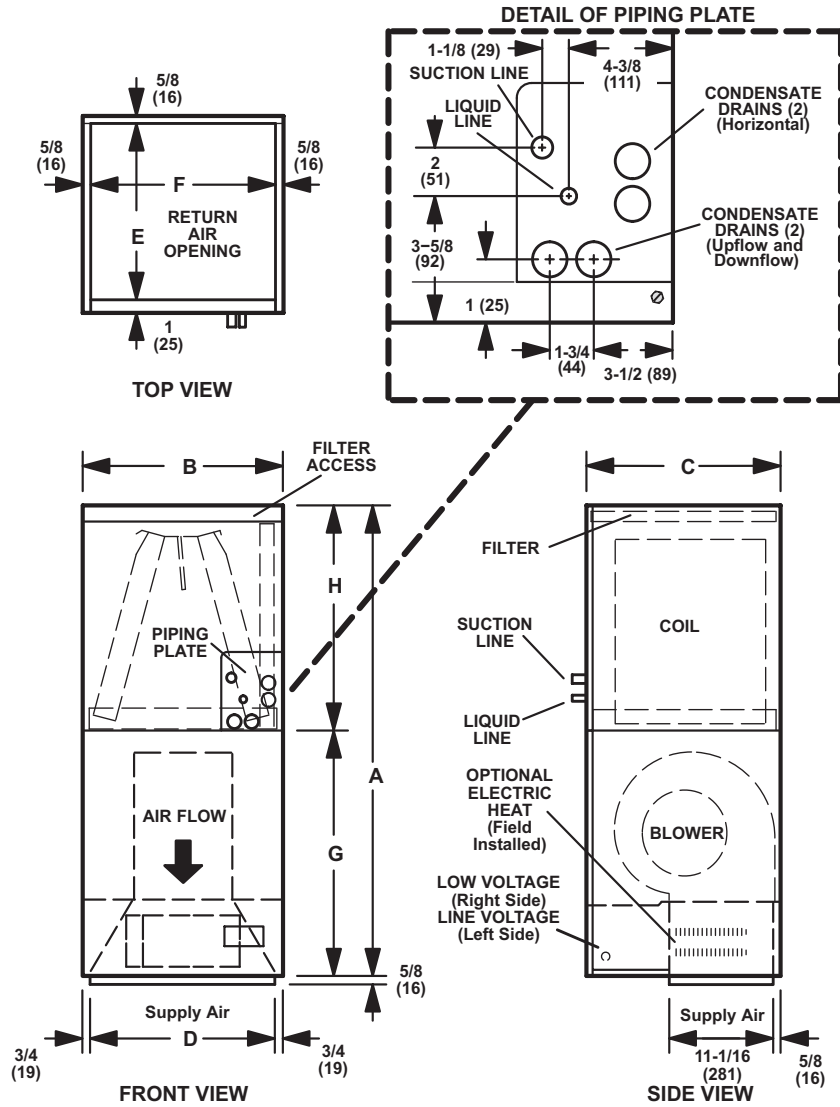
⁶ Blower motor is rated at 460V.



Note – Units are shipped in one piece but may be disassembled into two separate sections for ease of installation.

Dimensions	018, 024		030, 036		042, 048		060	
	in.	mm	in.	mm	in.	mm	in.	mm
A	49-1/4	1251	51	1295	58-1/2	1486	62-1/2	1588
B	21-1/4	540	21-1/4	540	21-1/4	540	21-1/4	540
C	20-5/8	524	22-5/8	575	24-5/8	625	24-5/8	625
D	19-3/4	502	19-3/4	502	19-3/4	502	19-3/4	502
E	19	483	21	533	23	584	23	584
F	20	508	20	508	20	508	20	508
G	24-5/8	625	26-3/8	670	27-7/8	708	27-7/8	708
H	24-5/8	625	24-5/8	625	30-5/8	778	34-5/8	879

NOTE - Optional Downflow Conversion Kit Required

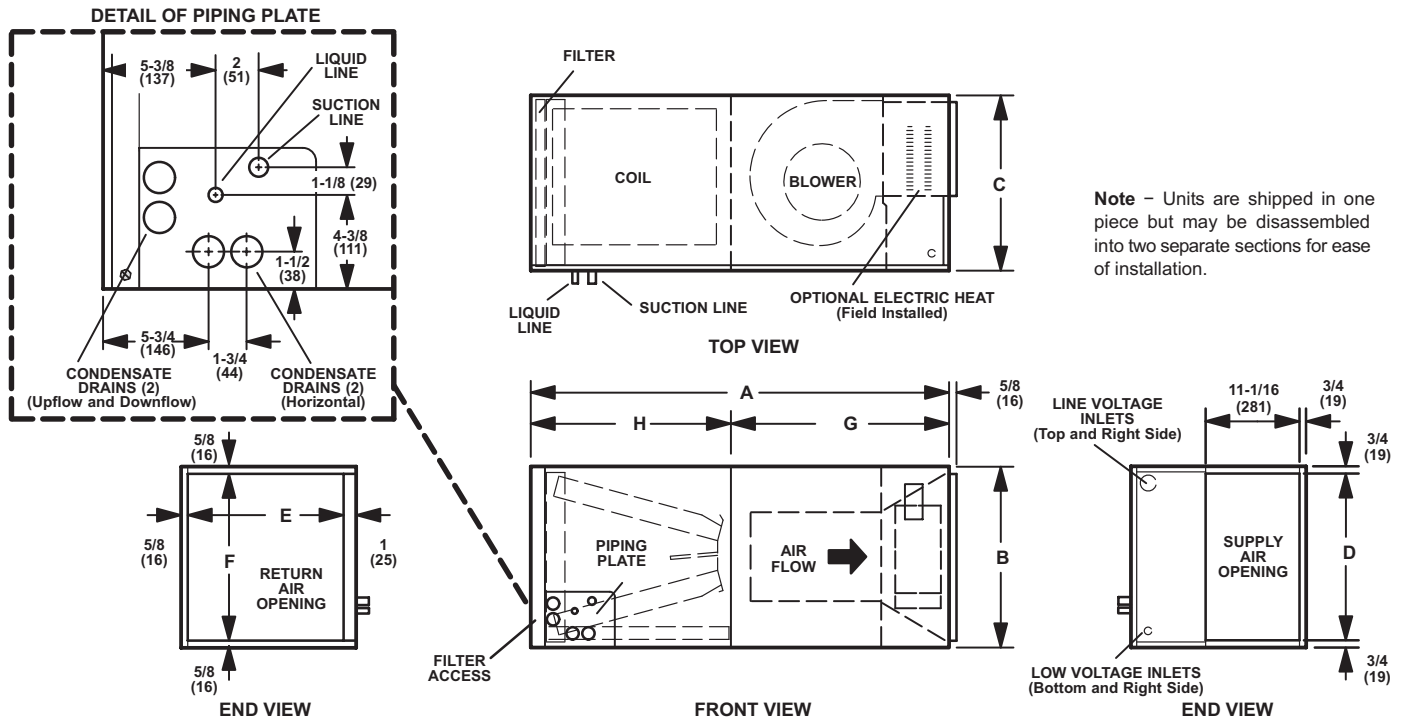


Note – Units are shipped in one piece but may be disassembled into two separate sections for ease of installation.

Dimensions	018, 024		030, 036		042, 048		060	
	in.	mm	in.	mm	in.	mm	in.	mm
A	49-1/4	1251	51	1295	58-1/2	1486	62-1/2	1588
B	21-1/4	540	21-1/4	540	21-1/4	540	21-1/4	540
C	20-5/8	524	22-5/8	575	24-5/8	625	24-5/8	625
D	19-3/4	502	19-3/4	502	19-3/4	502	19-3/4	502
E	19	483	21	533	23	584	23	584
F	20	508	20	508	20	508	20	508
G	24-5/8	625	26-3/8	670	27-7/8	708	27-7/8	708
H	24-5/8	625	24-5/8	625	30-5/8	778	34-5/8	879

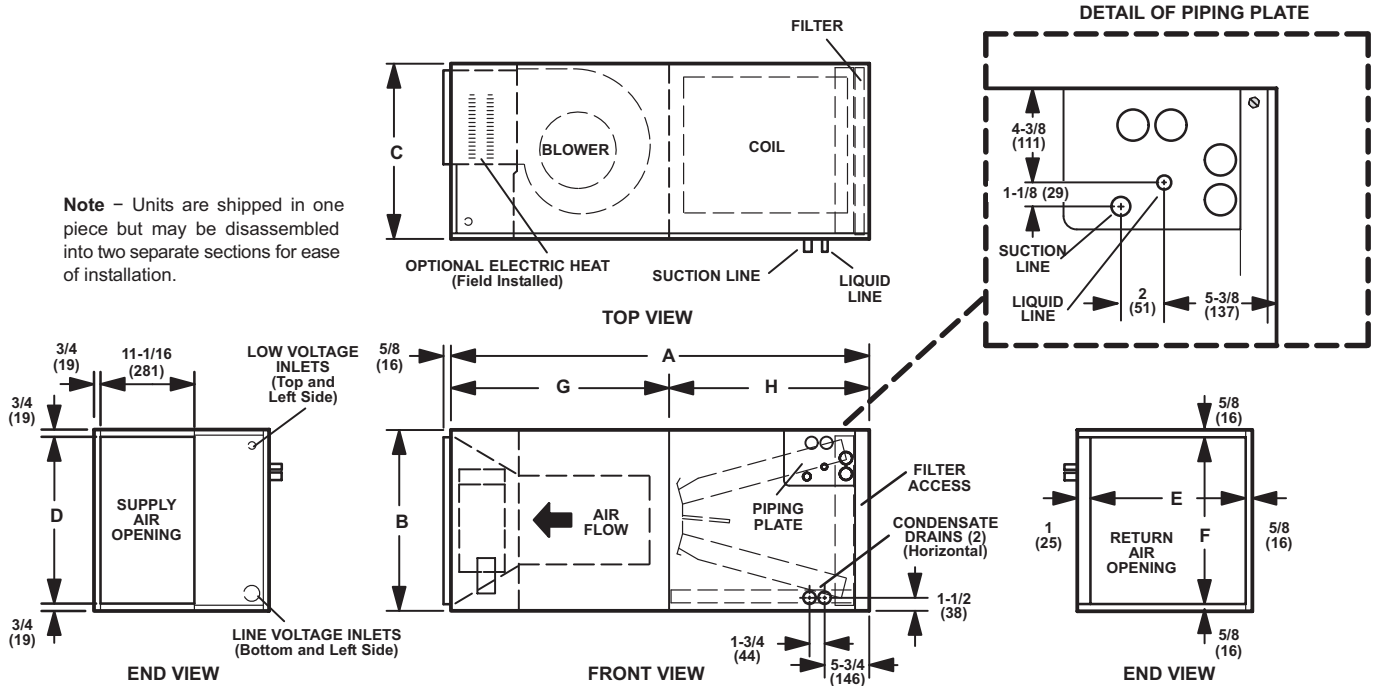
DIMENSIONS

UNIT - HORIZONTAL RIGHT-HAND POSITION



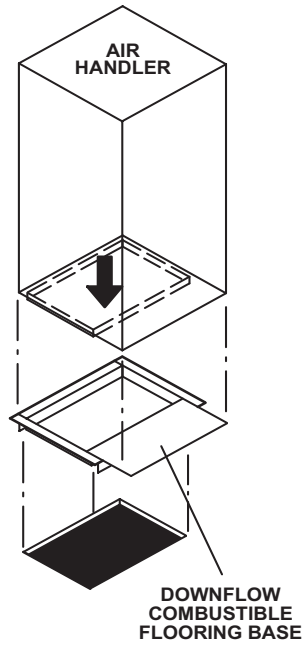
DIMENSIONS - UNIT

HORIZONTAL LEFT-HAND POSITION

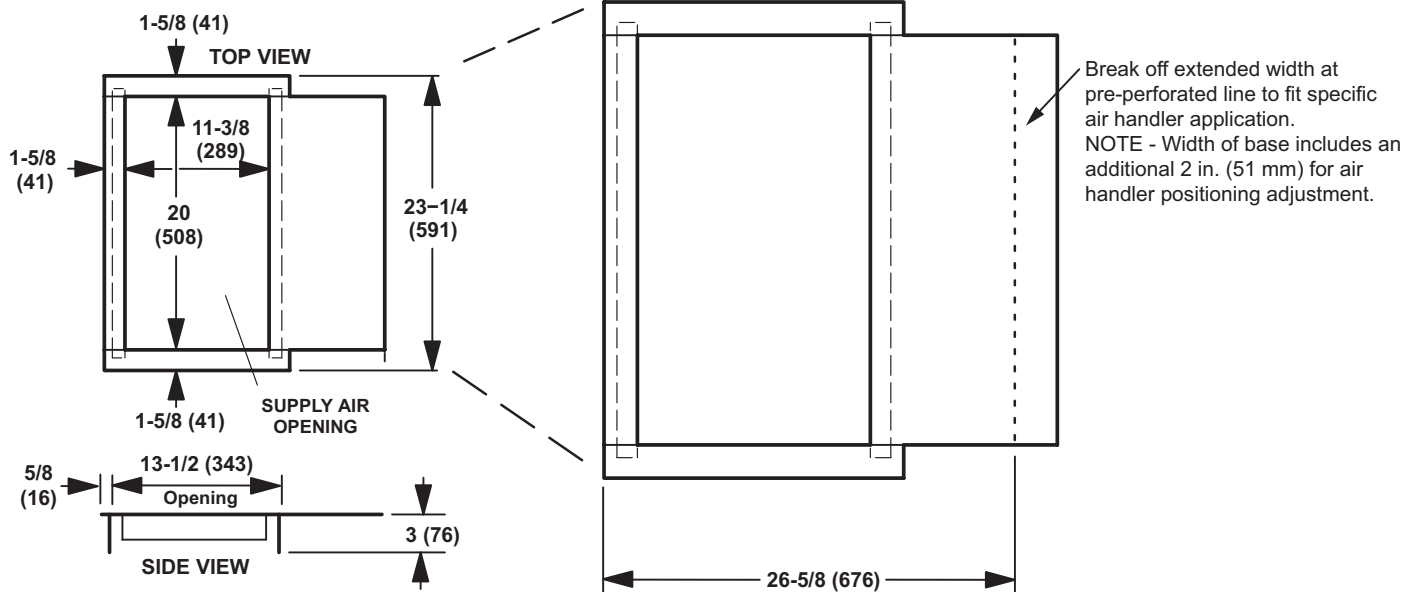


Dimensions	018, 024		030, 036		042, 048		060	
	in.	mm	in.	mm	in.	mm	in.	mm
A	49-1/4	1251	51	1295	58-1/2	1486	62-1/2	1588
B	21-1/4	540	21-1/4	540	21-1/4	540	21-1/4	540
C	20-5/8	524	22-5/8	575	24-5/8	625	24-5/8	625
D	19-3/4	502	19-3/4	502	19-3/4	502	19-3/4	502
E	19	483	21	533	23	584	23	584
F	20	508	20	508	20	508	20	508
G	24-5/8	625	26-3/8	670	27-7/8	708	27-7/8	708
H	24-5/8	625	24-5/8	625	30-5/8	778	34-5/8	879

DOWNFLOW COMBUSTIBLE FLOORING BASE

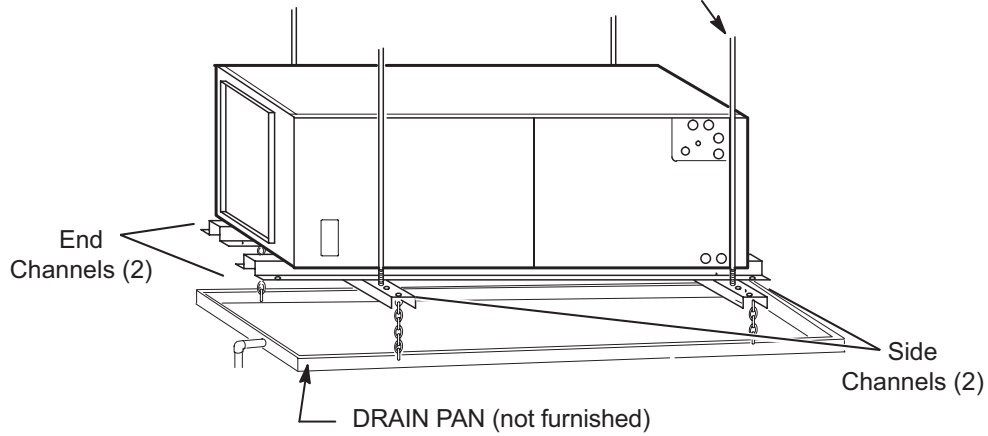


DOWNFLOW COMBUSTIBLE FLOORING BASE DETAIL



HORIZONTAL SUPPORT FRAME KIT

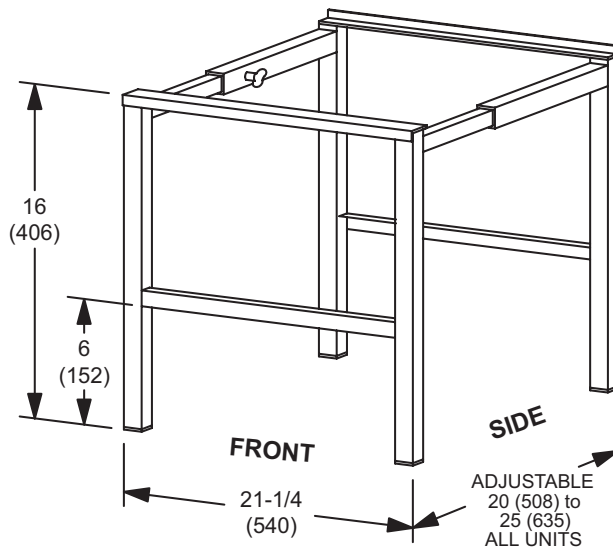
Suspension Rods (Not furnished)



Includes (2) 1 x 1-1/2 x 32-5/8 in. side channels and (2) 1 x 3 x 53-7/8 in. end channels.

SIDE RETURN UNIT STAND

(Upflow Only)



REVISIONS

Sections	Description of Change
Control Options	Updated to reflect latest product offering.



Visit us at www.Lennox.com

For the latest technical information, www.LennoxPros.com

Contact us at 1-800-9-LENNOX

NOTE - Due to Lennox' ongoing commitment to quality, Specifications, Ratings and Dimensions subject to change without notice and without incurring liability. Improper installation, adjustment, alteration, service or maintenance can cause property damage or personal injury. Installation and service must be performed by a qualified installer and servicing agency.

©2026 Lennox Industries, Inc.