



©2017 Lennox Industries Inc.
Dallas, Texas, USA

THIS MANUAL MUST BE LEFT WITH THE HOMEOWNER FOR FUTURE REFERENCE

⚠ WARNING

This product contains a chemical known to the State of California to cause cancer, birth defects, or other reproductive harm.

⚠ WARNING

Improper installation, adjustment, alteration, service or maintenance can cause property damage, personal injury or loss of life. Installation and service must be performed by a licensed professional HVAC installer or equivalent, service agency, or the gas supplier.

⚠ IMPORTANT

The Clean Air Act of 1990 bans the intentional venting of refrigerant (CFCs, HCFCs and HFCs) as of July 1, 1992. Approved methods of recovery, recycling or reclaiming must be followed. Fines and/or incarceration may be levied for noncompliance.

INSTALLATION INSTRUCTIONS

Elite® Series CBA27UHE Air Handler Units

MULTI-POSITION AIR HANDLERS
507674-01
3/2017

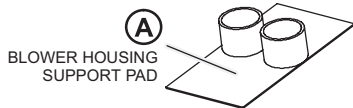
Table of Contents

- CBA27UHE Upflow and Downflow Unit Dimensions2
- CBA27UHE Horizontal Left- and Right-Hand Discharge Unit Dimensions3
- General Information4
- Shipping and Packing List4
- Requirements4
- Installing the Unit4
- Brazing Connections6
- Installing the Condensate Drain7
- Inspecting and Replacing Filters8
- Sealing the Unit8
- Measuring Static Pressure9
- Adjusting the Blower Speed9
- Making Electrical Connections12
- Repairing or Replacing Cabinet Insulation15
- Homeowner Maintenance15
- Check-Out Procedures16

IMPORTANT: Special procedures are required for cleaning the all-aluminum coil in this unit. See page 15 in this instruction for information.

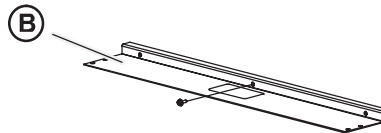
IMPORTANT INFORMATION FOR INSTALLER

CHECK FOR AND REMOVE THESE ITEMS BEFORE OPERATING UNIT.



A BLOWER HOUSING SUPPORT PAD

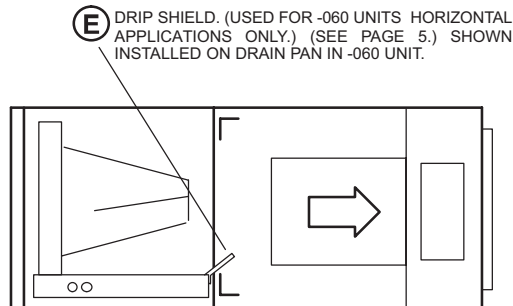
TOP CAP SHIPPING BRACKET (REPLACE SCREWS IN TOP CAP AFTER REMOVAL)



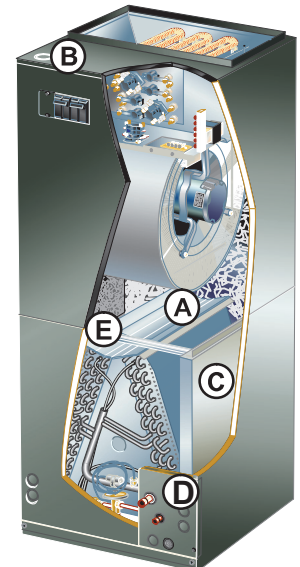
B

C HORIZONTAL DRAIN PAN (SEE PAGES 4 AND 6)

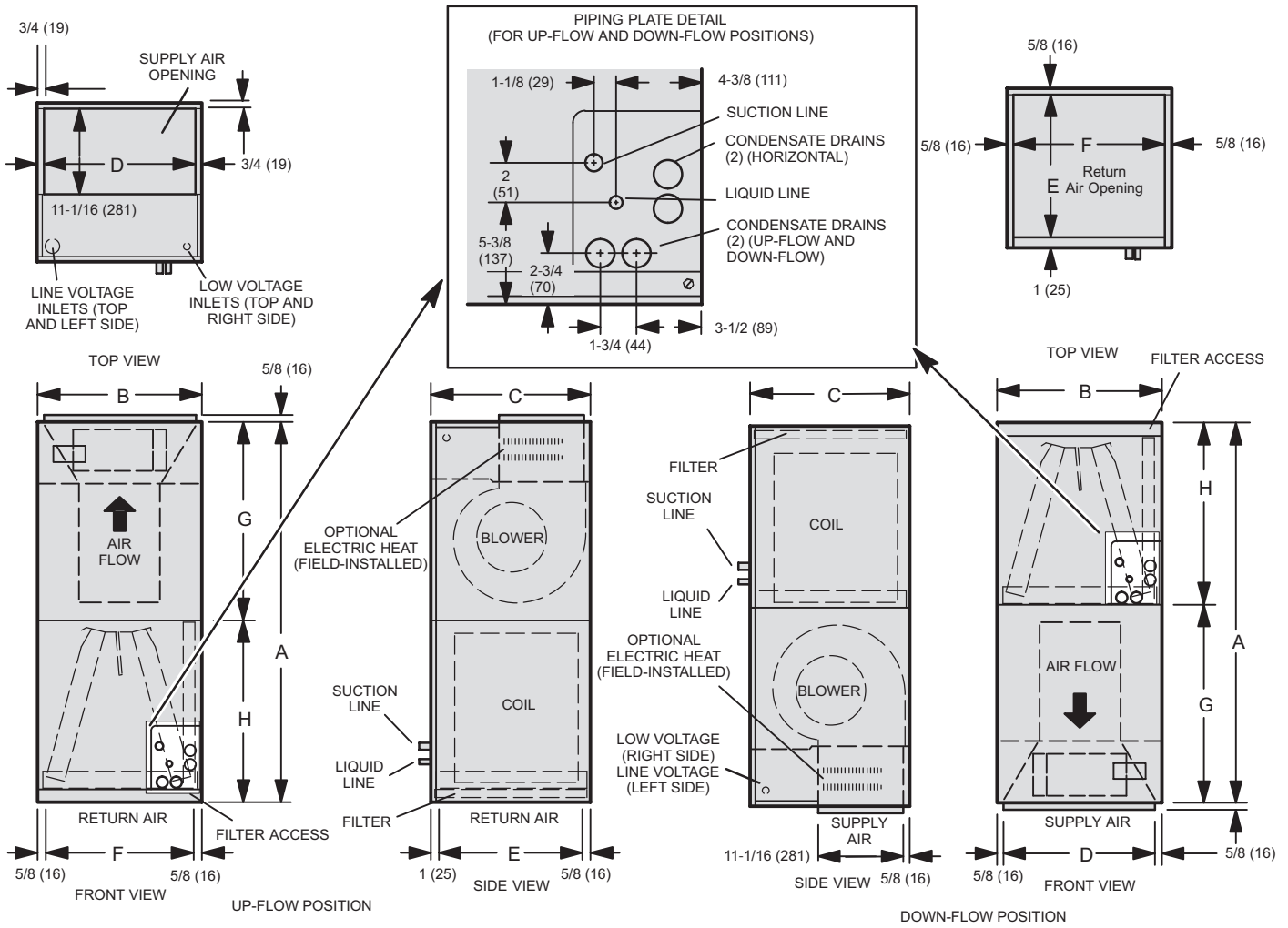
D REFRIGERANT LINE PLUGS (SEE PAGE 6)



E DRIP SHIELD. (USED FOR -060 UNITS HORIZONTAL APPLICATIONS ONLY.) (SEE PAGE 5.) SHOWN INSTALLED ON DRAIN PAN IN -060 UNIT.

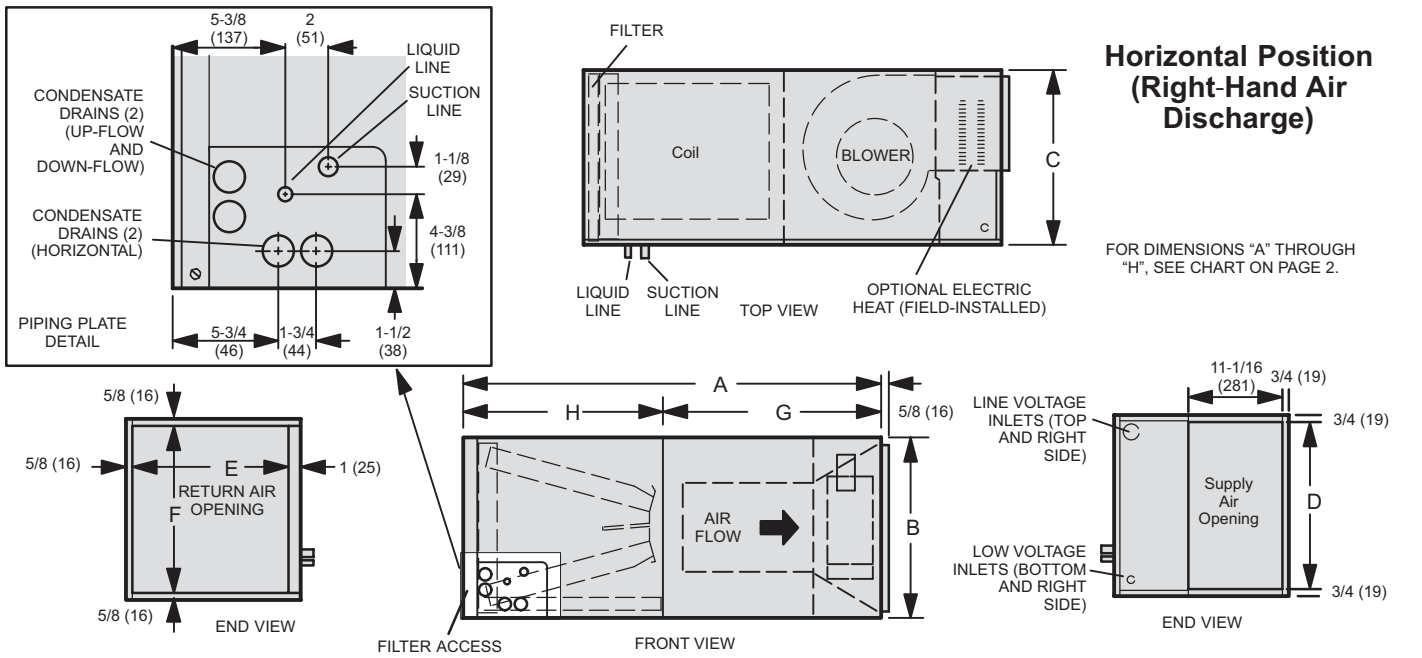


CBA27UHE Upflow and Downflow Unit Dimensions – Inches (mm)

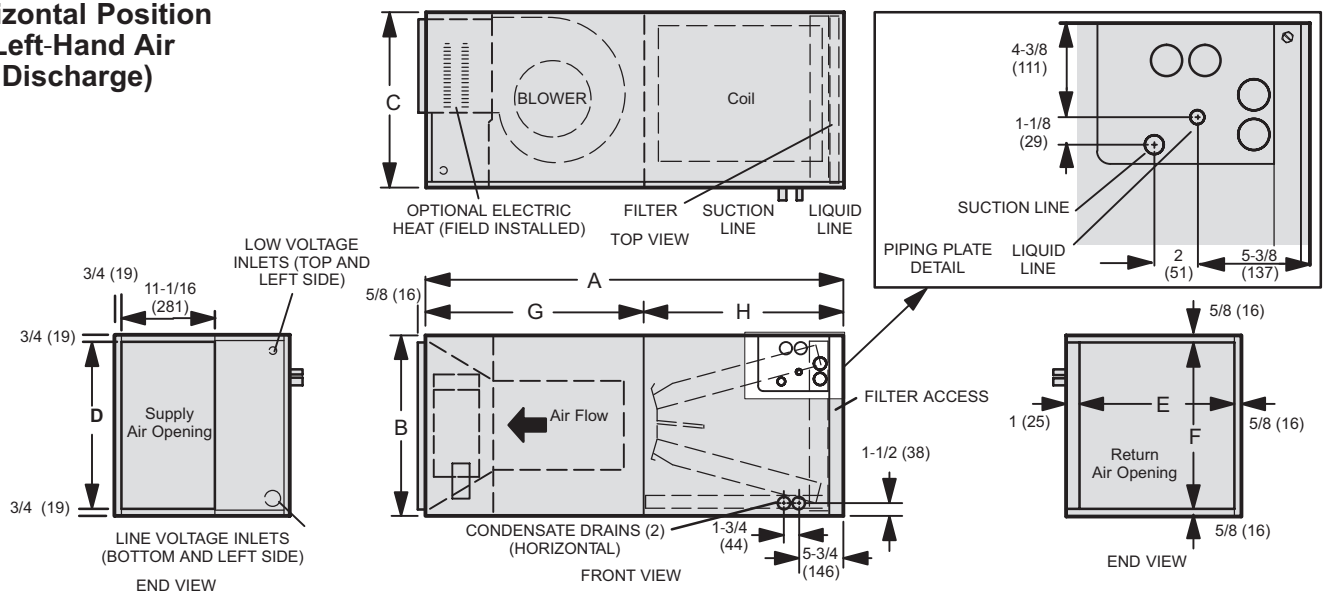


| CBA27UHE Common Dimensions - Inches (mm) | | | | |
|---|------------------|------------------|------------------|---------------|
| Dim. | -018/-024 | -030/-036 | -042/-048 | -060 |
| A | 49-1/4 (1251) | 51 (1295) | 58-1/2 (1486) | 62-1/2 (1588) |
| B | 21-1/4 (540) | 21-1/4 (540) | 21-1/4 (540) | 21-1/4 (540) |
| C | 20-5/8 (524) | 22-5/8 (575) | 24-5/8 (625) | 24-5/8 (625) |
| D | 19-3/4 (502) | 19-3/4 (502) | 19-3/4 (502) | 19-3/4 (502) |
| E | 19 (483) | 21 (533) | 23 (584) | 23 (584) |
| F | 20 (508) | 20 (508) | 20 (508) | 20 (508) |
| G | 24-5/8 (625) | 26-3/8 (670) | 27-7/8 (708) | 27-7/8 (708) |
| H | 24-5/8 (625) | 24-5/8 (625) | 30-5/8 (778) | 34-5/8 (879) |

CBA27UHE Horizontal Left- and Right-Hand Discharge Unit Dimensions – Inches (mm)



Horizontal Position (Left-Hand Air Discharge)



⚠ CAUTION

As with any mechanical equipment, contact with sharp sheet metal edges can result in personal injury. Take care while handling this equipment and wear gloves and protective clothing.

General Information

The Elite® CBA27UHE series air handler **with all-aluminum coil** is designed for installation with optional field-installed electric heat and a matching HFC-410A outdoor unit.

This instruction is intended as a general guide and does not supersede local or national codes in any way. Consult authorities having jurisdiction before installation.

Shipping and Packing List

Package 1 of 1 contains:

- 1 – Assembled air handler unit
- 1 – Horizontal drip shield (CBA27UHE-060 only)
- 1 – Pipe nipple (Sch80, 3/4" I.D. x 5"
- 1 – Warranty card

NOTE – For downflow applications, order kit number 83M57.

Check the air handler for shipping damage; if found, immediately contact the last carrier.

Requirements

⚠ IMPORTANT

This unit must be matched with an indoor coil as specified in the Lennox Engineering Handbook. Coils previously charged with HCFC-22 must be flushed.

In addition to conforming to manufacturer's installation instructions and local municipal building codes, installation of Lennox air handler units (with or without optional electric heat), shall conform with the following National Fire Protection Association (NFPA) standards:

- NFPA No. 90A - Standard for Installation of Air Conditioning and Ventilation Systems
- NFPA No. 90B - Standard for Installation of Residence Type Warm Air Heating and Air Conditioning Systems

This unit is approved for installation clearance to combustible material as stated on the unit rating plate. Accessibility and service clearances must take precedence over combustible material clearances.

Installing the Unit

These units are factory-configured for upflow and horizontal right-hand discharge installation. For downflow or horizontal left-hand discharge, certain field modifications are required.

DISASSEMBLE/REASSEMBLE AIR HANDLER UNITS

The air handler units consists of two factory-assembled sections. It may be necessary to disassemble the sections when positioning the unit for installation.

To disassemble:

- 1 - Remove access panels.
- 2 - Remove both blower and coil assemblies. This will lighten the cabinet for lifting.
- 3 - Remove one screw from the left and right posts inside the unit. Remove one screw from each side on the back of the unit. Unit sections will now separate.

To reassemble:

- 1 - Align cabinet sections together.
- 2 - Reinstall screws.
- 3 - Replace blower and coil assemblies.
- 4 - Replace access panel.

UPFLOW APPLICATION

Use the following procedures to configure the unit for up-flow operations:

- 1 - Remove access panels.
- 2 - Remove and discard the horizontal drip shield (-060 model, used only on horizontal applications) and the corrugated padding between the blower and coil assembly.
- 3 - The horizontal drain pan must be removed when the coil blower is installed in the upflow position. Removing the horizontal drain pan will allow proper air flow and increased efficiency.
- 4 - After removing the horizontal drain pan, place the unit in the desired location. Set unit so that it is level. Connect return and supply air plenums as required using sheet metal screws as illustrated in figure 1.
- 5 - Install units that have no return air plenum on a stand that is at least 14" from the floor to allow for proper air return. Lennox offers an optional upflow unit stand as listed in table 1.

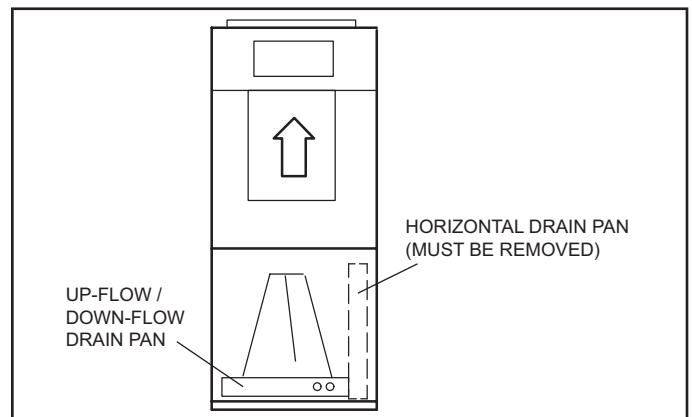


FIGURE 1. Upflow Configuration

TABLE 1. Optional Side-Return Unit Stand (Upflow Only)

| Model | Kit Number |
|----------------|------------|
| All unit sizes | 45K32 |

HORIZONTAL RIGHT-HAND DISCHARGE APPLICATION

Use the following procedures to configure the unit for horizontal right-hand discharge operations:

NOTE – For horizontal applications, a secondary drain pan is recommended. Refer to local codes.

- 1 - Before operating the unit, remove access panels and the horizontal drip shield (-060 model) and the corrugated padding between the blower and coil assembly. Discard the corrugated padding.
- 2 - Install the horizontal shield on the front edge of the horizontal drain pan as illustrated in figure 2.
- 3 - No further adjustment is necessary. Set unit so that it is sloped 1/4" towards the drain pan end of the unit.
- 4 - If the unit is suspended, the entire length of the cabinet must be supported. If you use a chain or strap, use a piece of angle iron or sheet metal attached to the unit (either above or below) to support the length of the cabinet. Use securing screws no longer than 1/2" to avoid damaging the coil or filter as illustrated in figure 3. Use sheet metal screws to connect the return and supply air plenums as required.

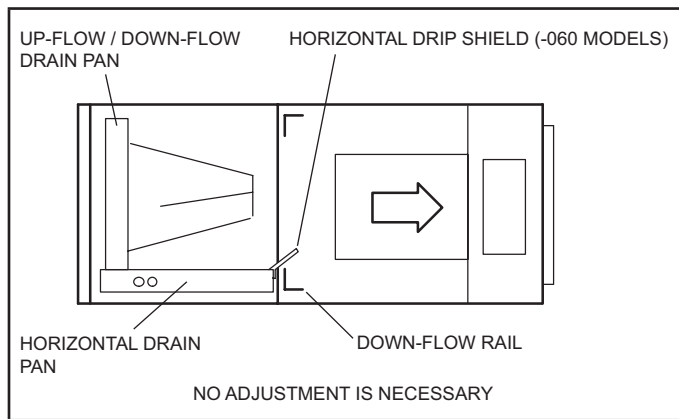


FIGURE 2. Right-Hand Discharge Configuration

HORIZONTAL RIGHT-HAND DISCHARGE APPLICATION IN HIGH-HUMIDITY AREAS

For horizontal applications in high humidity areas, remove the downflow rail closest to the drain pan.

To remove rail:

- 1 - Remove the screws from the rail at the back of unit and at the cabinet support rail.
- 2 - Remove the downflow rail then replace screws.
- 3 - Seal around the exiting drain pipe, liquid line, and suction line to prevent humid air from infiltrating into the unit.

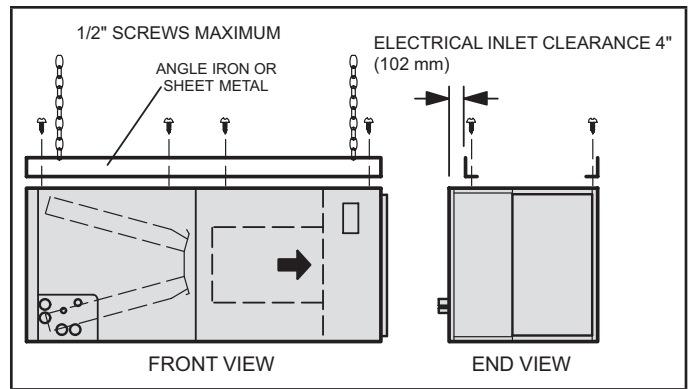


FIGURE 3. Suspending Horizontal Unit

⚠ IMPORTANT

When removing the coil, there is possible danger of equipment damage and personal injury. Be careful when removing the coil assembly from a unit installed in right- or left-hand applications. The coil may tip into the drain pan once it is clear of the cabinet. Support the coil when removing it.

HORIZONTAL LEFT-HAND DISCHARGE APPLICATION

NOTE – For horizontal applications, a secondary drain pan is recommended. Refer to local codes.

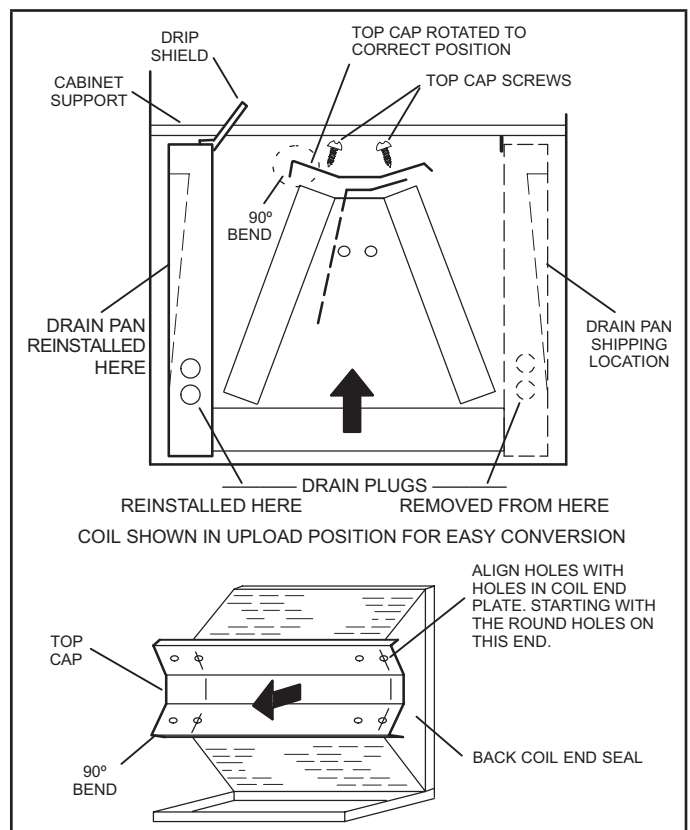


FIGURE 4. Field Modification for Left-Hand Discharge

Use the following procedures to configure the unit for horizontal left-hand discharge operations:

- 1 - Before operating the unit, remove access panels and the horizontal drip shield (-060 model) and the corrugated padding between the blower and coil assembly. Discard the corrugated padding.
- 2 - Pull the coil assembly from unit. Pull off the horizontal drain pan.
- 3 - Remove the drain plugs from back drain holes on horizontal drain pan and reinstall them on front holes.

⚠ IMPORTANT

After removal of drain pan plug(s), check drain hole(s) to verify that drain opening is fully open and free of any debris. Also check to make sure that no debris has fallen into the drain pan during installation that may plug up the drain opening.

- 4 - Rotate drain pan 180° front-to-back and install it on the opposite side of the coil.
- 5 - Remove screws from top cap. Remove horizontal drip shield screw located in the center of the back coil end seal as illustrated in figure 4 on page 5.
- 6 - Rotate horizontal drip shield 180° front-to-back.
- 7 - Remove plastic plug from left hole on coil front end seal and reinstall plug in back hole. Reinstall horizontal drip shield screw in front coil end seal. Drip shield should drain downward into horizontal drain pan inside coil.

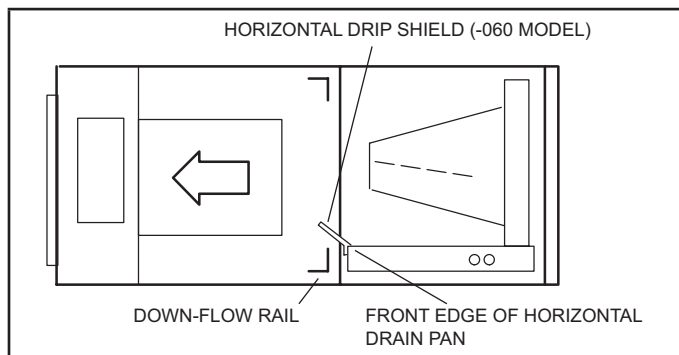


FIGURE 5. Left-Hand Discharge Configuration

- 8 - Rotate top cap 180° front-to-back and align with unused screw holes. Holes must align with front and back coil end plates. The top cap has a 45° bend on one side and a 90° bend on the other. **The 90° bend must be on the same side as the horizontal drain pan** as illustrated in figure 4 on page 5.

NOTE – Be very careful when reinstalling the screws into the coil end plate engaging holes. Misaligned screws may damage the coil.

- 9 - From the upflow position, flip cabinet 90° to the left and set into place. Replace blower assembly. Secure coil in place by bending down the tab on the cabinet support rail as illustrated in figures 4 and 5.

- 10 - Install the horizontal shield (-060 model) on the front edge of the horizontal drain pan as illustrated in figure 5 on page 6.

NOTE – For horizontal applications in high humidity areas, remove the downflow rail closest to the drain pan. To remove rail, remove screw from rail at back of unit and at cabinet support rail. Remove downflow rail then replace screws. Also, seal around the exiting drain pipe, liquid and suction lines to prevent infiltration of humid air.

- 11 - Knock out drain seal plate from access door. Secure plate to cabinet front flange with screw provided.
- 12 - Flip access door and replace it on the unit.
- 13 - Set unit so that it is sloped 1/4" toward the drain pan end of the unit. Connect return and supply air plenums as required using sheet metal screws.
- 14 - If suspending the unit, it must be supported along the entire length of the cabinet. If using chain or strap, use a piece of angle iron or sheet metal attached to the unit (either above or below) so that the full length of the cabinet is supported. Use securing screws no longer than 1/2" to avoid damage to coil or filter, as illustrated in figure 3 on page 5. Connect return and supply air plenums as required using sheet metal screws.

DOWNFLOW APPLICATION

NOTE – If downflow application is required, separately order kit number 83M57 and install per kit's instructions. Also use metal or class I supply and return air plenums.

Use the installation instruction provided with the downflow kit.

⚠ IMPORTANT

If electric heat section with circuit breakers (ECB29) is installed in a CBA27UHE unit in a downflow application, the circuit breakers must be rotated 180° to the UP position. See ECB29 installation instructions for more details.

Brazing Connections

⚠ IMPORTANT

To prevent the build-up of high levels of nitrogen when purging, it must be done in a well-ventilated area. Purge low-pressure nitrogen (1 to 2 psig) through the refrigerant piping during brazing. This will help to prevent oxidation and the introduction of moisture into the system.

All coils are equipped with a factory-installed, internally mounted check/expansion valve.

The air handler's coil line sizes are listed in table 2. Use Lennox L15 (sweat) series line sets (refer to the outdoor unit Product Specifications (EHB) for proper size, type and application). For field-fabricated refrigerant lines, see the piping section of the Lennox Unit Information Service Manual.

⚠ WARNING

Danger of explosion!

Can cause equipment damage, injury, or death.

When using a high pressure gas such as dry nitrogen to pressurize a refrigeration or air conditioning system, use a regulator that can control the pressure down to 1 or 2 psig (6.9 to 13.8 kPa).

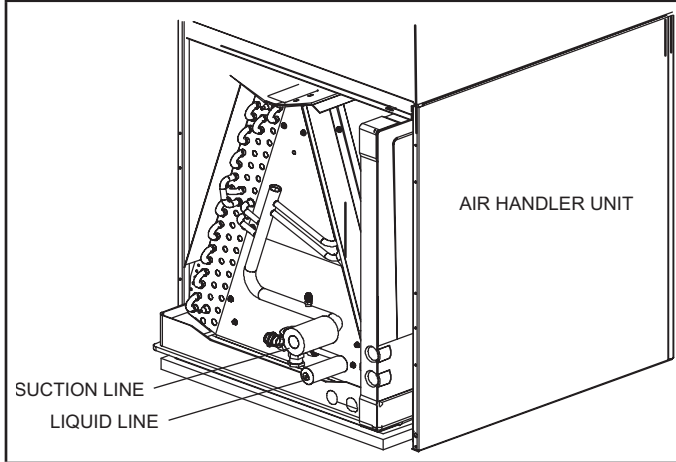


FIGURE 6. Brazing Connections

NOTE – CBA27UHE series air handlers use nitrogen or dry air as a holding charge. If there is no pressure when the rubber plugs are removed, check the coil for leaks before installing. After installation, pull a vacuum on the line set and coil before releasing the unit charge into the system.

NOTE – See outdoor unit instructions on how to flow nitrogen through line sets.

- 1 - Remove access panel.
- 2 - Remove the refrigerant line caps from the refrigerant lines.
- 3 - Use a wet rag to protect TXV sensing bulb (or remove it) when brazing suction line connections.
- 4 - Place a wet rag against piping plate and around the suction line connection. The wet rag must be in place to guard against damage to the paint.
- 5 - With the wet rag in place, position a field provided elbow fitting to the air handler's suction line and line set. Start nitrogen flow before brazing.
- 6 - After the procedure is completed then remove the wet rag.
- 7 - Place wet rag against piping plate and around the liquid line connection. Position liquid line elbow to air handler's suction line and to line set. Start nitrogen flow and begin brazing both connections and after procedure is completed then remove both wet rags.

8 - Refer to instructions provided with outdoor unit for leak testing, evacuating and charging procedures.

9 - Install access panel.

TABLE 2. Refrigerant Line Sizes

| Model | Liquid Line | Vapor Line | Line Sets |
|------------------------------|----------------|----------------|--|
| -018 -024 -030 -036 | 3/8" (10mm) | 3/4" (19mm) | L15 line set sizes are dependant on unit match-up. See Product Specifications (EHB) for outdoor unit to determine correct line set sizes |
| -042 -048 | 3/8" (10mm) | 7/8" (22mm) | |
| -060 | 3/8" (10mm) | 7/8" (22mm) | Field fabricated |

Installing the Condensate Drain

MAIN DRAIN

Connect the main drain and route downward to drain line or sump. Do not connect drain to a closed waste system. See Figure 8 for typical drain trap configuration.

OVERFLOW DRAIN

It is recommended that the overflow drain is connected to an overflow drain line for all units. If overflow drain is not connected, it must be plugged with provided cap.

For downflow orientation, the overflow drain **MUST** be connected and routed to a overflow drain line. See Figure 7 for main and overflow drain locations based on coil orientation.

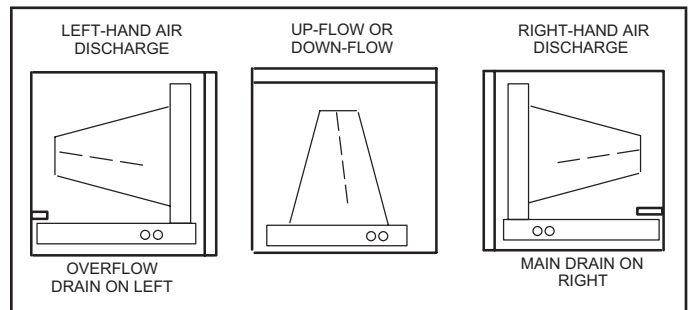


FIGURE 7. Main and Overflow Drain Locations Based on Coil Orientation

BEST PRACTICES

The following best practices are recommended for the condensate removal process:

- Main and overflow drain lines should **NOT** be smaller than both drain connections at drain pan.
- Overflow drain line should run to an area where homeowner will notice drainage.
- It is recommended that the overflow drain line be vented and a trap installed. Refer to local codes.
- Condensate drain lines must be configured or provided with a cleanout to permit the clearing of blockages and for maintenance without requiring the drain line to be cut.

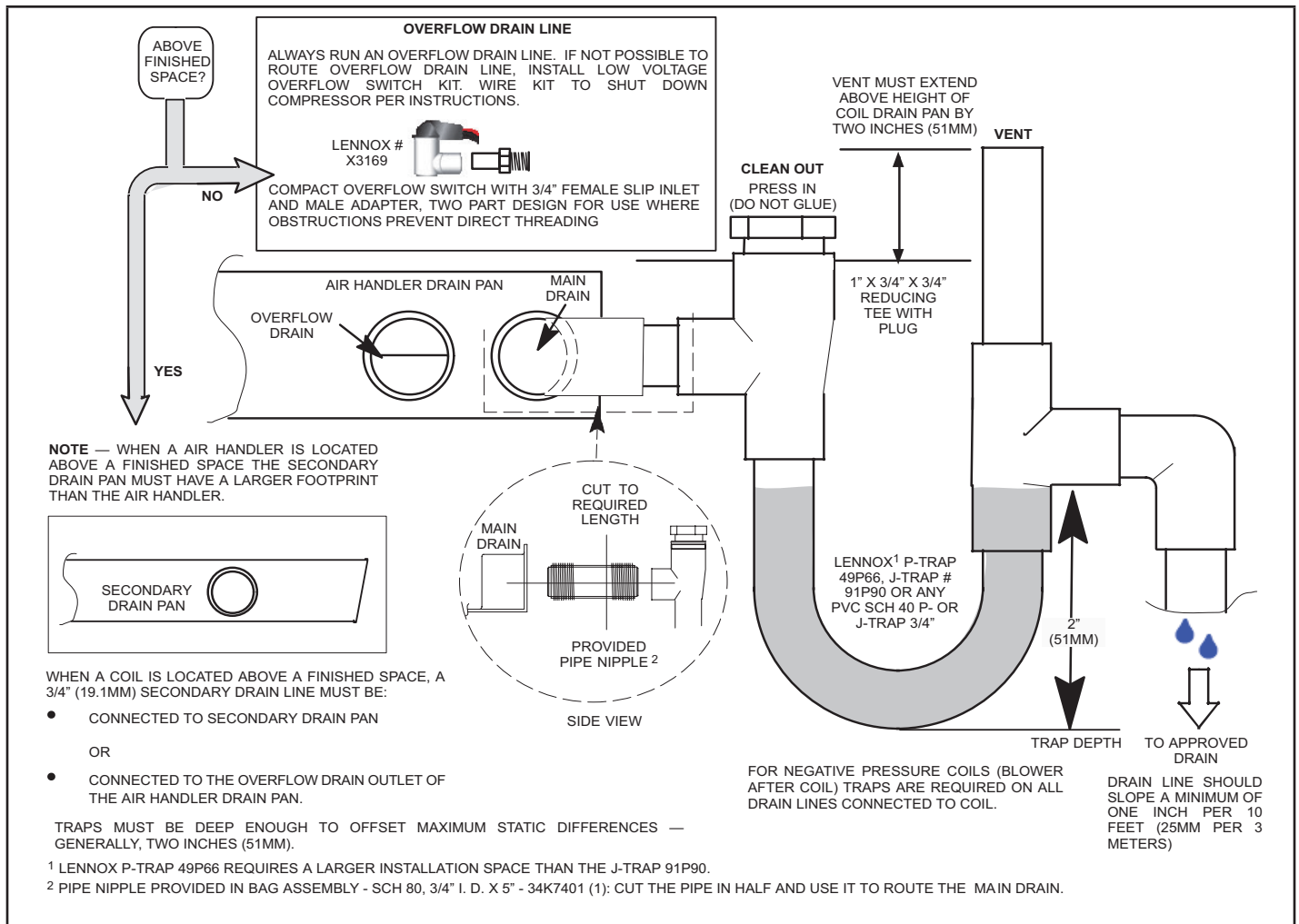


FIGURE 8. Typical Main and Overflow Drain

Inspecting and Replacing Filters

⚠ IMPORTANT

Filter access panel must be in place during unit operation. Excessive warm air entering the unit may result in water blow-off problems.

Filters may be duct-mounted or installed in the cabinet. A filter is installed at the factory. Note that filter access door fits over access panel. Air will leak if the access panel is placed over the filter door.

Filters should be inspected monthly and must be cleaned or replaced when dirty to assure proper air handler operation.

Reusable filters supplied with some units can be washed with water and mild detergent. Some units are equipped with standard throw-away type filters which should be replaced when dirty.

To replace filter:

- Loosen the thumbscrews holding the filter panel in place. Remove the dirty filter.
- Insert new filter and replace panel.

TABLE 3. Filter Dimensions

| CBA27UHE | Filter Size – In. (mm) |
|------------------------|---------------------------|
| -018, -024, -030, -036 | 20" x 20" (508mm x 508mm) |
| -042, -048, -060 | 20" x 24" (508mm x 610mm) |

Sealing the Unit

⚠ WARNING

There must be an airtight seal between the bottom of the air handler and the return air plenum. Use fiberglass sealing strips, caulking, or equivalent sealing method between the plenum and the air handler cabinet to ensure a tight seal. Return air must not be drawn from a room where this air handler or any gas-fueled appliance (i.e., water heater), or carbon monoxide-producing device (i.e., wood fireplace) is installed.

Seal the unit so that warm air is not allowed into the cabinet. Warm air introduces moisture, which results in water blow-off problems. This is especially important when the unit is installed in an unconditioned area.

Make sure the liquid line and suction line entry points are sealed with either the provided flexible elastomeric thermal insulation, or field provided material (e.g. Armaflex, Permagem or equivalent). Any of the previously mentioned materials may be used to seal around the main and auxiliary drains, and around open areas of electrical inlets.

Measuring Static Pressure

- 1 - Measure tap locations as shown in figure 9.

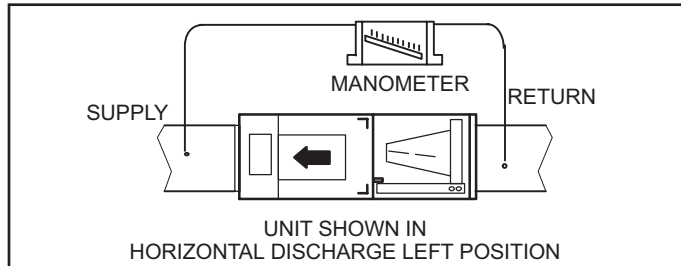


FIGURE 9. Static Pressure Test

- 2 - Punch a 1/4" (6mm) diameter hole in supply and return air plenums. Insert manometer hose flush with inside edge of hole or insulation. Seal around the hose with permagem. Connect the zero end of the manometer to the discharge (supply) side of the system. On ducted systems, connect the other end of manometer to the return duct as above. For systems with non-ducted returns, leave the other end of the manometer open to the atmosphere.
- 3 - With only the blower motor running and the evaporator coil dry, observe the manometer reading. Adjust blower motor speed to deliver the air desired according to the job requirements.
- 4 - For best air performance external static pressure drop must not exceed 0.5" W.C. (1.2 kPa). Refer to blower data tables for CFM and external static.
- 5 - Seal around the hole when the check is complete.

Adjusting Blower Speed

MOTOR SPEED TAPS

NOTE – Motor is programmed for a 45-second delayed OFF on all speed taps except TAP #1 (continuous fan speed).

Table 4 lists the recommended factory blower speed tap selections for CBA27UH series units.

TABLE 4. Recommended Blower Speed Tap Selection

| Operation | CBA27UHE | Outdoor Unit | Tap |
|-----------|-----------|---|-----|
| Cooling | ALL SIZES | Air conditioner | 3 |
| | | Heat pump | 3 |
| Heating* | | Air conditioner with electric heat only | 4 |
| | | Heat pump with electric heat | 4 |

*Minimum setting for heat

These settings are for nominal tonnage match-ups with the CBA27UHE units. When matched with other sizes, it is recommended that the CFM be adjusted to approximately 400 CFM per ton.

To change blower motor speed tap remove the speed tap from Y2 on the terminal strip and insert the desired speed tap. Use the Blower Data tables on pages 10 and 11 for the desired CFM setting.

! IMPORTANT

The high-efficiency programmable motor features programmed electronic braking. The integral control brakes the motor near the end of the supply blower operation, allowing the motor to maintain a more controlled ramping shut-down.

TABLE 5. Motor Speed Taps

| Tap | Operation | Remarks |
|-----|---|---|
| 1 | Continuous or low-speed fan (for two-speed heat pumps or AC units) | Continuous fan speed is energized (24volt input to G) when either G or Y1 has a 24 volt signal (24 volt input from Y1 passes through the room thermostat's Fan Automatic contacts to the G terminal). |
| 2 | Low-speed operation on high-static system | CFM set at 1/2 ton less than nominal of unit (e.g. 3-ton set at 1000 CFM). |
| 3 | Cooling speed setting | CFM set at 400 cfm per nominal ton at ARI minimum static allowed, as follows: 1.5 to 2.0 ton - 0.10 2.5 to 3.5 ton - 0.15 4 to 5 ton - 0.20 |
| 4 | Heat pump with electric heat | CFM set at 400 cfm per nominal ton at .4 static. Energized when electric heat element has a call for heat. |
| 5 | High-static applications | CFM set at 400 cfm per nominal ton at .8 static. |

BLOWER DATA**CBA27UHE-018 BLOWER PERFORMANCE**

| External Static Pressure in. w.g. | Air Volume and Motor Watts | | | | | | | | | |
|-----------------------------------|----------------------------|-------|-------|-------|-------|-------|-------|-------|-------|-------|
| | Tap 1 | | Tap 2 | | Tap 3 | | Tap 4 | | Tap 5 | |
| | cfm | Watts | cfm | Watts | cfm | Watts | cfm | Watts | cfm | Watts |
| .10 | 717 | 66 | 707 | 63 | 735 | 74 | 781 | 81 | 959 | 133 |
| .20 | 596 | 58 | 570 | 54 | 636 | 70 | 737 | 91 | 922 | 144 |
| .30 | 473 | 56 | 430 | 48 | 603 | 77 | 697 | 101 | 877 | 150 |
| .40 | 402 | 61 | 335 | 54 | 540 | 81 | 651 | 105 | 846 | 161 |
| .50 | 358 | 67 | 302 | 60 | 492 | 92 | 607 | 117 | 811 | 173 |
| .60 | 295 | 74 | 248 | 63 | 434 | 94 | 561 | 121 | 769 | 179 |
| .70 | 262 | 79 | 202 | 72 | 399 | 103 | 507 | 131 | 727 | 187 |
| .80 | N/A | N/A | N/A | N/A | 348 | 108 | 459 | 137 | 695 | 196 |

CBA27UHE-024 BLOWER PERFORMANCE

| External Static Pressure in. w.g. | Air Volume and Motor Watts | | | | | | | | | |
|-----------------------------------|----------------------------|-------|-------|-------|-------|-------|-------|-------|-------|-------|
| | Tap 1 | | Tap 2 | | Tap 3 | | Tap 4 | | Tap 5 | |
| | cfm | Watts | cfm | Watts | cfm | Watts | cfm | Watts | cfm | Watts |
| .10 | 767 | 78 | 753 | 75 | 826 | 88 | 957 | 131 | 1095 | 189 |
| .20 | 662 | 68 | 648 | 66 | 791 | 100 | 937 | 142 | 1063 | 199 |
| .30 | 615 | 76 | 612 | 77 | 750 | 108 | 895 | 149 | 1040 | 211 |
| .40 | 561 | 83 | 539 | 83 | 711 | 116 | 861 | 160 | 1010 | 226 |
| .50 | 522 | 87 | 507 | 89 | 681 | 126 | 821 | 172 | 970 | 230 |
| .60 | 450 | 96 | 438 | 93 | 628 | 134 | 778 | 175 | 944 | 237 |
| .70 | 419 | 100 | 411 | 103 | 584 | 142 | 750 | 186 | 905 | 248 |
| .80 | 365 | 110 | 358 | 108 | 521 | 147 | 702 | 194 | 864 | 256 |

CBA27UHE-030 BLOWER PERFORMANCE

| External Static Pressure in. w.g. | Air Volume and Motor Watts | | | | | | | | | |
|-----------------------------------|----------------------------|-------|-------|-------|-------|-------|-------|-------|-------|-------|
| | Tap 1 | | Tap 2 | | Tap 3 | | Tap 4 | | Tap 5 | |
| | cfm | Watts | cfm | Watts | cfm | Watts | cfm | Watts | cfm | Watts |
| .10 | 1061 | 115 | 1104 | 126 | 1169 | 154 | 1212 | 166 | 1278 | 200 |
| .20 | 941 | 103 | 973 | 118 | 1070 | 144 | 1157 | 173 | 1241 | 210 |
| .30 | 789 | 90 | 848 | 104 | 1019 | 151 | 1121 | 185 | 1201 | 223 |
| .40 | 640 | 83 | 789 | 111 | 991 | 165 | 1077 | 199 | 1169 | 233 |
| .50 | 525 | 93 | 728 | 118 | 946 | 175 | 1038 | 209 | 1124 | 244 |
| .60 | 469 | 101 | 629 | 128 | 900 | 181 | 1006 | 215 | 1100 | 256 |
| .70 | 434 | 104 | 581 | 139 | 851 | 194 | 956 | 230 | 1051 | 268 |
| .80 | 365 | 116 | 521 | 155 | 754 | 208 | 915 | 237 | 1000 | 275 |

CBA27UHE-036 BLOWER PERFORMANCE

| External Static Pressure in. w.g. | Air Volume and Motor Watts at 208V | | | | | | | | | |
|-----------------------------------|------------------------------------|-------|-------|-------|-------|-------|-------|-------|-------|-------|
| | Tap 1 | | Tap 2 | | Tap 3 | | Tap 4 | | Tap 5 | |
| | cfm | Watts | cfm | Watts | cfm | Watts | cfm | Watts | cfm | Watts |
| .10 | 1074 | 134 | 1099 | 147 | 1264 | 206 | 1343 | 240 | 1498 | 340 |
| .20 | 962 | 121 | 1027 | 143 | 1222 | 220 | 1291 | 253 | 1467 | 344 |
| .30 | 887 | 126 | 989 | 153 | 1192 | 234 | 1269 | 266 | 1433 | 364 |
| .40 | 852 | 136 | 944 | 164 | 1144 | 242 | 1224 | 280 | 1391 | 378 |
| .50 | 791 | 150 | 894 | 172 | 1111 | 257 | 1194 | 286 | 1365 | 383 |
| .60 | 717 | 160 | 820 | 186 | 1067 | 266 | 1153 | 297 | 1320 | 398 |
| .70 | 649 | 168 | 745 | 202 | 1037 | 270 | 1118 | 309 | 1290 | 407 |
| .80 | 606 | 183 | 697 | 213 | 999 | 284 | 1081 | 317 | 1247 | 422 |

BLOWER DATA**CBA27UHE-042 BLOWER PERFORMANCE**

| External Static Pressure in. w.g. | Air Volume and Motor Watts | | | | | | | | | |
|-----------------------------------|----------------------------|-------|-------|-------|-------|-------|-------|-------|-------|-------|
| | Tap 1 | | Tap 2 | | Tap 3 | | Tap 4 | | Tap 5 | |
| | cfm | Watts | cfm | Watts | cfm | Watts | cfm | Watts | cfm | Watts |
| .10 | 1282 | 177 | 1346 | 201 | 1497 | 261 | 1489 | 261 | 1723 | 396 |
| .20 | 1143 | 159 | 1278 | 204 | 1475 | 281 | 1461 | 273 | 1690 | 408 |
| .30 | 1067 | 162 | 1233 | 209 | 1447 | 297 | 1427 | 290 | 1656 | 434 |
| .40 | 1024 | 175 | 1199 | 223 | 1406 | 315 | 1407 | 305 | 1639 | 436 |
| .50 | 920 | 189 | 1154 | 235 | 1376 | 320 | 1360 | 324 | 1599 | 462 |
| .60 | 923 | 197 | 1099 | 252 | 1345 | 338 | 1328 | 336 | 1573 | 473 |
| .70 | 838 | 204 | 1022 | 267 | 1294 | 358 | 1303 | 351 | 1541 | 485 |
| .80 | 815 | 218 | 1003 | 275 | 1238 | 375 | 1228 | 373 | 1494 | 515 |

CBA27UHE-048 BLOWER PERFORMANCE

| External Static Pressure in. w.g. | Air Volume and Motor Watts | | | | | | | | | |
|-----------------------------------|----------------------------|-------|-------|-------|-------|-------|-------|-------|-------|-------|
| | Tap 1 | | Tap 2 | | Tap 3 | | Tap 4 | | Tap 5 | |
| | cfm | Watts | cfm | Watts | cfm | Watts | cfm | Watts | cfm | Watts |
| .10 | 1359 | 190 | 1509 | 257 | 1718 | 362 | 1773 | 401 | 1903 | 511 |
| .20 | 1238 | 174 | 1473 | 273 | 1690 | 380 | 1758 | 419 | 1899 | 515 |
| .30 | 1135 | 172 | 1453 | 289 | 1658 | 397 | 1707 | 434 | 1868 | 535 |
| .40 | 1090 | 180 | 1450 | 290 | 1619 | 412 | 1687 | 449 | 1830 | 553 |
| .50 | 1032 | 195 | 1374 | 315 | 1588 | 431 | 1660 | 465 | 1801 | 558 |
| .60 | 980 | 204 | 1336 | 331 | 1561 | 440 | 1618 | 472 | 1770 | 582 |
| .70 | 929 | 223 | 1295 | 339 | 1510 | 457 | 1593 | 493 | 1733 | 600 |
| .80 | 867 | 235 | 1227 | 363 | 1488 | 473 | 1552 | 508 | 1703 | 618 |

CBA27UHE-060 BLOWER PERFORMANCE

| External Static Pressure in. w.g. | Air Volume and Motor Watts | | | | | | | | | |
|-----------------------------------|----------------------------|-------|-------|-------|-------|-------|-------|-------|-------|-------|
| | Tap 1 | | Tap 2 | | Tap 3 | | Tap 4 | | Tap 5 | |
| | cfm | Watts | cfm | Watts | cfm | Watts | cfm | Watts | cfm | Watts |
| .10 | 1404 | 206 | 1704 | 340 | 1886 | 453 | 1928 | 481 | 2268 | 800 |
| .20 | 1295 | 194 | 1658 | 349 | 1849 | 467 | 1905 | 510 | 2228 | 829 |
| .30 | 1256 | 204 | 1631 | 365 | 1806 | 489 | 1869 | 525 | 2192 | 830 |
| .40 | 1199 | 217 | 1594 | 386 | 1784 | 505 | 1842 | 546 | 2169 | 856 |
| .50 | 1145 | 236 | 1549 | 394 | 1751 | 523 | 1799 | 548 | 2136 | 870 |
| .60 | 1091 | 248 | 1508 | 413 | 1720 | 534 | 1775 | 569 | 2106 | 894 |
| .70 | 978 | 270 | 1474 | 433 | 1683 | 549 | 1741 | 592 | 2089 | 907 |
| .80 | 946 | 279 | 1440 | 453 | 1655 | 566 | 1709 | 611 | 2050 | 925 |

Making Electrical Connections

⚠ WARNING

Run 24V Class II wiring only through specified low voltage opening. Run line voltage wiring only through specified high voltage opening. Do not combine voltage in one opening.

⚠ CAUTION

USE COPPER CONDUCTORS ONLY.

This unit is provided with knock-outs for conduit. Refer to figure 11 on page 13 for unit wiring diagram, which includes all field wiring. Separate openings have been provided for 24V low voltage and line voltage. Refer to the dimension illustration on page 2 or 3 for specific location.

Wiring must conform to the current National Electric Code ANSI/NFPA No. 70, or Canadian Electric Code Part I, CSA Standard C22.1, and local building codes. Refer to following wiring diagrams. See unit nameplate for minimum circuit ampacity and maximum overcurrent protection size.

Select the proper supply circuit conductors in accordance with tables 310-16 and 310-17 in the National Electric Code, ANSI/NFPA No. 70 or tables 1 through 4 in the Canadian Electric Code, Part I, CSA Standard C22.1.

The motor speed is set by the speed tap connection to the low voltage terminal strip in the control section. The speed can be increased by swapping wires as shown in figure 11.

WIRING CONNECTIONS

- 1 - Install line voltage power supply to unit from a properly installed circuit breaker.
- 2 - Ground unit at unit disconnect switch or to an earth ground.

NOTE – Connect conduit to the unit using a proper conduit fitting. Units are approved for use only with copper conductors. A complete unit wiring diagram is located on the back side of the unit's access panel.

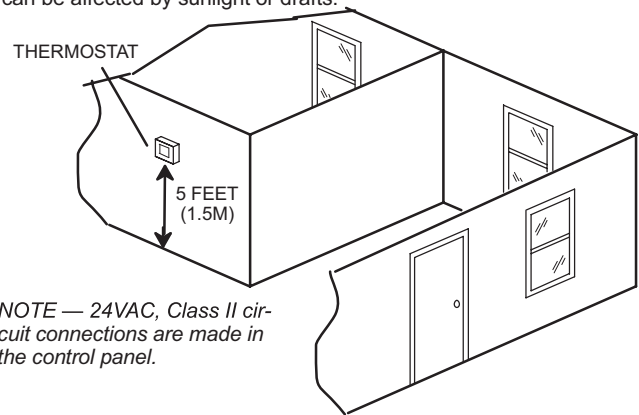
- 3 - Install low voltage wiring from outdoor to indoor unit and from thermostat to indoor unit.

NOTE – For proper voltages, select thermostat wire gauge per the following chart:

TABLE 6. Run Length (Class II Rated Wiring)

| Wire Run Length | AWG # | Insulation / Core Types |
|----------------------|-------|---|
| Less than 100' (30m) | 18 | Color coded, temperature rating 95°F (35°C) minimum, solid core |
| More than 100' (30m) | 16 | |

Install room thermostat (ordered separately) on an inside wall approximately in the center of the conditioned area and 5 feet (1.5m) from the floor. It should not be installed on an outside wall or where it can be affected by sunlight or drafts.

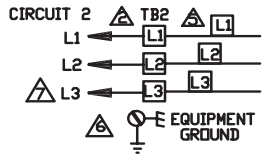


NOTE — 24VAC, Class II circuit connections are made in the control panel.

NOTE — Units are approved for use only with copper conductors. Ground unit at disconnect switch or to an earth ground.

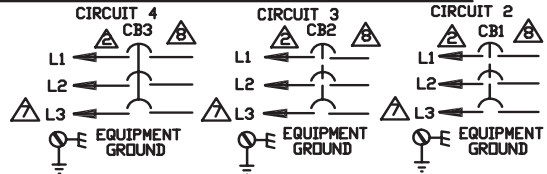
FIGURE 10. Thermostat Installation

FIELD WIRING FOR UNITS WITHOUT CIRCUIT BREAKERS

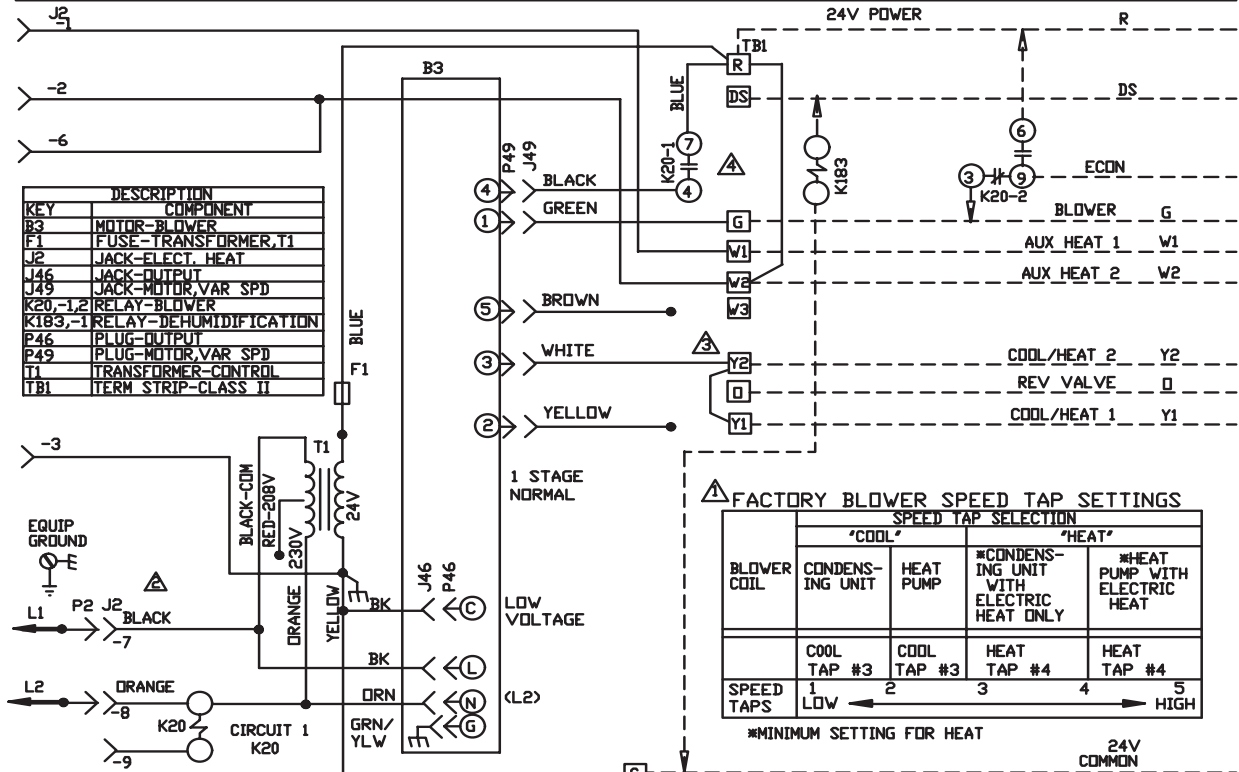


- ⚠ CONNECT POWER WIRES FROM HEATER LABELED L1,L2 ON "P" VOLTAGE UNITS AND L1,L2,L3 ON "Y" VOLTAGE UNITS TO TB2 TERMINAL STRIP IN INDOOR UNIT
- ⚠ EQUIPMENT GROUND LOCATED IN INDOOR UNIT

FIELD WIRING FOR UNITS WITH CIRCUIT BREAKERS



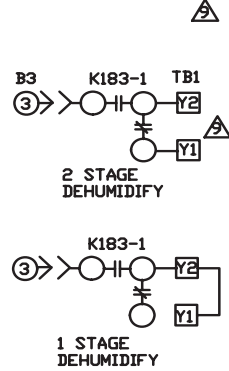
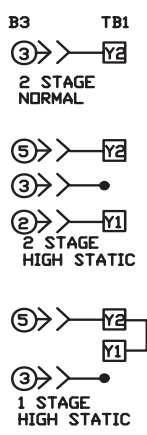
- ⚠ L3 IS NOT PRESENT ON (P) ELECTRIC HEATERS
- ⚠ THE NUMBER OF CIRCUITS VARY ACCORDING TO HEATER MODEL. REFER TO FAN COIL NAMEPLATE FOR ACTUAL NUMBER EMPLOYED



FACTORY BLOWER SPEED TAP SETTINGS

| BLOWER COIL | SPEED TAP SELECTION | | | |
|-------------|---------------------|-------------|---|------------------------------|
| | "COOL" | | "HEAT" | |
| | CONDENSING UNIT | HEAT PUMP | CONDENSING UNIT WITH ELECTRIC HEAT ONLY | HEAT PUMP WITH ELECTRIC HEAT |
| | COOL TAP #3 | COOL TAP #3 | HEAT TAP #4 | HEAT TAP #4 |
| SPEED TAPS | 1 | 2 | 3 | 4 |
| | LOW | ← | → | HIGH |

⚠ MINIMUM SETTING FOR HEAT



⚠ FOR HIGH STATIC APPLICATION, REFERENCE DEHUMIDIFICATION KIT INSTRUCTIONS

⚠ REFER TO FACTORY BLOWER SPEED TAP SELECTION CHART FOR BLOWER SPEED INFORMATION AND UNIT INSTRUCTIONS FOR ADDITIONAL BLOWER SETTINGS

⚠ USE COPPER CONDUCTORS ONLY. REFER TO UNIT NAMEPLATE FOR MINIMUM CIRCUIT AMPACITY AND MAXIMUM OVERCURRENT PROTECTION SIZE

⚠ JUMPER "Y1" TO "Y2" IS FOR SINGLE STAGE COOLING. REMOVE JUMPER "Y1" TO "Y2" FOR TWO STAGE COOLING.

⚠ FOR STAGING OF ELECTRIC HEAT, REMOVE R TO W2 JUMPER

⚠ DENOTES OPTIONAL COMPONENTS

— LINE VOLTAGE FIELD WIRING

- - - CLASS II VOLTAGE FIELD WIRING

LENNOX COILS-BLOWER COIL UNITS

CB27UH,CBX27UH-018
THRU 060 UNITS

COIL SECTION-1B46

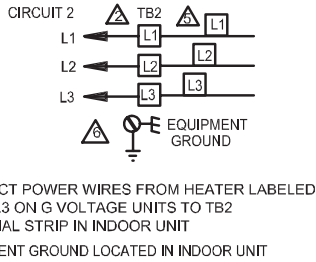
0311 Supersedes

New Form No. 535,508W

© 2011 Litho U.S.A.

FIGURE 11. Typical System Wiring Diagram

FIELD WIRING FOR UNITS WITHOUT CIRCUIT BREAKERS



FIELD WIRING FOR UNITS WITH CIRCUIT BREAKERS

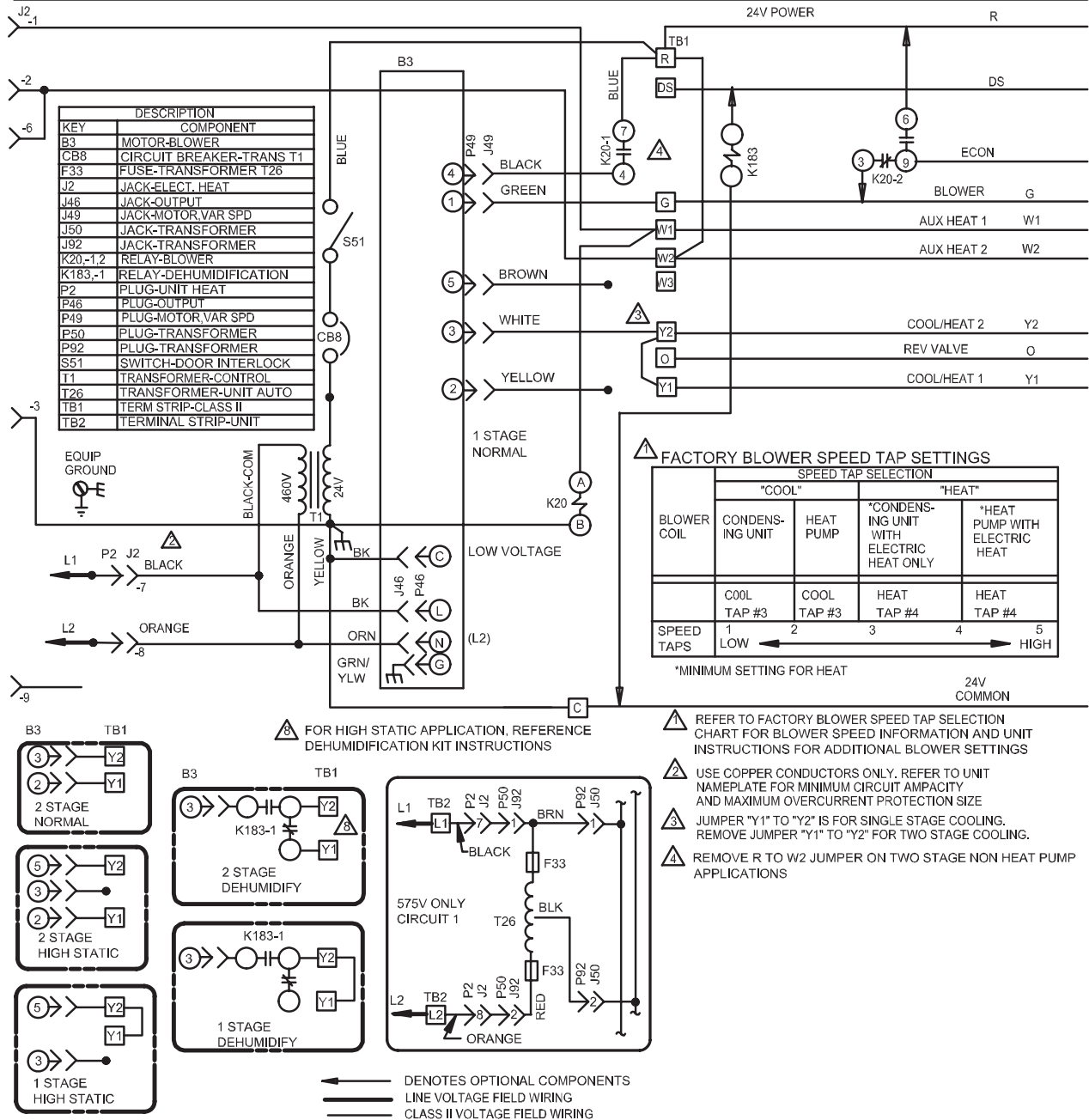
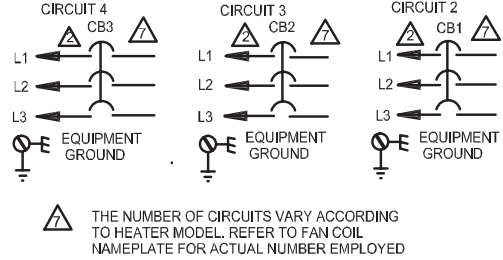


FIGURE 12. Typical System Wiring Diagram – 460V, Single- and Three-Phase Units (-036, -048 and -060 only)

Repairing or Replacing Cabinet Insulation

⚠ IMPORTANT

DAMAGED INSULATION MUST BE REPAIRED OR REPLACED before the unit is put back into operation. Insulation loses its insulating value when wet, damaged, separated or torn.

Matte- or foil-faced insulation is installed in indoor equipment to provide a barrier between outside air conditions (surrounding ambient temperature and humidity) and the varying conditions inside the unit. If the insulation barrier is damaged (wet, ripped, torn or separated from the cabinet walls), the surrounding ambient air will affect the inside surface temperature of the cabinet. The temperature/humidity difference between the inside and outside of the cabinet can cause condensation on the inside or outside of the cabinet which leads to sheet metal corrosion and subsequently, component failure.

REPAIRING DAMAGED INSULATION

Areas of condensation on the cabinet surface are an indication that the insulation is in need of repair.

If the insulation in need of repair is otherwise in good condition, the insulation should be cut in an X pattern, peeled open, glued with an appropriate all-purpose glue and placed back against the cabinet surface, being careful to not overly compress the insulation so the insulation can retain its original thickness. If such repair is not possible, replace the insulation. If using foil-faced insulation, any cut, tear, or separations in the insulation surface must be taped with a similar foil-faced tape.

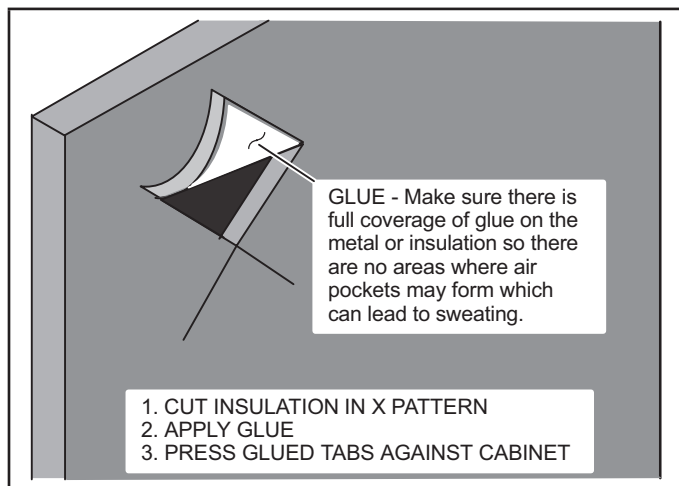


FIGURE 13. Repairing Insulation

⚠ WARNING

Electric Shock Hazard.

Can cause injury or death.



Foil-faced insulation has conductive characteristics similar to metal. Be sure there are no electrical connections within 1/2" of the insulation. If the foil-faced insulation comes in contact with electrical voltage, the foil could provide a path for current to pass through to the outer metal cabinet. While the current produced may not be enough to trip existing electrical safety devices (e.g., fuses or circuit breakers), the current can be enough to cause an electrical shock hazard that could cause personal injury or death.

Homeowner Maintenance

⚠ IMPORTANT

Do not operate system without a filter. A filter is required to protect the coil, blower, and internal parts from excessive dirt and dust. The filter is placed in the return duct by the installer.

- Inspect air filters at least once a month and replace or clean as required. Dirty filters are the most common cause of inadequate heating or cooling performance.
- Replace disposable filters. Cleanable filters can be cleaned by soaking in mild detergent and rinsing with cold water.
- Install new/clean filters with the arrows on the side pointing in the direction of air flow. Do not replace a cleanable (high velocity) filter with a disposable (low velocity) filter unless return air system is properly sized for it.
- If water should start coming from the secondary drain line, a problem exists which should be investigated and corrected. Contact a qualified service technician.

Professional Maintenance

NOTICE !

Failure to follow instructions will cause damage to the unit.

This unit is equipped with an aluminum coil. Aluminum coils may be damaged by exposure to solutions with a pH below 5 or above 9. The aluminum coil should be cleaned using potable water at a moderate pressure (less than 50psi). If the coil cannot be cleaned using water alone, Lennox recommends use of a coil cleaner with a pH in the range of 5 to 9. The coil must be rinsed thoroughly after cleaning.

In coastal areas, the coil should be cleaned with potable water several times per year to avoid corrosive buildup (salt).

Check-out Procedures

IMPORTANT

During installation, service or maintenance, make sure that copper tubing does not rub against metal edges or other copper tubing. Care should also be taken to ensure that tubing does not become kinked. Use wire ties to secure tubing to prevent movement.

Do not secure electrical wires to tubing that carries hot refrigerant gas. Heat from the tubing may melt the wiring insulation, causing a short circuit.

NOTE – Refer to outdoor unit installation instructions for system start-up instructions and refrigerant charging instructions.

PRE-START-UP CHECKS

- Is the air handler properly and securely installed?
- If horizontally configured, is the unit sloped up to 1/4 inch toward drain lines?
- Will the unit be accessible for servicing?
- Has an auxiliary pan been provided under the unit with separate drain for units installed above a finished ceiling or in any installation where condensate overflow could cause damage?
- Have ALL unused drain pan ports been properly plugged?
- Has the condensate line been properly sized, run, trapped, pitched, and tested?
- Is the duct system correctly sized, run, sealed, and insulated?
- Have all cabinet openings and wiring been sealed?
- Is the indoor coil factory-installed TXV properly sized for the outdoor unit being used?
- Have all unused parts and packaging been disposed of?
- Is the filter clean, in place, and of adequate size?
- Is the wiring neat, correct, and in accordance with the wiring diagram?
- Is the unit properly grounded and protected (fused)?
- Is the thermostat correctly wired and in a good location?
- Are all access panels in place and secure?

CHECK BLOWER OPERATION

- Set thermostat to FAN ON.
- The indoor blower should come on.

CHECK COOLING OPERATION

- Set thermostat to force a call for cooling (approximately 5°F lower than the indoor ambient temperature).
- The outdoor unit should come on immediately and the indoor blower should start between 30 - 60 seconds later.
- Check the air flow from a register to confirm that the system is moving cooled air.
- Set the thermostat 5°F higher than the indoor temperature. The indoor blower and outdoor unit should cycle off.

CHECK ELECTRIC HEAT (IF USED)

- Set thermostat to call for auxiliary heat (approximately 5°F above ambient temperature). The indoor blower and auxiliary heat should come on together. Allow a minimum of 3 minutes for all sequencers to cycle on.
- Set the thermostat so that it does not call for heat. Allow up to 5 minutes for all sequencers to cycle off.

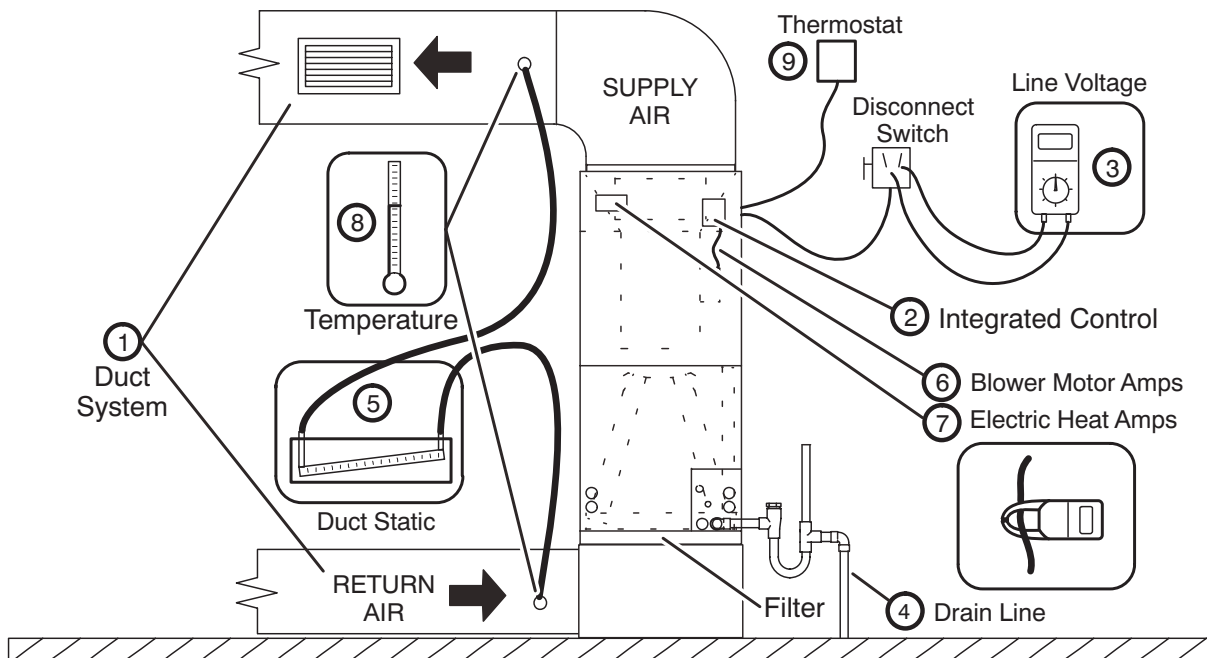
Use of Air Handler During Construction

Lennox does not recommend the use of its air handler unit during any phase of construction. Very low return air temperatures, harmful vapors and operation of the unit with clogged or misplaced filters will damage the unit.

Air handler units may be used for heating (heat pumps) or cooling of buildings under construction, if the following conditions are met:

- A room thermostat must control the air handler. The use of fixed jumpers is not allowed.
- Air filter must be installed in the system and must be maintained during construction.
- Air filter must be replaced upon construction completion.
- The air handler evaporator coil, supply fan assembly and duct system must be thoroughly cleaned following final construction clean-up.
- All air handler operating conditions must be verified according to these installation instructions.

Installing Contractor's Name _____ Installing Date _____
 Installing Contractor's Phone _____ Air Handler Model # _____
 Job Address _____

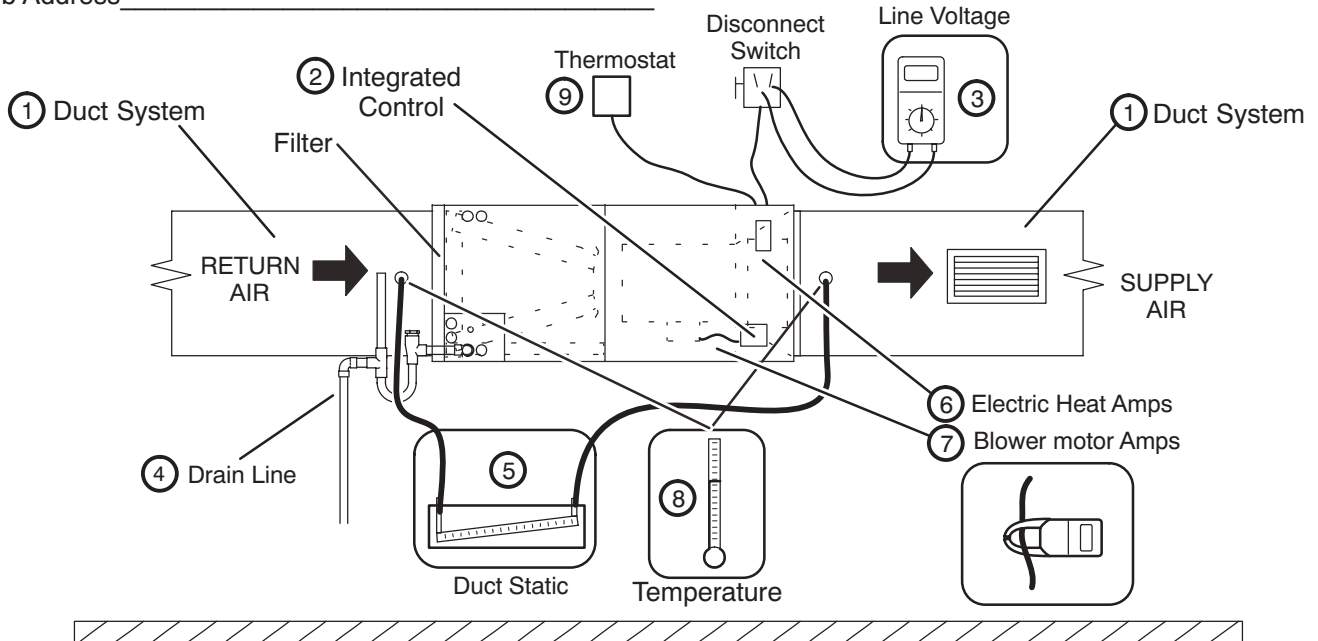


- | | |
|--|---|
| <p>① DUCT SYSTEM</p> <p>SUPPLY AIR DUCT</p> <p><input type="checkbox"/> Sealed</p> <p><input type="checkbox"/> Insulated (if necessary)</p> <p><input type="checkbox"/> Registers Open and Unobstructed</p> <p>RETURN AIR DUCT</p> <p><input type="checkbox"/> Sealed</p> <p><input type="checkbox"/> Filter Installed and Clean</p> <p><input type="checkbox"/> Registers Open and Unobstructed</p> <p>② INTEGRATED CONTROL</p> <p><input type="checkbox"/> Jumpers Configured Correctly (if applicable)</p> <p><input type="checkbox"/> Appropriate Links in Place (if applicable)</p> <p>③ VOLTAGE CHECK</p> <p><input type="checkbox"/> Supply Voltage _____</p> <p><input type="checkbox"/> Low Voltage _____</p> <p><input type="checkbox"/> Electrical Connections Tight</p> <p>④ DRAIN LINE</p> <p><input type="checkbox"/> Leak Free</p> <p><input type="checkbox"/> Explained Operation of System to Homeowner</p> | <p>⑤ TOTAL EXTERNAL STATIC (dry coil)</p> <p style="text-align: right;">dry coil wet coil</p> <p>Supply External Static _____</p> <p>Return External Static _____</p> <p>Total External Static = _____</p> <p>⑥ ELECTRIC HEAT AMPS _____</p> <p>⑦ INDOOR BLOWER AMPS _____</p> <p>INDOOR BLOWER CFM _____</p> <p>⑧ TEMPERATURE DROP (Cooling Mode)</p> <p>Return Duct Temperature _____</p> <p>Supply Duct Temperature - _____</p> <p>Temperature Drop = _____</p> <p>⑧ TEMPERATURE RISE (Heating Mode)</p> <p>Return Duct Temperature _____</p> <p>Supply Duct Temperature - _____</p> <p>Temperature Rise = _____</p> <p>⑨ THERMOSTAT</p> <p><input type="checkbox"/> Adjusted and Programmed</p> <p><input type="checkbox"/> Operation Explained to Owner</p> |
|--|---|

Technician's Name: _____ Date Start-Up & Performance Check Completed _____

FIGURE 14. Start-up and Performance Checklist (Upflow Configuration)

Installing Contractor's Name _____ Installing Date _____
 Installing Contractor's Phone _____ Air Handler Model # _____
 Job Address _____



- | | |
|--|---|
| <p>① DUCT SYSTEM</p> <p>SUPPLY AIR DUCT</p> <p><input type="checkbox"/> Sealed</p> <p><input type="checkbox"/> Insulated (if necessary)</p> <p><input type="checkbox"/> Registers Open and Unobstructed</p> <p>RETURN AIR DUCT</p> <p><input type="checkbox"/> Sealed</p> <p><input type="checkbox"/> Filter Installed and Clean</p> <p><input type="checkbox"/> Registers Open and Unobstructed</p> <p>② INTEGRATED CONTROL</p> <p><input type="checkbox"/> Jumpers Configured Correctly (if applicable)</p> <p><input type="checkbox"/> Appropriate Links in Place (if applicable)</p> <p>③ VOLTAGE CHECK</p> <p><input type="checkbox"/> Supply Voltage _____</p> <p><input type="checkbox"/> Low Voltage _____</p> <p><input type="checkbox"/> Electrical Connections Tight</p> <p>④ DRAIN LINE</p> <p><input type="checkbox"/> Leak Free</p> <p><input type="checkbox"/> Explained Operation of System to Homeowner</p> | <p>⑤ TOTAL EXTERNAL STATIC (dry coil)</p> <p style="text-align: right;">dry coil wet coil</p> <p>Supply External Static _____</p> <p>Return External Static _____</p> <p>Total External Static = _____</p> <p>⑥ ELECTRIC HEAT AMPS _____</p> <p>⑦ INDOOR BLOWER AMPS _____</p> <p>INDOOR BLOWER CFM _____</p> <p>⑧ TEMPERATURE DROP (Cooling Mode)</p> <p>Return Duct Temperature _____</p> <p>Supply Duct Temperature - _____</p> <p>Temperature Drop = _____</p> <p>⑧ TEMPERATURE RISE (Heating Mode)</p> <p>Return Duct Temperature _____</p> <p>Supply Duct Temperature - _____</p> <p>Temperature Rise = _____</p> <p>⑨ THERMOSTAT</p> <p><input type="checkbox"/> Adjusted and Programmed</p> <p><input type="checkbox"/> Operation Explained to Owner</p> |
|--|---|

Technician's Name: _____ Date Start-Up & Performance Check Completed _____

FIGURE 15. Start-Up and Performance Checklist (Horizontal Configuration)