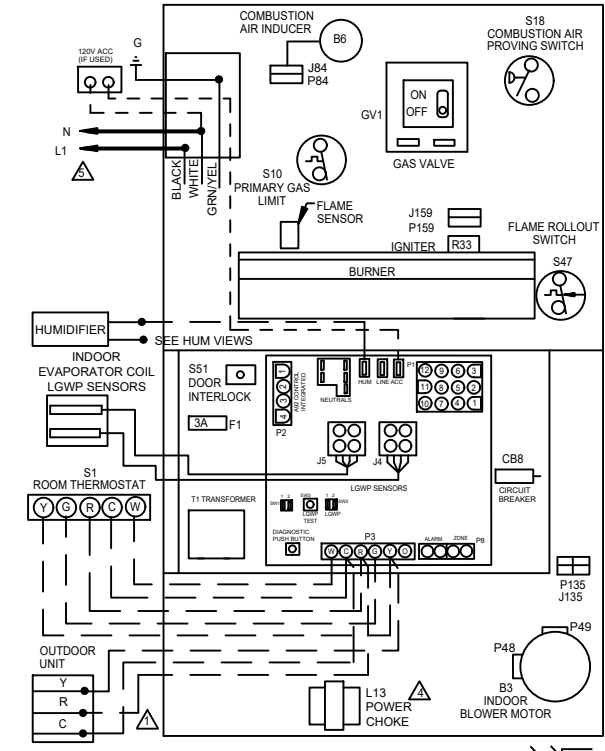


CUT SIZE: 6-1/2" WIDE x 8-3/16" Tall

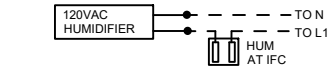


UNIT	FACTORY CONNECTED SPEED TAPS			
	COOL	HEAT	FAN	PARK
60K	BLACK	BLUE	RED	BROWN, YELLOW
80K	BLACK	BLUE	RED	BROWN, YELLOW
100K	BLACK	BLUE	RED	BROWN, YELLOW

HI ← BLOWER SPEED SELECTION → LO

SPEED TAPS	BLACK	BROWN	BLUE	YELLOW	RED

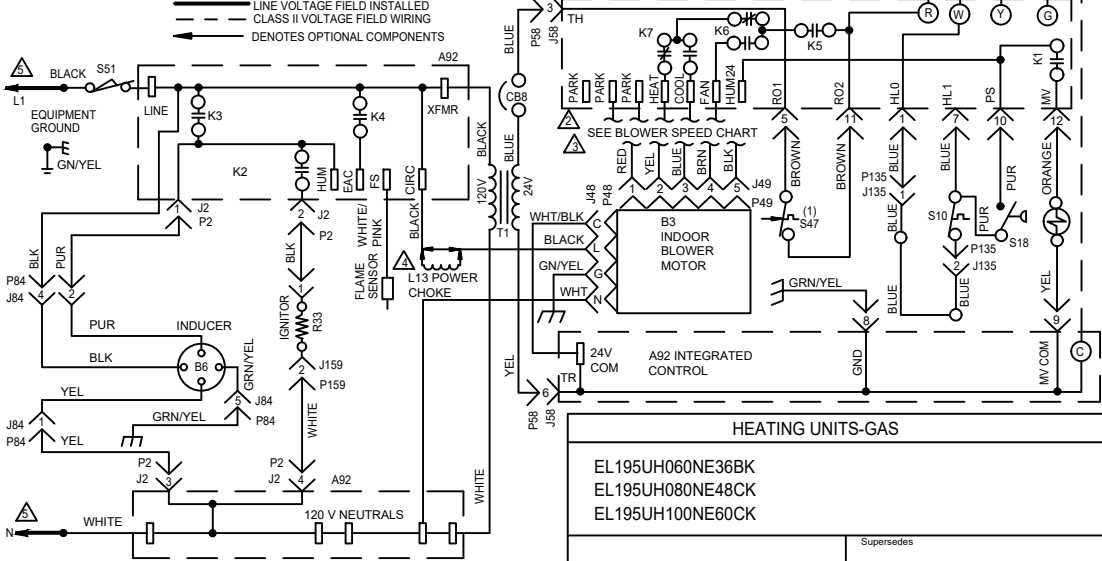
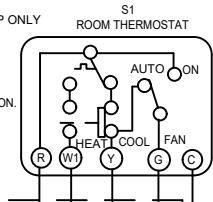
JACK/PLUG CHART
J.P48 JACK/PLUG-INDOOR BLOWER-POWER
J.P49 JACK/PLUG-INDOOR BLOWER-SPD TAP
J1.P1 JACK/PLUG-BURNER CONTROL
J.P84 JACK/PLUG-COMB AIR INDUCER
J.P135 JACK/PLUG-SECONDARY LIMIT (S)
J1.P2 JACK/PLUG-INDUCER/IGNITER
J.P159 JACK/PLUG-IGNITION



- ⚠ 'R' REQUIRED ON SOME OUTDOOR UNITS
- ⚠ PARK TERMINALS ARE UNPOWERED TERMINALS. ALL UNUSED MOTOR LEADS MUST BE WIRED TO A PARK TERMINAL.
- ⚠ DO NOT USE RED (LOW SPEED) MOTOR LEAD FOR HEATING SPEED RESULTING TEMPERATURE RISE WILL BE OUTSIDE OF RISE RANGE.
- ⚠ L13 POWER CHOKE USED ON 3/4 AND 1 HP ONLY
- ⚠ USE COPPER CONDUCTORS ONLY.

NOTE: IF ANY WIRE IN THIS APPLIANCE IS REPLACED, IT MUST BE REPLACED WITH WIRE OF LIKE SIZE, RATING, INSULATION THICKNESS AND TERMINATION.

THERMOSTAT HEAT ANTICIPATION SETTINGS	HONEYWELL VALVE	WHITE-RODGERS VALVE
.65 AMP		
.30 AMP		



HEATING UNITS-GAS
EL195UH060NE36BK
EL195UH080NE48CK
EL195UH100NE60CK

WARNING- ELECTRIC SHOCK HAZARD. CAN CAUSE INJURY OR DEATH. UNIT MUST BE GROUNDED IN ACCORDANCE WITH NATIONAL AND LOCAL CODES.



Form No. 538662-01