

ML17KC2

MERIT® SERIES

Two-Stage | Quantum™ Coil | R-454B | 1-Phase | 60Hz

RESIDENTIAL
PRODUCT SPECIFICATIONS (EHB)



2 to 5 Tons

SEER2 up to 17.9

Cooling Capacity | 24,000 to 60,000 Btuh

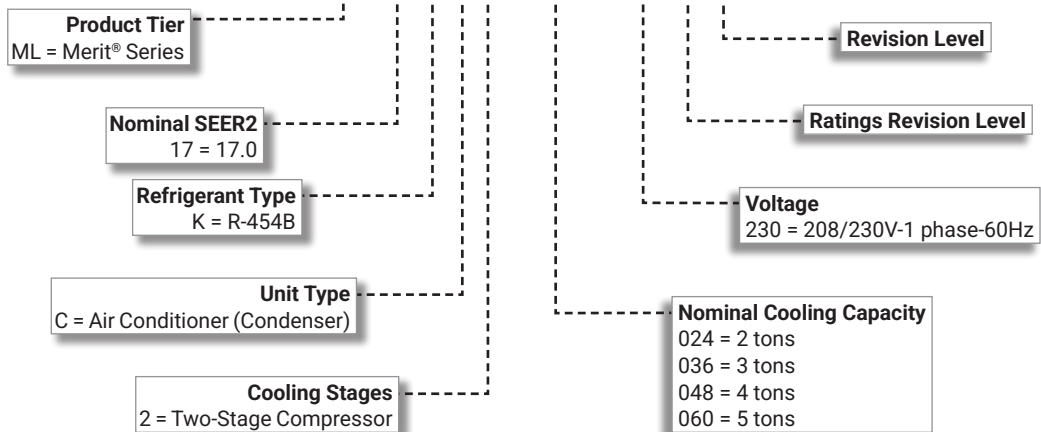


MERIT® SERIES



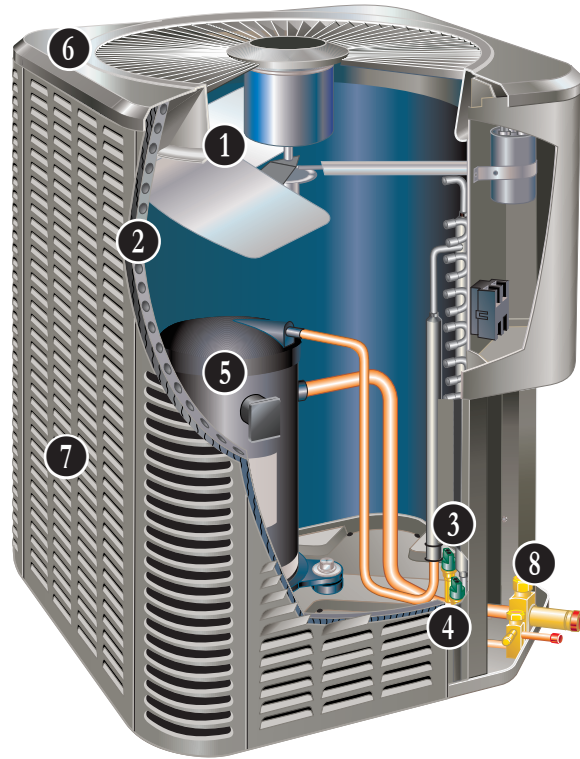
MODEL NUMBER IDENTIFICATION

ML 17 K C 2 - 036 - 230 A 01



FEATURE HIGHLIGHTS

1. Outdoor Coil Fan
2. Quantum™ Coil
3. High Pressure Switch
4. Low Pressure Switch
5. Two-Stage Scroll Compressor
6. Heavy Gauge Steel Cabinet
7. Louvered Steel Panels
8. Refrigerant Line Connections and Access



CONTENTS

Approvals And Warranty	3
Control Options	6
Dimensions - Unit	8
Electrical Data	7
Features	3
Field Wiring	10
Installation Clearances	9
Model Number Identification.	1
Optional Accessories - Order Separately	7
Sound Data	10
Specifications	7
TXV Substitution - R-454B	11
TXV Usage.	11

APPROVALS AND WARRANTY

APPROVALS

- AHRI Standard 210-240-2023 certified
- AHRI Certified system match-ups and expanded ratings, visit www.LennoxPros.com
- Sound rated to AHRI Standard 270-2008 test conditions
- Tested in Lennox' Research Laboratory environmental test room
- Rated According to U.S. Department of Energy (DOE) test procedures
- Unit and components ETL, NEC and CEC bonded for grounding to meet safety standards for servicing
- ETL certified (U.S. and Canada)
- ISO 9001 Registered Manufacturing Quality System

WARRANTY

- Compressor:
 - Limited five years in residential installations
 - Limited five years in non-residential installations
- All other covered components:
 - Limited five years in residential installations
 - Limited one year in non-residential installations

NOTE - Refer to Lennox® Basic Limited Warranty at www.Lennox.com for additional details.

FEATURES

APPLICATIONS

- 2 through 5 ton
- Sound levels as low as 71 dBA
- Single phase power supply
- Applicable to indoor air handlers or gas furnaces with indoor add-on coils
- Shipped completely factory assembled, piped and wired

REFRIGERATION SYSTEM

R-454B Refrigerant

- Low GWP (Global Warming Potential)
- Zero ODP (Ozone Depletion Potential)
- Low Toxicity/Lower Flammability - A2L
- Unit is factory pre-charged

1 Outdoor Coil Fan

- Direct drive fan
- Vertical air discharge
- Sleeve bearings
- Inherently protected
- Totally enclosed fan motor
- Louvered steel top fan guard

2 Quantum™ Coil

- Enhanced aluminum alloy tube/enhanced fin coil
- Superior corrosion resistance
- Lennox designed and fabricated coil
- Ripple-edged aluminum fins
- Aluminum tube construction
- Lanced fins for maximum fin surface exposure
- Fin collars grip tubing for maximum contact area
- Flared shoulder tubing connections
- Factory tested under high pressure
- Entire coil is accessible for cleaning

3 High Pressure Switch

- Protects the system from high pressure conditions that can be a result of fan failure or a blocked/dirty coil
- Automatic reset

4 Low Pressure Switch

- Protects the compressor from low pressure conditions such as low refrigerant charge, or low/no indoor airflow
- Shuts off the outdoor unit if suction pressure falls below setting
- Automatic reset

High-Capacity Liquid Line Drier

- Furnished for field installation
- Drier traps moisture or dirt that could contaminate the system
- 100% molecular-sieve, bead type, bi-flow drier

FEATURES

REFRIGERATION SYSTEM (continued)

Optional Accessories

Expansion Valve Kits

- Field installed on indoor units (if required)
- See TXV Usage table
- Chatleff style fitting

Freezestat

- Protects the system from ice buildup on the indoor coil due to conditions such as low/no airflow, or low refrigerant charge
- Cycles compressor off when suction line temperature falls below freezestat setpoint
- Opens at 29°F and closes at 58°F
- Installs on or near the discharge line of the evaporator or on the suction line

Refrigerant Line Kits

- Refrigerant lines are shipped refrigeration clean
- Lines are cleaned, dried, pressurized and sealed at factory
- Suction line fully insulated
- Lines are stubbed at both ends

INDOOR REFRIGERANT DETECTION SYSTEM (RDS)

- Complies with UL 60335-2-40 approved standard
- Required for all systems using R-454B refrigerant
- Factory or field installed on all indoor units
- Consists of a RDS refrigerant detection sensor and a mitigation control in the indoor unit
- Ensures safe operation for systems equipped with R-454B refrigerant
- Indoor sensor will detect any R-454B refrigerant
- If R-454B refrigerant is detected, the refrigerant detection system will stop compressor operation and operate the blower to reduce concentrations in the conditioned space
- Once safe levels are reached the HVAC system will resume normal operation
- Refer to indoor unit Product Specifications documents for additional details

COMPRESSOR

5 Two-Stage Scroll Compressor

- High volumetric efficiency
- Uniform suction flow
- Constant discharge flow
- Quiet operation
- A 24-volt DC solenoid valve inside the compressor controls staging
- When the solenoid is de-energized the lift ring assembly moves to unblock the compressor ports and the compressor operates at part-load or approximately 67% of its full-load capacity
- The “loading” and “unloading” of the two stage scroll is done “on the fly” without shutting off the single-speed compressor motor between stages
- Compressor motor is internally protected from excessive current and temperature
- Compressor is installed in the unit on specially formulated, resilient rubber mounts for better sound dampening and vibration free operation

Compressor Crankcase Heater (-060 models)

- Prevents liquid refrigerant migration into compressor and ensures proper compressor lubrication

Optional Accessories

Compressor Crankcase Heater (024-036-048 models)

- Prevents liquid refrigerant migration into compressor and ensures proper compressor lubrication

Compressor Hard Start Kit

- Single-phase units are equipped with a PSC compressor motor
- This type of motor normally does not need a potential relay and start capacitor
- In conditions such as low voltage, kit may be required to increase the compressor starting torque

NOTE - Hard start kit is required in applications where the supply voltage is less than 230V.

Compressor Low Ambient Cut-Off

- Non-adjustable switch (low ambient cut-out)
- Prevents compressor operation when outdoor temperature is below 35°F

Compressor Sound Cover

- Reinforced vinyl compressor cover
- 1-1/2 inch thick batt fiberglass insulation
- All open edges are sealed with a one-inch wide hook and loop fastening tape

Compressor Time-Off Control

- Kit prevents compressor short-cycling and allows time for suction and discharge pressure to equalize.
- Permits compressor start-up in an unloaded condition.
- Automatic reset with 5 minute delay between compressor shut-off and start-up

FEATURES

CABINET

- 6 • Heavy-gauge steel construction
- Pre-painted powder paint cabinet finish
- 7 • Louvered heavy gauge steel panels surround unit on all four sides
- Control box is conveniently located with all controls factory wired
- Corner patch plate allows access to compressor components
- Drainage holes are provided in base section for moisture removal

Zinc-Coated Steel Unit Base

- Resists rust and corrosion

8 Refrigerant Line Connections, Electrical Inlets and Service Valves

- Sweat connection suction and liquid lines
- Located on corner of unit cabinet
- Suction valve can be fully shut off, while liquid valve may be front seated to manage refrigerant charge while servicing system
- Refrigerant line connections and field wiring inlets are located in one central area of the cabinet
- See dimension drawing

Braze-Free/Press Fitting Flexibility

- Units can accommodate braze-free or press fittings for installation versatility

Optional Accessories

Unit Stand-Off Kit

- Black high density polyethylene feet are available to raise unit off of mounting surface away from damaging moisture
- Four feet are furnished per order number

CONTROLS

Optional Accessories

Thermostat

- Thermostat is not furnished with unit
- See Page 6

Blower Motor Relay Kit (for use with furnaces equipped with constant torque blower motors)

- Allows furnace blower speed changes when matched with two-stage air conditioners

Indoor Blower Speed Control Relay Kit

- Relay kit provides the option of changing blower speeds on standard permanent split capacitor (PSC) multi-tap blower motors during cooling operation
- Provides optimum humidity control conditions by automatically reducing indoor blower speed during continuous fan operation or low stage compressor operation to reduce humidity levels

Low Ambient Kit

- Air conditioners can operate down to 45°F outdoor air temperature without additional controls
- Allows unit to operate properly down to 30°F

NOTE - Crankcase heater and freezestat should be installed on compressors equipped with a low ambient kit.

NOTE - A Compressor Low Ambient Cut-Off Switch should be added to terminate compressor operation below recommended operation conditions.

CONTROL OPTIONS

E40 Smart Wi-Fi Thermostat

- 3 Htg.-2 Clg.
- 7-day, universal, programmable, touchscreen thermostat
- Controls dehumidification during cooling mode and humidification during heating mode
- Smooth Setback Recovery and compressor short-cycle protection
- One-Touch Away Mode, Smart Away™ (geo-fencing), equipment maintenance reminders and scheduling
- Smart home automation compatible with Amazon Alexa®, Google Assistant, Control4®, Building36®, Matter and IFTTT
- Lennox® Home App controls temperature, fan operation, set programs/schedules and set Away mode on a smartphone
- Lennox Smart Tech App allows the installer to commission the system and remotely turn the system on and off during setup or service call on a smartphone



M40 Smart Wi-Fi Thermostat

- 3 Htg.-2 Clg.
- 7-day, universal, programmable, touchscreen thermostat
- Smooth Setback Recovery and compressor short-cycle protection
- One-Touch Away Mode, Smart Away™ (geo-fencing), equipment maintenance reminders and scheduling
- Smart home automation compatible with Amazon Alexa®, Google Assistant, Control4®, Building36®, Matter and IFTTT
- Lennox® Home App controls temperature, fan operation, set programs/schedules and set Away mode on a smartphone
- Lennox Smart Tech App allows the installer to commission the system and remotely turn the system on and off during setup or service call on a smartphone



NOTE - Please refer to the individual Product Specifications for these products for full information.

CONTROLS - ORDERING

E40 Smart Wi-Fi Thermostat	3-3/8 x 5-3/8 x 1	30L26
Lennox® Smart Room Sensor	4 x 5-1/2 x 3	22V25
Lennox® Smart Air Quality Monitor	3-5/8 x 4-3/8 x 1-3/8	21P02
Lennox® Wireless Extender	4 x 5-1/2 x 2-1/2	22V26
M40 Smart Wi-Fi Thermostat	3-5/16 x 4-5/16 x 7/8	30L27
Thermostat Accessories		
¹ Discharge Air Temperature Sensor (For E40)		88K38
² Remote Outdoor Air Temperature Sensor (For dual-fuel and Humiditrol®)		X2658

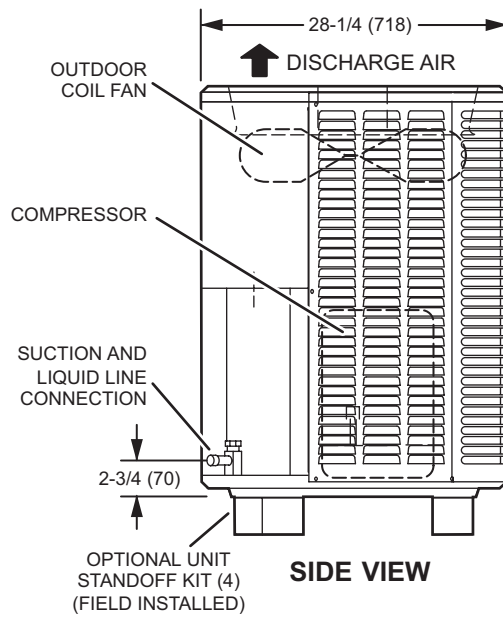
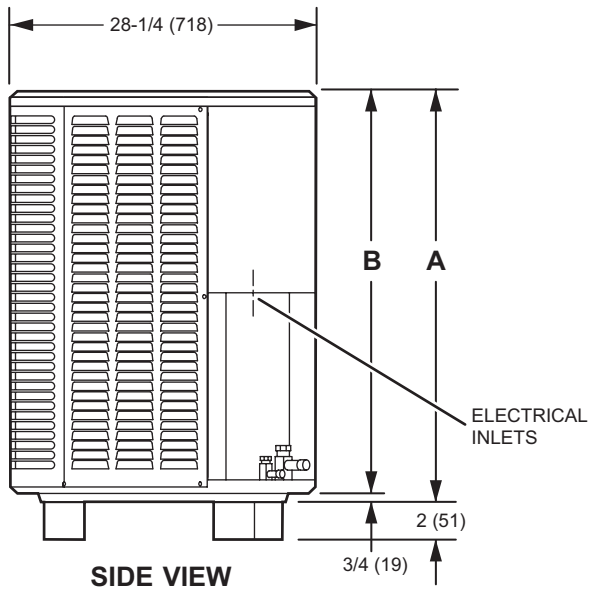
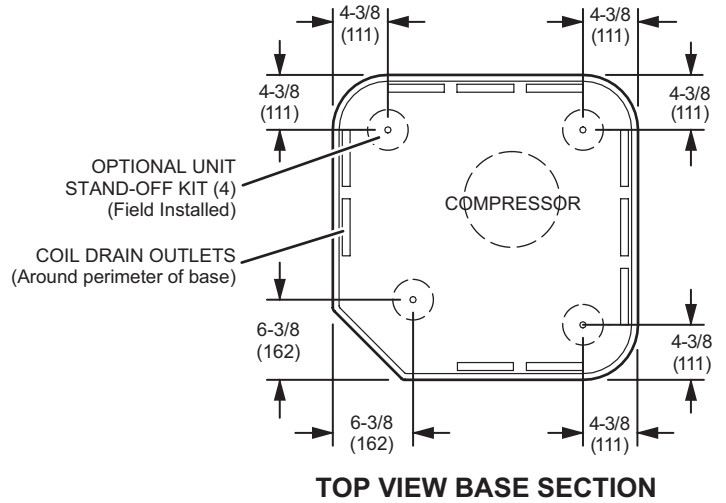
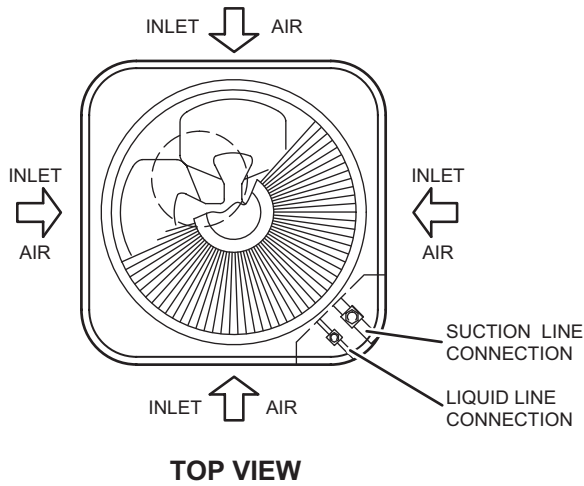
¹ Optional for service diagnostics (E40).

² Remote Outdoor Air Temperature Sensor is used with conventional (non-Lennox® Communicating) outdoor units (sensor is furnished with Lennox® Communicating outdoor units). Allows the thermostat to display outdoor temperature. Required in dual-fuel and Humiditrol® applications.

SPECIFICATIONS						
Size		024	036	048	060	
Nominal Tonnage		2	3	4	5	
Sound Rating Number (dBA)	Low	73	71	75	76	
	High	75	73	74	75	
Connections (Sweat)	Liquid line (OD) - in.	3/8	3/8	3/8	3/8	
	Suction line (OD) - in.	3/4	7/8	7/8	1-1/8	
Compressor Type		2-Stage Scroll	2-Stage Scroll	2-Stage Scroll	2-Stage Scroll	
Refrigerant (15 ft. Line Set)	¹ R-454B charge furnished	6 lbs. 4 oz.	6 lbs. 8 oz.	7 lbs. 14 oz.	9 lbs. 5 oz.	
Refrigerant (30 ft. Line Set)	¹ R-454B charge furnished	6 lbs. 13 oz.	7 lbs. 1 oz.	8 lbs. 7 oz.	9 lbs. 14 oz.	
Indoor Unit Expansion Valve (TXV)		26Z70	26Z70	26Z71	26Z72	
Outdoor Coil	Net face area - ft. ²	Outer coil	16.33	16.33	16.33	24.93
		Inner coil	15.75	15.75	15.75	24.13
	Tube diameter - in.	5/16	5/16	5/16	5/16	
	Rows	2	2	2	2	
	Fins - in.	22	22	22	22	
Outdoor Fan	HP	Diameter - in.	1/6	1/8	1/6	1/4
		Blades	22	22	22	22
	Cfm	3	3	3	3	
	Rpm	2960	2890	3200	3620	
	Watts	825	825	825	825	
		200	165	240	265	
Shipping Data - lbs.		185	188	206	246	
ELECTRICAL DATA						
	Line voltage data (Volts-Phase-Hz)	208/230-1-60	208/230-1-60	208/230-1-60	208/230-1-60	
	² Maximum overcurrent protection (MOCP) amps	20	30	40	50	
	³ Minimum circuit ampacity (MCA)	13.8	18.9	23.9	33.2	
Compressor	Rated load amps	10.3	14.6	18.3	25.2	
	Locked rotor amps	62	90	138	147.3	
Fan Motor	Full load amps	1	0.74	1	1.7	
	Locked rotor amps	1.9	1.65	1.9	3.2	
OPTIONAL ACCESSORIES - ORDER SEPARATELY						
Compressor Crankcase Heater	27V63	•	•			
	27P59			•		
Compressor Hard Start Kit	Copeland 10J42	•	•	•		
	28V41				•	
Compressor Low Ambient Cut-Off Switch	45F08	•	•	•	•	
Compressor Sound Cover	18J42	•	•	•	•	
Compressor Timed-Off Control	47J27	•	•	•	•	
Freezestat	3/8 in. 93G35	•	•	•	•	
Blower Motor Relay Kit	85W66	•	•	•	•	
Indoor Blower Speed Control Relay Kit	40K58	•	•	•	•	
Loss of Charge Switch Kit	84M23	•	•	•	•	
⁴ Low Ambient Kit (Fan Cycling)	34M72	•	•	•	•	
Refrigerant Line Sets	3/8 x 3/4 3/8 20 ft. 89J56					
	3/8 x 3/4 3/8 30 ft. 89J57	•				
	3/8 x 3/4 3/8 50 ft. 89J59					
	3/8 x 7/8 3/8 30 ft. 89J60		•			
	3/8 x 7/8 3/8 50 ft. 89J62			•		
	3/8 x 1-1/8 x 3/8 50 ft. 73P91				•	
Unit Stand-Off Kit	94J45	•	•	•	•	

NOTE - Extremes of operating range are plus 10% and minus 5% of line voltage.
¹ Refrigerant charge sufficient for the line set length listed in parenthesis. For longer line set requirements see the Installation Instructions or unit Charging Label for information about line set length and additional refrigerant charge required.
² HACR type breaker or fuse.
³ Refer to National or Canadian Electrical Code manual to determine wire, fuse and disconnect size requirements.
⁴ Crankcase Heater and Freezestat are recommended with Low Ambient Kit.

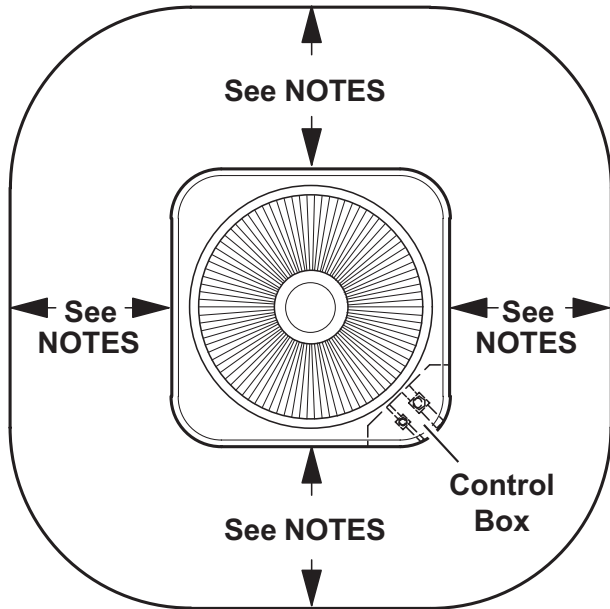
DIMENSIONS - UNIT



Size	A Height		B	
	inches	mm	inches	mm
024	29-1/4	743	28-1/4	718
036	29-1/4	743	28-1/4	718
048	29-1/4	743	28-1/4	718
060	43-1/4	1099	32-1/4	819

INSTALLATION CLEARANCES

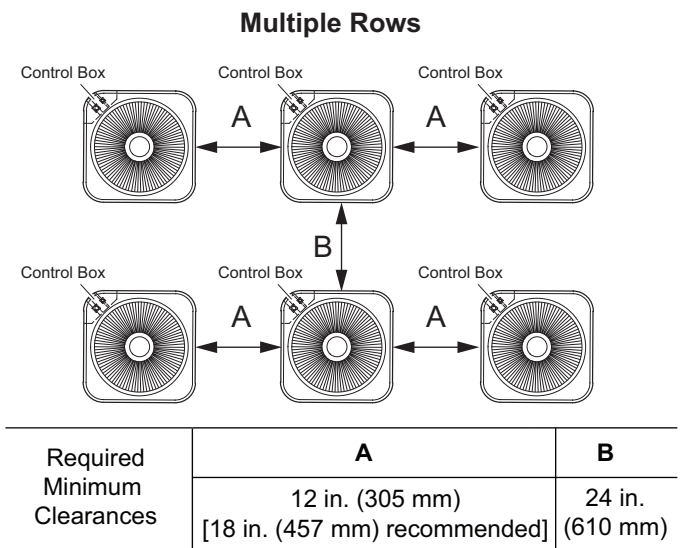
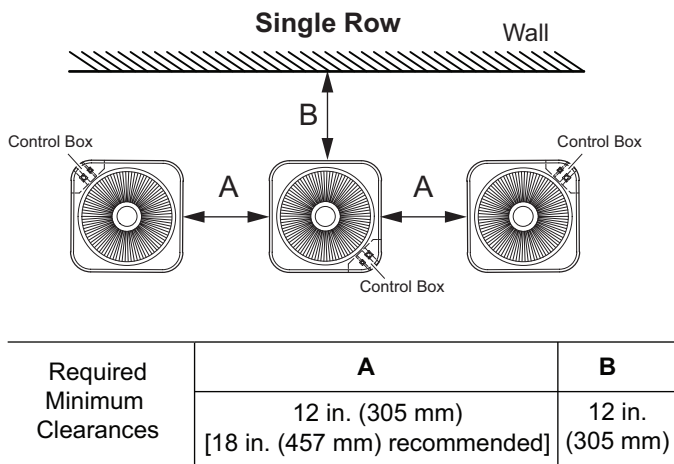
SINGLE-UNIT INSTALLATION



Single-Unit Installation Notes:

- Service Clearance - 24 in. (610 mm) on one of the sides adjacent to the Control Box.
- One of other three sides must be 36 in. (914 mm).
- One of the two remaining sides may be 12 in. (305 mm).
- The remaining side may be 6 in. (152 mm).
- 48 in. (1219 mm) clearance required on top of unit.

MULTI-UNIT INSTALLATIONS



Multi-Unit Installation Notes:

- Recommended service clearance of 24 in. (610 mm) on one side.
- 48 in. (1219 mm) clearance required on top of the unit.

SOUND DATA

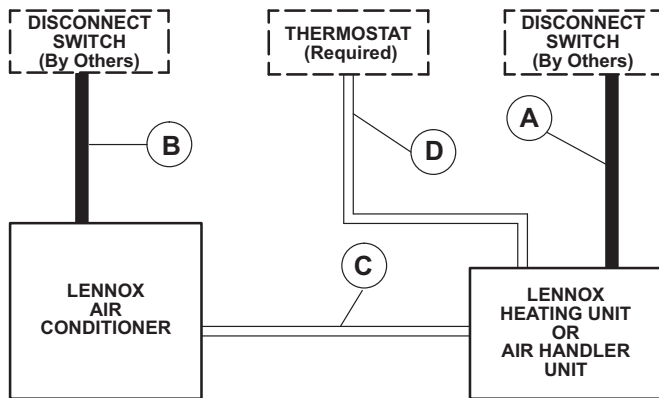
Size	Octave Band Sound Power Levels dBA, re 10 ⁻¹² Watts Center Frequency - HZ							¹ Sound Rating Number (dBA)	² Estimated Sound Pressure Level at Distance From Unit (dBA at distance in ft.)				
	125	250	500	1000	2000	4000	8000		3	5	10	15	50
024 Low	56.1	63.7	67.8	67.2	65.4	62.1	61.3	73	66	61	55	52	41
024 High	56.5	63	67.2	71.4	67.7	63.2	59	75	68	63	57	54	43
036 Low	54.8	62.2	66.9	66.2	63	58.4	54.5	71	64	59	53	50	39
036 High	54.6	61.5	66.8	69.2	63.3	58.3	54.3	73	66	61	55	52	41
048 Low	57.8	63.9	69.5	70.7	66.4	63.3	59.8	75	68	63	57	54	43
048 High	56.7	63.6	68.6	70.4	65.5	61.6	54.9	74	67	62	56	53	42
060 Low	57.8	64.2	70.7	69.8	67.4	66	61.9	76	69	64	58	55	44
060 High	57.6	63.1	69.2	70.9	67	64.4	59.2	75	68	63	57	54	43

NOTE - The octave sound power data does not include tonal correction.

¹ Tested according to AHRI Standard 270 test conditions. Sound rating Number is the overall A-Weighted Sound Power Level, (LWA), dB (100 Hz to 10,000 Hz).

² Estimated sound pressure level at distance based on AHRI Standard 275 method for equipment located on the ground, roof, or on side of building wall with no adjacent reflective surface within 9.8 feet. Sound pressure levels will increase based on changes to assumptions. For other applications, refer to AHRI Standard 275.

FIELD WIRING



- A - Two Wire Power (not furnished). See Indoor Unit Electrical Data
- B - Two Wire Power (not furnished). See Electrical Data
- C - Four Wire Low Voltage (not furnished). 18 ga. minimum
- D - Five Wire Low Voltage (not furnished). 18 ga. minimum

All wiring must conform to NEC or CEC and local electrical codes.

TXV USAGE

All Lennox coils and air handlers are shipped with a factory installed TXV. In most cases, no substitution is needed. If a different size TXV is required, it will be listed in the "TXV SUBSTITUTION" table by size. The correct TXV must be ordered separately and field installed.

Size	Order Number
024	26Z70
036	26Z70
048	26Z71
060	26Z72

AHRI STANDARD 210-240-2023

Standard Ratings relating to cooling or heating capacities shall be net values, including the effects of circulating-fan heat, but not including supplementary electric heat. Power input used for calculating efficiency shall be the Total Power.

Standard Ratings of units which do not have indoor air-circulating fans furnished as part of the model, i.e., Coil-only System, shall be established by subtracting from the total cooling capacity 1,505 Btu/h per 1,000 SCFM, and by adding the same amount to the heating capacity for non-mobile-home, non-Space Constrained units. Total Power for both heating and cooling shall be increased by 441 W per 1,000 SCFM of indoor air circulated.

TXV SUBSTITUTION - R-454B

A general guide for replacing the factory installed R-454B TXV if the indoor unit (coil/air handler) is larger or smaller than the outdoor unit.

Outdoor Unit		Indoor Unit		Indoor TXV Furnished	Indoor TXV Replacement
Size	Tons	Size	Tons		
024	2	42	3.5	26Z71	26Z70
024	2	48	4	26Z71	26Z70
024	2	49	4	26Z71	26Z70
024	2	50/60	4/5	26Z71	26Z70
024	2	51/61	4/5	26Z71	26Z70
024	2	60	5	26Z72	26Z70
036	3	42	3.5	26Z71	26Z70
036	3	48	4	26Z71	26Z70
036	3	49	4	26Z71	26Z70
036	3	50/60	4/5	26Z71	26Z70
036	3	51/61	4/5	26Z71	26Z70
036	3	60	5	26Z72	26Z70
048	4	30/36	2.5/3	26Z70	26Z71
048	4	36	3	26Z70	26Z71
048	4	60	5	26Z72	26Z71
060	5	50/60	4/5	26Z71	26Z72
060	5	51/61	4/5	26Z71	26Z72

TXV Ranges:

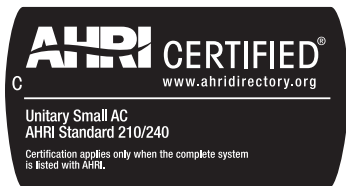
26Z70 - 1.5 to 3 ton systems - Use on 3 ton (036) and lower systems.

26Z71 - 3.5-4 ton systems - Use on 4 ton (048) and down to 3.5 ton (042) systems.

26Z72 - 5 ton systems - Use on 5 ton (060) systems only.

REVISIONS

Sections	Description of Change
Sound Data	Updated.



Visit us at www.Lennox.com

For the latest technical information, www.LennoxPros.com

Contact us at 1-800-9-LENNOX

NOTE - Due to Lennox' ongoing commitment to quality, Specifications, Ratings and Dimensions subject to change without notice and without incurring liability. Improper installation, adjustment, alteration, service or maintenance can cause property damage or personal injury. Installation and service must be performed by a qualified installer and servicing agency.

©2026 Lennox Industries, Inc.