



538167-02

01

02

03

04

05

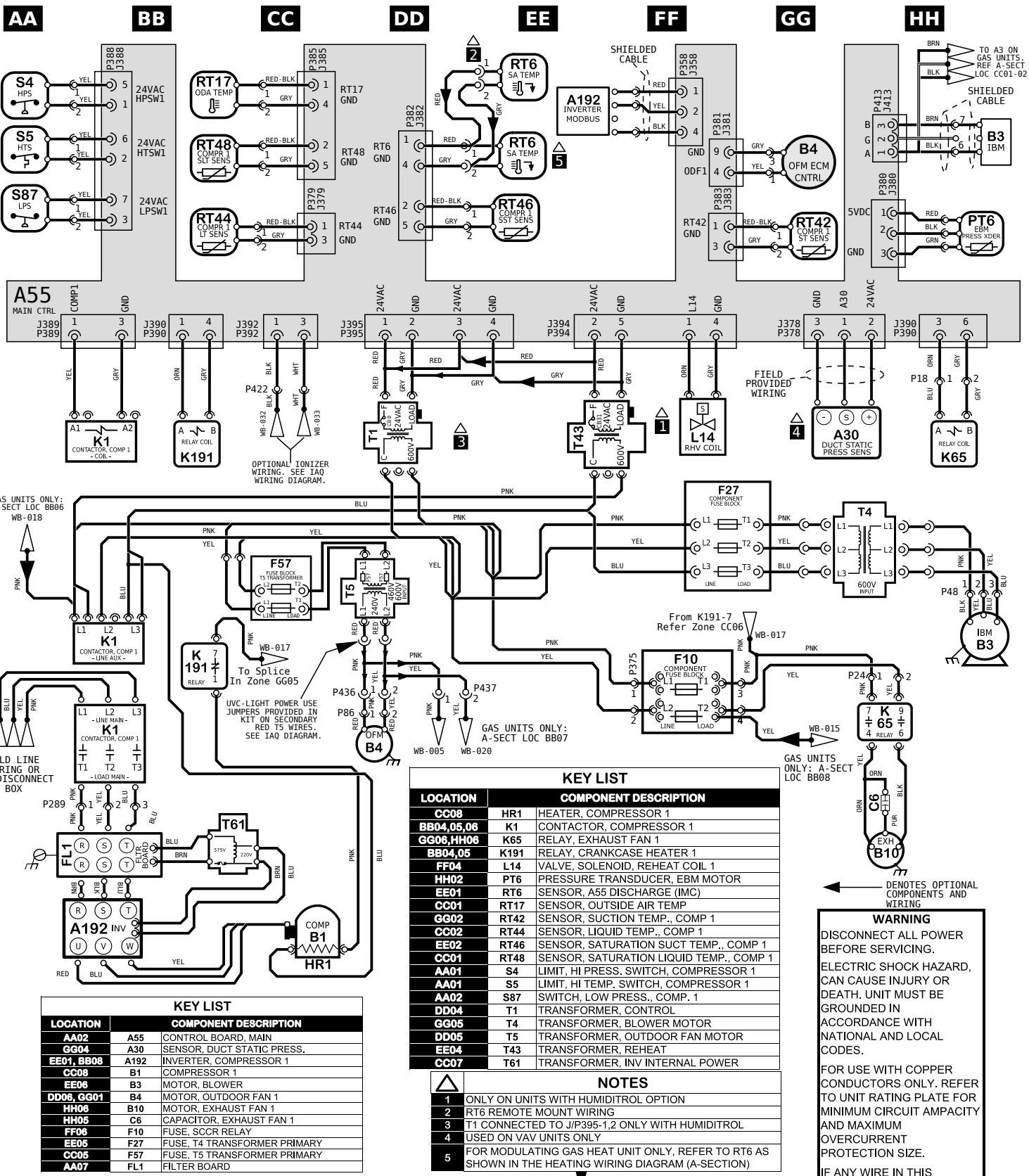
06

07

08

09

10



**KEY LIST**

| LOCATION   | COMPONENT DESCRIPTION                        |
|------------|--|
| CC08       | HR1 HEATER, COMPRESSOR 1                     |
| BB04,05,06 | K1 CONTACTOR, COMPRESSOR 1                   |
| GG06,HH06  | K65 RELAY, EXHAUST FAN 1                     |
| BB04,05    | K191 RELAY, CRANKCASE HEATER 1               |
| FF04       | L14 VALVE, SOLENOID, REHEAT COIL 1           |
| HH02       | PT6 PRESSURE TRANSDUCER, EBM MOTOR           |
| EE01       | RT6 SENSOR, A55 DISCHARGE (IMC)              |
| CC01       | RT17 SENSOR, OUTSIDE AIR TEMP                |
| GG02       | RT42 SENSOR, SUCTION TEMP., COMP 1           |
| CC02       | RT44 SENSOR, LIQUID TEMP., COMP 1            |
| EE02       | RT46 SENSOR, SATURATION SUCT TEMP., COMP 1   |
| CC01       | RT48 SENSOR, SATURATION LIQUID TEMP., COMP 1 |
| AA01       | S4 LIMIT, HI PRESS. SWITCH, COMPRESSOR 1     |
| AA01       | S5 LIMIT, HI TEMP. SWITCH, COMPRESSOR 1      |
| AA02       | S87 SWITCH, LOW PRESS., COMP. 1              |
| DD04       | T1 TRANSFORMER, CONTROL                      |
| GG05       | T4 TRANSFORMER, BLOWER MOTOR                 |
| DD05       | T5 TRANSFORMER, OUTDOOR FAN MOTOR            |
| EE04       | T43 TRANSFORMER, REHEAT                      |
| CC07       | T61 TRANSFORMER, INV INTERNAL POWER          |

**NOTES**

- ONLY ON UNITS WITH HUMIDITROL OPTION
- RT6 REMOTE MOUNT WIRING
- T1 CONNECTED TO J/P395-1,2 ONLY WITH HUMIDITROL
- USED ON VAV UNITS ONLY
- FOR MODULATING GAS HEAT UNIT ONLY, REFER TO RT6 AS SHOWN IN THE HEATING WIRING DIAGRAM (A-SECTION)

**KEY LIST**

| LOCATION   | COMPONENT DESCRIPTION            |
|------------|----------------------------------|
| AA02       | A55 CONTROL BOARD, MAIN          |
| GG04       | A30 SENSOR, DUCT STATIC PRESS.   |
| EE01, BB08 | A192 INVERTER, COMPRESSOR 1      |
| CC08       | B1 COMPRESSOR 1                  |
| EE06       | B3 MOTOR, BLOWER                 |
| DD06, GG01 | B4 MOTOR, OUTDOOR FAN 1          |
| HH06       | B10 MOTOR, EXHAUST FAN 1         |
| HH05       | C6 CAPACITOR, EXHAUST FAN 1      |
| FF06       | F10 FUSE, SCCR RELAY             |
| EE05       | F27 FUSE, T4 TRANSFORMER PRIMARY |
| CC05       | F57 FUSE, T5 TRANSFORMER PRIMARY |
| AA07       | FL1 FILTER BOARD                 |

|           |           |            |           |           |
|-----------|-----------|------------|-----------|-----------|
| HEATING   | COOLING   | COOLING    | ACCS      | ACCS      |
| SECTION A | SECTION B | SECTION B3 | SECTION C | SECTION D |

**WIRING DIAGRAM FLOW**

**WARNING**

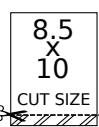
DISCONNECT ALL POWER BEFORE SERVICING.

ELECTRIC SHOCK HAZARD, CAN CAUSE INJURY OR DEATH. UNIT MUST BE GROUNDED IN ACCORDANCE WITH NATIONAL AND LOCAL CODES.

FOR USE WITH COPPER CONDUCTORS ONLY. REFER TO UNIT RATING PLATE FOR MINIMUM CIRCUIT AMPACITY AND MAXIMUM OVERCURRENT PROTECTION SIZE.

IF ANY WIRE IN THIS APPLIANCE IS REPLACED, IT MUST BE REPLACED WITH WIRE OF LIKE SIZE, RATING AND INSULATION THICKNESS.

Model: LCM, LGM 036U - 074U J VOLT Cooling Diagram with Higher SCCR  
 Voltage: 600/3/60 (J)  
 Supersedes: N/A Form No: 538167-02 Rev: 3



| REV | EC NO.      | DATE       | BY  | APVD | REVISION NOTE                               |
|-----|-------------|------------|-----|------|---|
| --  | CN-008852AS | 01/10/2023 | AXL | AAH  | ORIGINATED AT PD&R CARROLLTON, TX           |
| 2   | CN-014014F  | 1/6/2026   | ZN  | AWH  | A) CLEANED UP WIRES TO GAS SECTION (A-SECT) |
| 3   | CN-013731A  | 3/3/2026   | ZN  | HMT  | A) ADDED NOTE 5 FOR MODULATING GAS HEAT     |

