

# LENNOX®

PRODUCT LITERATURE

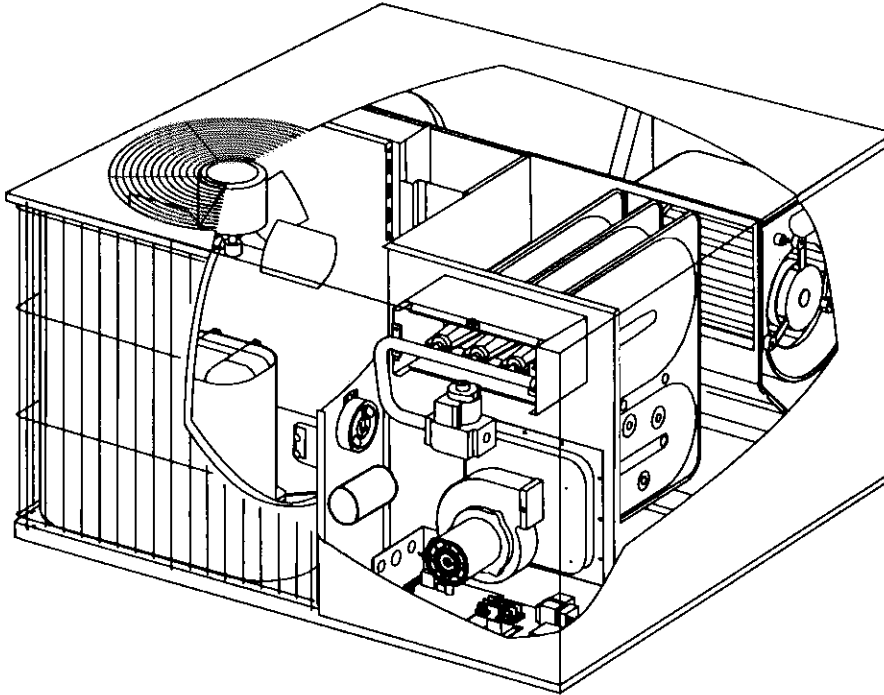
©1995 Lennox Industries Inc.  
Dallas, Texas

503,569M  
10/96  
Supersedes 503,414M

## USER'S INFORMATION MANUAL

# GCS29 SERIES

**GAS / ELECTRIC  
PACKAGED  
UNITS**



**RETAIN THESE INSTRUCTIONS  
FOR FUTURE REFERENCE**

**TP** Technical  
Publications  
Litho U.S.A.



### **⚠ WARNING**

If the information in this manual is not followed exactly, a fire or explosion may result causing property damage, personal injury or loss of life.



Do not store or use gasoline or other flammable vapors and liquids in the vicinity of this or any other appliance.

Installation and service must be performed by a qualified installer, service agency or the gas supplier.

### **WHAT TO DO IF YOU SMELL GAS:**

- Do not try to light any appliance.
- Extinguish any open flames.
- Do not touch any electrical switch; do not use any phone in your building.
- Immediately call your gas supplier from a neighbor's phone. Follow the gas supplier's instructions.
- If you cannot reach your gas supplier, call the fire department.

## GCS29 PARTS ARRANGEMENT

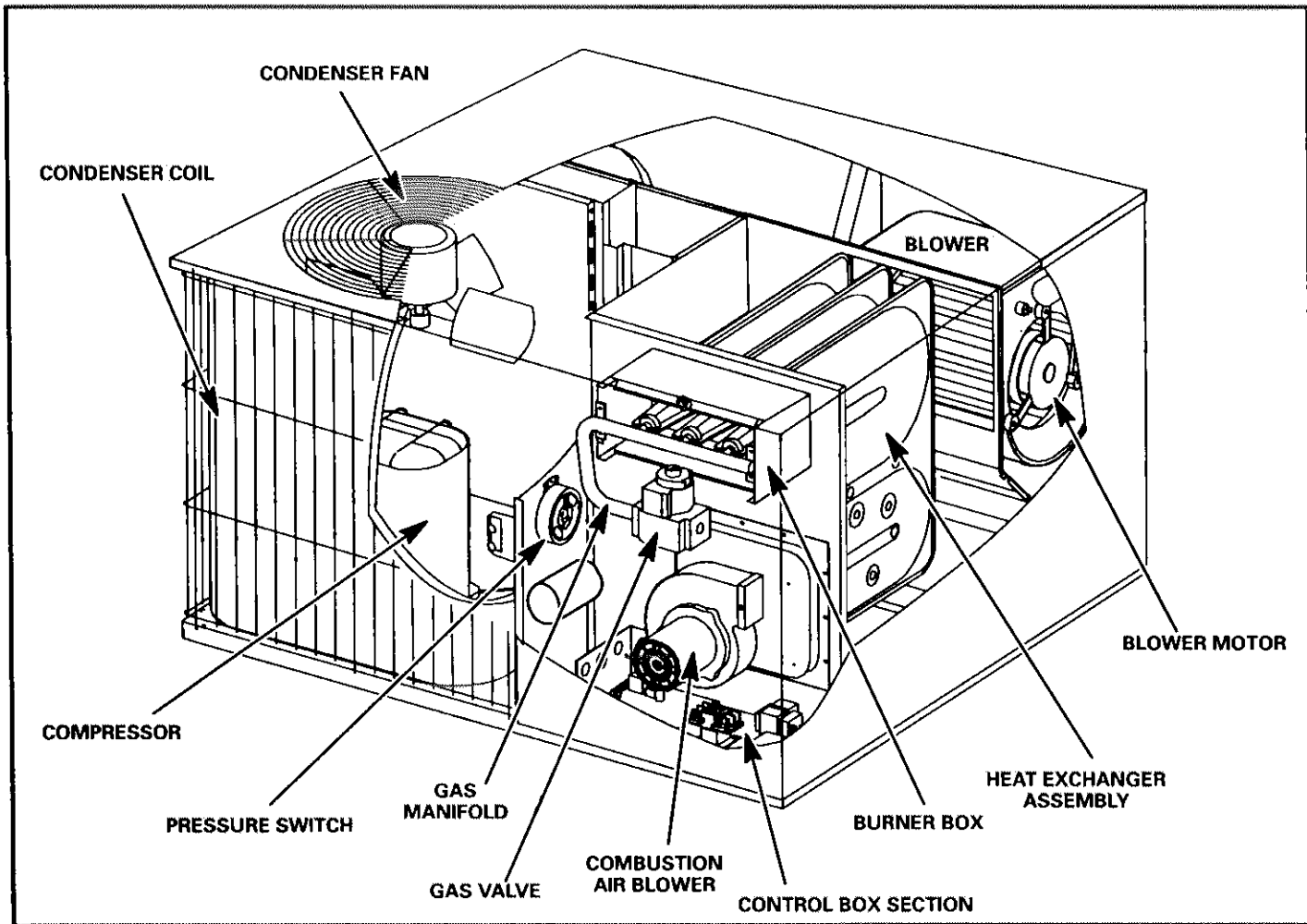


FIGURE 1

### **⚠ WARNING**

Product contains fiberglass wool.

Disturbing the insulation in this product during installation, maintenance, or repair will expose you to fiberglass wool. Breathing this may cause lung cancer. (Fiberglass wool is known to the State of California to cause cancer.)

Fiberglass wool may also cause respiratory, skin, and eye irritation.

To reduce exposure to this substance or for further information, consult material safety data sheets available from address shown below, or contact your supervisor.

Lennox Industries Inc.  
P.O. Box 799900  
Dallas, TX 75379-9900

### **⚠ IMPORTANT**

Any additions, changes, or conversions required in order for the appliance to satisfactorily meet the application needs must be made by a Lennox service technician using factory specified and approved parts.

### **IMPORTANT DIRECTIONS**

Keep the area clean and free of combustible material, gasoline, and other flammable vapors and liquids. The flow of combustion and ventilation air must not be obstructed from entering the furnace or condenser coil. Do not permit overhanging structures or shrubs to obstruct condenser fan discharge, combustion air inlet or vent outlet.

## HEATING START-UP

FOR YOUR SAFETY READ BEFORE LIGHTING

BEFORE LIGHTING smell all around the appliance area for gas. Be sure to smell next to the floor because some gas is heavier than air and will settle on the floor.

### ! WARNING



Electric shock hazard. Can cause injury or death. Do not use this furnace if any part has been under water. Immediately call a qualified service technician to inspect the furnace and to replace any part of the control system and any gas control which has been under water.

### ! WARNING



Danger of explosion. Can cause injury or product or property damage. If overheating occurs or if gas supply fails to shut off, shut off the manual gas valve to the appliance before shutting off electrical supply.

### ! WARNING



Danger of explosion and fire. Can cause injury or product or property damage. You must follow these instructions exactly.

### ! WARNING



Electric shock hazard. Can cause injury or death. Before attempting to perform any service or maintenance, turn the electrical power to unit OFF at disconnect switch(es). Unit may have multiple power supplies.

To place GCS29 unit into heating operation:

This appliance does not have a pilot. It is equipped with an ignition system which automatically lights the burner. Do not try to light by hand.

### Gas Valve Operation (Figures 3 and 4)

- 1 – **STOP!** Read the safety information at the beginning of this section.
- 2 – Set thermostat to lowest setting. See figure 2.

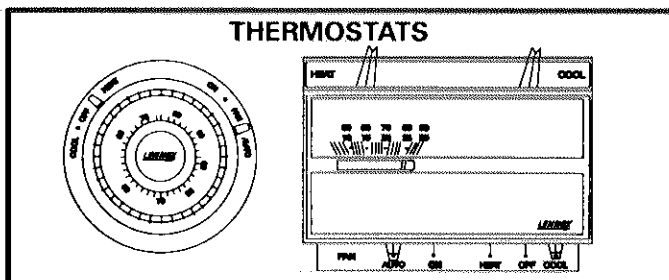
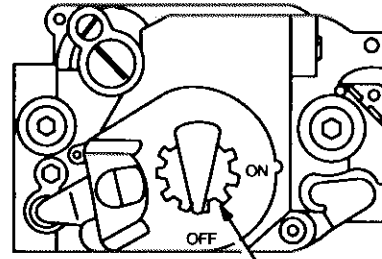


FIGURE 2

- 3 – Turn off all electrical power to appliance.
- 4 – This appliance is equipped with an ignition device which automatically lights the pilot. Do **not** try to light the pilot by hand.
- 5 – Remove burner compartment access panel.
- 6 – On Honeywell VR8205 gas valves, turn knob on gas valve clockwise to **OFF**. On Robertshaw 7200 gas valve, depress lever on gas control and move to **OFF** and release. Do not force. Refer to figures 3 and 4.

### HONEYWELL VR8205 SERIES GAS VALVE



GAS VALVE SHOWN IN OFF POSITION

FIGURE 3

### ROBERTSHAW 7200 GAS VALVE

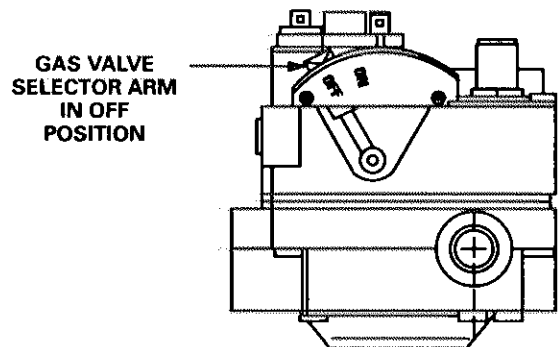


FIGURE 4

- 7 – Wait fifteen (15) minutes to clear out any gas. If you then smell gas, **STOP!** Immediately call your gas supplier from a neighbor's phone. Follow the gas supplier's instructions. If you do not smell gas go to next step.
- 8 – On Honeywell VR8205 gas valves, turn knob on gas valve counterclockwise to **ON**. On Robertshaw 7200 gas valve, depress lever on gas control and move to **ON** and release.
- 9 – Replace access panel.
- 10 – Turn on all electrical power to unit.
- 11 – Set thermostat to desired setting.
- 12 – If the appliance still will not operate, follow the instructions "To Turn Off Gas To Unit" and call your service technician or gas supplier.

## To Turn Off Gas To Unit

- 1 – Set thermostat to lowest setting.
- 2 – Turn off all electrical power to unit if service is to be performed.
- 3 – Remove burner compartment access panel.
- 4 – On Honeywell VR8205 gas valves, turn knob on gas valve clockwise to **OFF**. Do not force. On Robertshaw 7200 gas valve, depress lever on gas control and move to **OFF** and release.
- 5 – Replace access panel.

## FILTERS

Not supplied. Inspect once a month. Replace disposable or clean permanent type as necessary. **DO NOT** replace permanent type with disposable.

Unit is equipped with an internal filter clip which is located in indoor coil compartment attached to side of the unit drain pan.

**TABLE 1  
GCS29 UNIT FILTER SIZE**

GCS29 UNIT MODEL	FILTER SIZE
-024, -030, -036	24" X 25"
-042	28" X 25"
-048, -060	30" X 30"

## MAINTENANCE

### Normal Maintenance

Periodic inspection and maintenance normally consists of changing or cleaning filters and (under some conditions) cleaning the main burners.

## ⚠ WARNING

**Disconnect power before servicing unit.**

## ⚠ WARNING

**Improper installation, adjustment, alteration, service or maintenance can cause property damage, personal injury or loss of life. Installation and service must be performed by a qualified installer, service agency or the gas supplier.**

### Motors

Indoor, outdoor fan and vent motors are permanently lubricated and require no maintenance.

### Outdoor Coil

Dirt and debris should not be allowed to accumulate on the outdoor coil surface or other parts in the air circuit. Cleaning should be as often as necessary to keep the coil clean. Use a brush, vacuum cleaner attachment, or other suitable means. If water is used to clean the coil, be sure the power to unit is shut off prior to cleaning.

*NOTE – Care should be used when cleaning the coil so that the coil fins are not damaged.*

Do not permit the hot condenser air discharge to be obstructed by overhanging structures or shrubs.

### Heating System Inspection

It is the owner's responsibility to insure that an annual inspection of the entire heating portion of the unit is made by a qualified service agency. This should include inspection of the burner, heat exchanger and flue for any corrosion or soot accumulation which may require cleaning. The burner and controls should also be checked for proper operation.

### Vent Outlet

Visually inspect vent outlet periodically to make sure that the buildup of soot and dirt is not excessive. If necessary, clean to maintain adequate opening to discharge flue products.

### Burner Flame

The GCS29 burner flame is not adjustable; however, the flame should be inspected at the beginning of each heating season and burners should be cleaned, if necessary. Burner flame should be blue when burning natural gas.

### Venting System Inspection

Annually (before heating season) inspect furnace venting system, vent cap, heat exchanger and burners for corrosion, deterioration, or deposits of debris. Remove any obstructions.

Contact your Lennox dealer for a periodic unit inspection by a qualified service technician.

### Rollout Safety Switch

Your GCS29 gas/electric unit is equipped with a roll-out safety switch which shuts off the gas supply to the furnace in case of heat exchanger blockage. If the heating section of the unit fails to operate due to the functioning of this safety switch, **DO NOT** attempt to place the unit into operation. Contact a qualified service technician.

## SERVICE REMINDER

Call your service technician if unit is inoperative. Before calling, always check the following to be sure service is required.

- 1 – Check that electrical disconnect switches are **ON**.
- 2 – Check room thermostat for proper setting.
- 3 – Replace any blown fuses or reset circuit breakers.
- 4 – Gas valve should be **ON**.
- 5 – Air filter should not be plugged limiting air flow.
- 6 – Is gas turned on at meter?
- 7 – Is manual main shut-off valve open?

To keep your Lennox gas heating system in peak operating condition year after year, contact your independent Lennox dealer about a planned service program.